



Passive Components > Resistors > Probe Pads



Package Size Code: 1206

Product Height: 2 mm [.078 in]

Product Length: 3.2 mm [.125 in]

Product Width: 1.6 mm [.062 in]

EU RoHS Compliance: **Compliant**

Features

Packaging Features

Packaging Method	Taped & Reeled
------------------	----------------

Product Type Features

Element Type	Metal Strip
Package Size Code	1206

Dimensions

Product Height	2 mm [.078 in]
Product Length	3.2 mm [.125 in]
Product Width	1.6 mm [.062 in]

Other

EU RoHS Compliance	Compliant
EU ELV Compliance	Compliant

Product Compliance

[For compliance documentation, visit the product page on TE.com>](#)

EU RoHS Directive 2011/65/EU	Compliant
EU ELV Directive 2000/53/EC	Compliant
China RoHS 2 Directive MIIT Order No 32, 2016	No Restricted Materials Above Threshold
EU REACH Regulation (EC) No. 1907/2006	Current ECHA Candidate List: JUNE 2024 (241)



Candidate List Declared Against: JUNE 2024 (241)
Does not contain REACH SVHC

Halogen Content	Low Halogen - Br, Cl, F, I < 900 ppm per homogenous material. Also BFR/CFR/PVC Free
Solder Process Capability	Reflow solder capable to 260°C

Product Compliance Disclaimer

This information is provided based on reasonable inquiry of our suppliers and represents our current actual knowledge based on the information they provided. This information is subject to change. The part numbers that TE has identified as EU RoHS compliant have a maximum concentration of 0.1% by weight in homogenous materials for lead, hexavalent chromium, mercury, PBB, PBDE, DBP, BBP, DEHP, DIBP, and 0.01% for cadmium, or qualify for an exemption to these limits as defined in the Annexes of Directive 2011/65/EU (RoHS2). Finished electrical and electronic equipment products will be CE marked as required by Directive 2011/65/EU. Components may not be CE marked. Additionally, the part numbers that TE has identified as EU ELV compliant have a maximum concentration of 0.1% by weight in homogenous materials for lead, hexavalent chromium, and mercury, and 0.01% for cadmium, or qualify for an exemption to these limits as defined in the Annexes of Directive 2000/53/EC (ELV). Regarding the REACH Regulation, the information TE provides on SVHC in articles for this part number is based on the latest European Chemicals Agency (ECHA) 'Guidance on requirements for substances in articles' posted at this URL: <https://echa.europa.eu/guidance-documents/guidance-on-reach>

Compatible Parts



TE Part # 1625854-2
0805 PROBE PAD

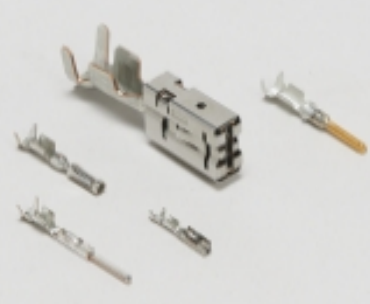


TE Part # 1625854-3
0603 PROBE PAD




TE Part # 1625854-1
1206 PROBE PAD

Also in the Series | CGS RC




Automotive Terminals(1)



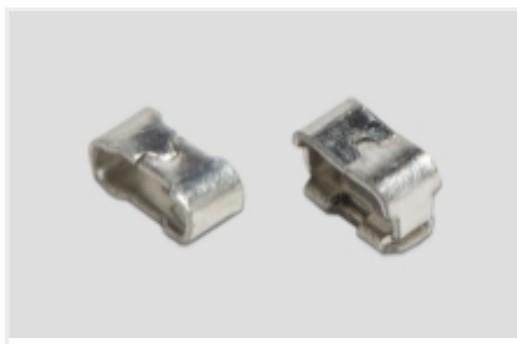
Connector Contacts(1)



DC Jack Connectors(1)



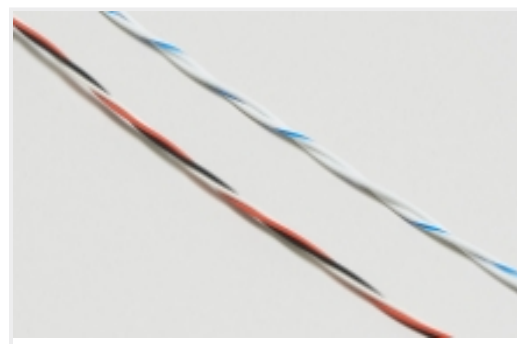
Power Cable(1)



Probe Pads(4)



Rack & Panel Connectors(1)



Twisted Pair Cable(6)

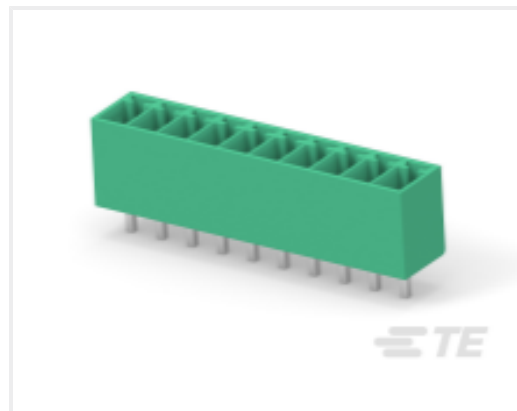
Customers Also Bought



TE Part #1-2176251-9
CRGS2010 5% 33R



TE Part #3-1676480-3
CRG0402 1% 220K



TE Part #1-2351886-0
10POS TB HDR 180 DEG, PITCH 3.5,
TL3.4mm



TE Part #2221760-6
AMPLIMITE IP67, SZ6, 90, 104 POS,
RCPT



TE Part #5-1617543-3
JMSCT-5XL=M28776/3-033L



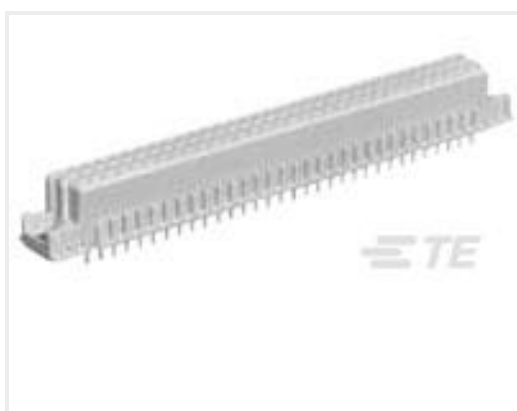
TE Part #9-2176088-6
RP 1J 0.166W 8K87 0.1% 25PPM 1K RL



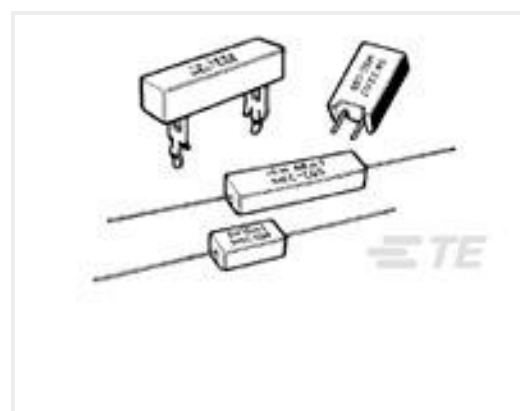
TE Part #NT-SMA-G
Connector Nut For SMA Connectors
Gold



TE Part #5177985-5
0.8FH,R05H.5,120,08/Sn,TR,SC



TE Part #4-1393637-6
V42254P2263C960=PC612 FEDERLEI



TE Part #1879068-1
SQB40 10R 5% (WIRE) 6.35MM
FASTON

Documents

Product Drawings

[1206 PROBE PAD](#)

English

CAD Files

[3D PDF](#)

3D

[Customer View Model](#)

[ENG_CVM_CVM_1625854-4_BA.2d_dxf.zip](#)



English

Customer View Model

[ENG_CVM_CVM_1625854-4_BA.3d_igs.zip](#)

English

Customer View Model

[ENG_CVM_CVM_1625854-4_BA.3d_stp.zip](#)

English

By downloading the CAD file I accept and agree to the [Terms and Conditions](#) of use.

Datasheets & Catalog Pages

[1309350_PASSIVE_COMPONENT](#)

English

[SMD Circuit Probe Pad - Type RC Series - Tyco Electronics Passives](#)

English