



Citec

TE Internal #: 1624334-1

TE Internal Description: LT73 3000 2A 1K0 5% 4KRL

[View on TE.com >](#)

Passive Components > Resistors > Thermistors



Resistance Value: **1K Ω**

Package Size Code: **0805**

EU RoHS Compliance: **Compliant**

EU ELV Compliance: **Compliant with Exemptions**

Features

Electrical Characteristics

Power Rating	.1 W
Passive Component Tolerance	5 %
Resistance Value	1K Ω

Product Type Features

Package Size Code	0805
-------------------	------

Other

EU RoHS Compliance	Compliant
EU ELV Compliance	Compliant with Exemptions

Product Compliance

[For compliance documentation, visit the product page on TE.com>](#)

EU RoHS Directive 2011/65/EU	Compliant
EU ELV Directive 2000/53/EC	Compliant with Exemptions
China RoHS 2 Directive MIIT Order No 32, 2016	No Restricted Materials Above Threshold
EU REACH Regulation (EC) No. 1907/2006	Current ECHA Candidate List: JUNE 2024 (241) Candidate List Declared Against: JUNE 2024 (241) Does not contain REACH SVHC
Halogen Content	Low Halogen - Br, Cl, F, I < 900 ppm per homogenous material. Also BFR/CFR/PVC Free

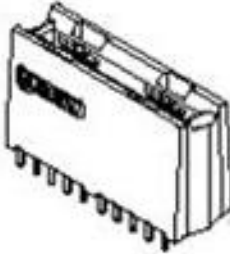
Solder Process Capability

Reflow solder capable to 260°C

Product Compliance Disclaimer

This information is provided based on reasonable inquiry of our suppliers and represents our current actual knowledge based on the information they provided. This information is subject to change. The part numbers that TE has identified as EU RoHS compliant have a maximum concentration of 0.1% by weight in homogenous materials for lead, hexavalent chromium, mercury, PBB, PBDE, DBP, BBP, DEHP, DIBP, and 0.01% for cadmium, or qualify for an exemption to these limits as defined in the Annexes of Directive 2011/65/EU (RoHS2). Finished electrical and electronic equipment products will be CE marked as required by Directive 2011/65/EU. Components may not be CE marked. Additionally, the part numbers that TE has identified as EU ELV compliant have a maximum concentration of 0.1% by weight in homogenous materials for lead, hexavalent chromium, and mercury, and 0.01% for cadmium, or qualify for an exemption to these limits as defined in the Annexes of Directive 2000/53/EC (ELV). Regarding the REACH Regulation, the information TE provides on SVHC in articles for this part number is based on the latest European Chemicals Agency (ECHA) 'Guidance on requirements for substances in articles' posted at this URL: <https://echa.europa.eu/guidance-documents/guidance-on-reach>

Customers Also Bought



TE Part #6651170-2
285-0102-11300=CONN,SKT,COMP



TE Part #62409-1
250 FASTON TAB TPBR



TE Part #L9000265-01
SMA Jack 50 Ohm .042 PCB Edge Mount



TE Part #5745988-4
09 MSFL RCPT RA 590 (IN,FM)



TE Part #3-1879501-5
CRGH2512 5% 27R 2W



TE Part #292336-1
Std USB Type A, Flag, T/H



TE Part #1-2176322-5
SMV 1W 1M5 5%



TE Part #6650534-1
287-0022-11300=TA CONN,SKT,COM

TE Part #6-1768413-0
LBG-U-02261/1/EET0832

TE Part #044965-E
STVSKO H F 181 ABGE 40A * EP03
3,50 * FE

Documents

[CAD Files](#)

[3D PDF](#)

[3D](#)



Customer View Model

[ENG_CVM_CVM_1624334-1_BA.2d_dxf.zip](#)

English

Customer View Model

[ENG_CVM_CVM_1624334-1_BA.3d_igs.zip](#)

English

Customer View Model

[ENG_CVM_CVM_1624334-1_BA.3d_stp.zip](#)

English

By downloading the CAD file I accept and agree to the [Terms and Conditions](#) of use.

Datasheets & Catalog Pages

[1309350_PASSIVE_COMPONENT](#)

English

[Temperature Sensing Chip Resistor \(PTC Thermistor Type LT73 Series\)](#)

English