



Neohm | Neohm UPW

TE Internal #: 1624323-5

120 ohm, Through-Hole Precision Resistor, Wire Wound, .5 W, .1 %, ±5 ppm/°C, Axial-Leaded, Copper Termination, 12.7 x 6.35 mm, Neohm UPW

[View on TE.com >](#)

Passive Components > Resistors > Through-Hole Resistors



Resistance Value: 120 Ω

Resistor Type: Precision Resistor

Element Type: Wire Wound

Power Rating: .5 W

Resistance Class: Up to 1kΩ

### Features

#### Usage Conditions

|                             |              |
|-----------------------------|--------------|
| Operating Temperature Range | -55 – 145 °C |
| Temperature Coefficient     | ±5 ppm/°C    |

#### Electrical Characteristics

|                             |           |
|-----------------------------|-----------|
| Operating Voltage           | 400 V     |
| Resistance Value            | 120 Ω     |
| Power Rating                | .5 W      |
| Resistance Class            | Up to 1kΩ |
| Passive Component Tolerance | .1 %      |

#### Product Type Features

|               |                    |
|---------------|--------------------|
| Resistor Type | Precision Resistor |
| Element Type  | Wire Wound         |

#### Configuration Features

|                     |   |
|---------------------|---|
| Number of Resistors | 1 |
|---------------------|---|

#### Body Features

|           |              |
|-----------|--------------|
| Lead Type | Axial-Leaded |
|-----------|--------------|

#### Termination Features

|                                |        |
|--------------------------------|--------|
| Termination Area Base Material | Copper |
| Number of Terminations         | 2      |



**Dimensions**

|                              |                |
|------------------------------|----------------|
| Passive Component Dimensions | 12.7 x 6.35 mm |
|------------------------------|----------------|

**Packaging Features**

|                  |                   |
|------------------|-------------------|
| Packaging Method | Loose Piece - Box |
|------------------|-------------------|

**Other**

|                    |           |
|--------------------|-----------|
| EU RoHS Compliance | Compliant |
| EU ELV Compliance  | Compliant |

**Product Compliance**

[For compliance documentation, visit the product page on TE.com>](#)

|                                               |                                                                                                                                |
|-----------------------------------------------|--------------------------------------------------------------------------------------------------------------------------------|
| EU RoHS Directive 2011/65/EU                  | Compliant                                                                                                                      |
| EU ELV Directive 2000/53/EC                   | Compliant                                                                                                                      |
| China RoHS 2 Directive MIIT Order No 32, 2016 | No Restricted Materials Above Threshold                                                                                        |
| EU REACH Regulation (EC) No. 1907/2006        | Current ECHA Candidate List: JUNE 2024 (241)<br>Candidate List Declared Against: JAN 2023 (233)<br>Does not contain REACH SVHC |
| Halogen Content                               | Low Halogen - Br, Cl, F, I < 900 ppm per homogenous material. Also BFR/CFR/PVC Free                                            |
| Solder Process Capability                     | Reflow solder capable to 260°C                                                                                                 |

Product Compliance Disclaimer

This information is provided based on reasonable inquiry of our suppliers and represents our current actual knowledge based on the information they provided. This information is subject to change. The part numbers that TE has identified as EU RoHS compliant have a maximum concentration of 0.1% by weight in homogenous materials for lead, hexavalent chromium, mercury, PBB, PBDE, DBP, BBP, DEHP, DIBP, and 0.01% for cadmium, or qualify for an exemption to these limits as defined in the Annexes of Directive 2011/65/EU (RoHS2). Finished electrical and electronic equipment products will be CE marked as required by Directive 2011/65/EU. Components may not be CE marked. Additionally, the part numbers that TE has identified as EU ELV compliant have a maximum concentration of 0.1% by weight in homogenous materials for lead, hexavalent chromium, and mercury, and 0.01% for cadmium, or qualify for an exemption to these limits as defined in the Annexes of Directive 2000/53/EC (ELV). Regarding the REACH Regulation, the information TE provides on SVHC in articles for this part number is based on the latest European Chemicals Agency (ECHA) 'Guidance on requirements for substances in articles' posted at this URL: <https://echa.europa.eu/guidance-documents/guidance-on-reach>

**Compatible Parts**

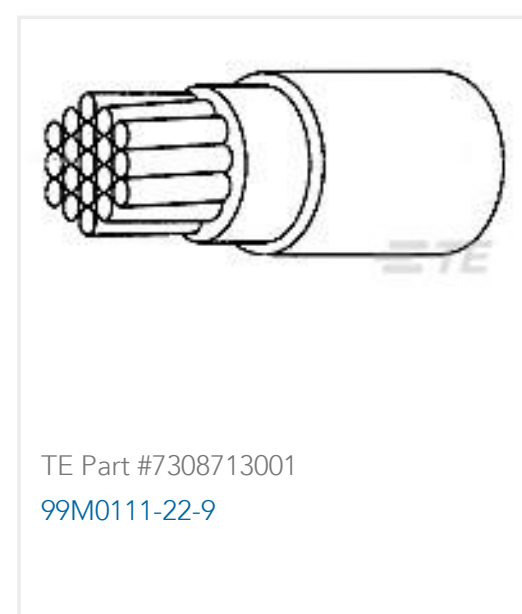


Also in the Series | **Neohm UPW**



[Through-Hole Resistors\(31\)](#)

Customers Also Bought





## Documents

### CAD Files

[3D PDF](#)

[3D](#)

#### Customer View Model

[ENG\\_CVM\\_CVM\\_1624323-5\\_BA.2d\\_dxf.zip](#)

English

#### Customer View Model

[ENG\\_CVM\\_CVM\\_1624323-5\\_BA.3d\\_igs.zip](#)

English

#### Customer View Model

[ENG\\_CVM\\_CVM\\_1624323-5\\_BA.3d\\_stp.zip](#)

English

By downloading the CAD file I accept and agree to the [Terms and Conditions](#) of use.

### Datasheets & Catalog Pages

[1309350\\_PASSIVE\\_COMPONENT](#)

English

[Ultra Precision Wire-Wound Resistors - Type UPW Series - Tyco Electronics Passives](#)

English