



Passive Components > Resistors > Surface Mount Resistors



Resistance Value: 1 Ω

Resistor Type: **Power Resistor**

Element Type: **Wire Wound**

Power Rating: **2.5 W**

Resistance Class: **Up to 1kΩ**

Features

Electrical Characteristics

Resistance Value	1 Ω
Power Rating	2.5 W
Resistance Class	Up to 1kΩ
Passive Component Tolerance	1 %

Product Type Features

Resistor Type	Power Resistor
Element Type	Wire Wound

Configuration Features

Number of Resistors	1
---------------------	---

Termination Features

Surface Mount Resistor Termination Type	Solder
Number of Terminations	2

Dimensions

Product Height	5.33 mm[.21 in]
Product Length	11.6 mm[.457 in]
Product Width	5.84 mm[.23 in]

Usage Conditions

Temperature Coefficient	±20 ppm/°C
-------------------------	------------



Packaging Features

Packaging Method	Taped & Reeled
------------------	----------------

Other

EU RoHS Compliance	Compliant
EU ELV Compliance	Compliant

Product Compliance

[For compliance documentation, visit the product page on TE.com>](#)

EU RoHS Directive 2011/65/EU	Compliant
EU ELV Directive 2000/53/EC	Compliant
China RoHS 2 Directive MIIT Order No 32, 2016	No Restricted Materials Above Threshold
EU REACH Regulation (EC) No. 1907/2006	Current ECHA Candidate List: JUNE 2024 (241) Candidate List Declared Against: JUNE 2023 (235) Does not contain REACH SVHC
Halogen Content	Low Halogen - Br, Cl, F, I < 900 ppm per homogenous material. Also BFR/CFR/PVC Free
Solder Process Capability	Reflow solder capable to 260°C

Product Compliance Disclaimer

This information is provided based on reasonable inquiry of our suppliers and represents our current actual knowledge based on the information they provided. This information is subject to change. The part numbers that TE has identified as EU RoHS compliant have a maximum concentration of 0.1% by weight in homogenous materials for lead, hexavalent chromium, mercury, PBB, PBDE, DBP, BBP, DEHP, DIBP, and 0.01% for cadmium, or qualify for an exemption to these limits as defined in the Annexes of Directive 2011/65/EU (RoHS2). Finished electrical and electronic equipment products will be CE marked as required by Directive 2011/65/EU. Components may not be CE marked. Additionally, the part numbers that TE has identified as EU ELV compliant have a maximum concentration of 0.1% by weight in homogenous materials for lead, hexavalent chromium, and mercury, and 0.01% for cadmium, or qualify for an exemption to these limits as defined in the Annexes of Directive 2000/53/EC (ELV). Regarding the REACH Regulation, the information TE provides on SVHC in articles for this part number is based on the latest European Chemicals Agency (ECHA) 'Guidance on requirements for substances in articles' posted at this URL: <https://echa.europa.eu/guidance-documents/guidance-on-reach>

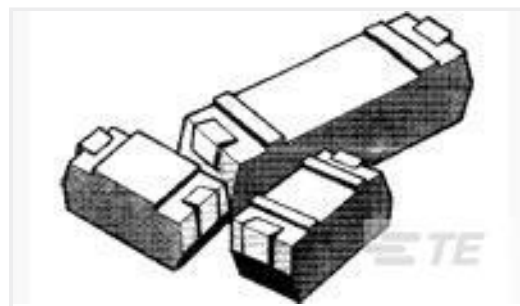
Compatible Parts



TE Part # 1624274-2
SP1 120R 1% TAPED



TE Part # 1624281-1
SP1 220R 5% TAPED

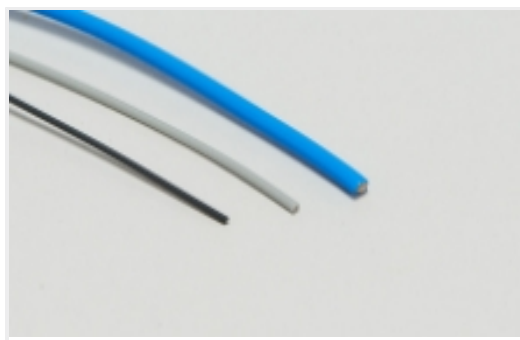


TE Part # 2-1624292-1
SP1 475R 0.1% TAPED



TE Part # 1624298-2
SP2 13R3 1%TAPED

Also in the Series | CGS SP



Hook Up Wire(5)



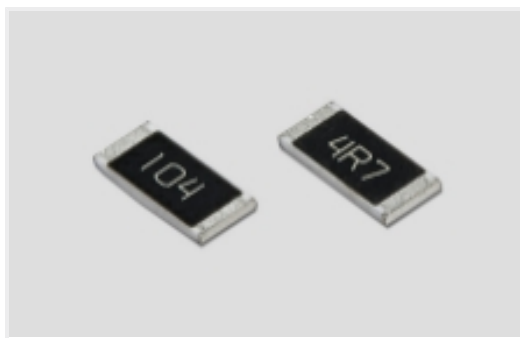
Power Cable(1)



RJ45 Connectors(9)



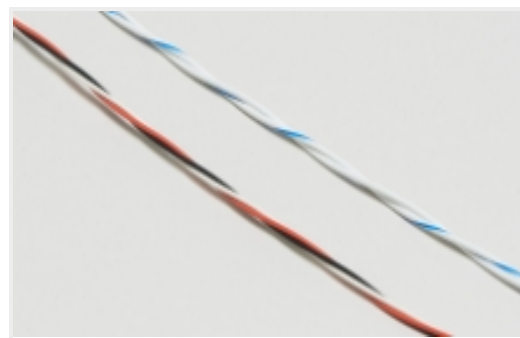
Standard Labels(8)



Surface Mount Resistors(36)



Through-Hole Resistors(1)



Twisted Pair Cable(1)

Customers Also Bought



TE Part #CAT-AM71-CH8172
AMP SUPERSEAL 1.5MM,
CONNECTOR HOUSING



TE Part #114017-ZZ
SEALING PLUG, SIZE 12/16, WHT



TE Part #DT04-2P
REC, 2P, GRY, N



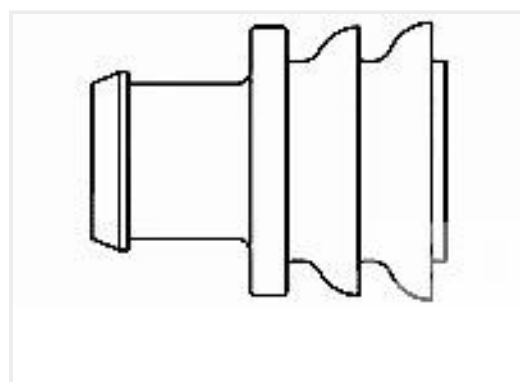
TE Part #DT06-2S
PLG, 2P, GRY, N



TE Part #CAT-D487-W416
Wedgelocks: DEUTSCH DT



TE Part #CAT-D48-ST273
DEUTSCH Solid Contacts



TE Part #281934-2
SINGLE WIRE SEAL



Documents

CAD Files

3D PDF

3D

Customer View Model

[ENG_CVM_CVM_1624300-1_BB.2d_dxf.zip](#)

English

Customer View Model

[ENG_CVM_CVM_1624300-1_BB.3d_igs.zip](#)

English

Customer View Model

[ENG_CVM_CVM_1624300-1_BB.3d_stp.zip](#)

English

By downloading the CAD file I accept and agree to the [Terms and Conditions](#) of use.

Datasheets & Catalog Pages

[1309350_PASSIVE_COMPONENT](#)

English

[SMD Precision Current Sense Resistor - Type S Series - Tyco Electronics Passives](#)

English

[SMD Moulded Power Resistor - Type SM Series - Tyco Electronics Passives](#)

English