



Sigma | Sigma SC

TE Internal #: 1624031-1

Radio Frequency Inductor, 68 μ H, 162 mA, 6.7 ohm DC Resistance, 10 %, Through Hole - Solder, Axial-Leaded, Ammo Packed, Sigma SC

[View on TE.com >](#)

Passive Components > Inductors > High Frequency & RF Inductors



Inductor Type: **Radio Frequency**

Inductance: **68 μ H**

Current Rating (Max): **162 mA**

DC Resistance: **6.7 Ω**

Inductor Quality Factor: **50**

Features

Usage Conditions

Operating Temperature Range	-55 – 100 °C
-----------------------------	--------------

Dimensions

Product Diameter	2.8 mm[.11 in]
Product Length	7 mm[.275 in]

Electrical Characteristics

Self Resonant Frequency	.015 GHz
Inductance	68 μ H
Current Rating (Max)	162 mA
DC Resistance	6.7 Ω
Passive Component Tolerance	10 %

Product Type Features

Inductor Type	Radio Frequency
Element Type	Wire Wound

Body Features

Lead Type	Axial-Leaded
-----------	--------------

Termination Features

Termination Method to PCB	Through Hole - Solder
---------------------------	-----------------------

Packaging Features

Packaging Method	Ammo Packed
------------------	-------------

Other

Inductor Quality Factor	50
EU RoHS Compliance	Compliant
EU ELV Compliance	Compliant

Product Compliance

[For compliance documentation, visit the product page on TE.com>](#)

EU RoHS Directive 2011/65/EU	Compliant
EU ELV Directive 2000/53/EC	Compliant
China RoHS 2 Directive MIIT Order No 32, 2016	No Restricted Materials Above Threshold
EU REACH Regulation (EC) No. 1907/2006	Current ECHA Candidate List: JUNE 2024 (241) Candidate List Declared Against: JUNE 2023 (235) Does not contain REACH SVHC
Halogen Content	BFR/CFR/PVC Free, but Br/Cl >900 ppm in other sources.
Solder Process Capability	Wave solder capable to 265°C

Product Compliance Disclaimer

This information is provided based on reasonable inquiry of our suppliers and represents our current actual knowledge based on the information they provided. This information is subject to change. The part numbers that TE has identified as EU RoHS compliant have a maximum concentration of 0.1% by weight in homogenous materials for lead, hexavalent chromium, mercury, PBB, PBDE, DBP, BBP, DEHP, DIBP, and 0.01% for cadmium, or qualify for an exemption to these limits as defined in the Annexes of Directive 2011/65/EU (RoHS2). Finished electrical and electronic equipment products will be CE marked as required by Directive 2011/65/EU. Components may not be CE marked. Additionally, the part numbers that TE has identified as EU ELV compliant have a maximum concentration of 0.1% by weight in homogenous materials for lead, hexavalent chromium, and mercury, and 0.01% for cadmium, or qualify for an exemption to these limits as defined in the Annexes of Directive 2000/53/EC (ELV). Regarding the REACH Regulation, the information TE provides on SVHC in articles for this part number is based on the latest European Chemicals Agency (ECHA) 'Guidance on requirements for substances in articles' posted at this URL: <https://echa.europa.eu/guidance-documents/guidance-on-reach>

Compatible Parts




TE Part # 1624019-2
SC30-10-2531-10 33UH AMMO 1000



TE Part # 1623937-3
SC10-10-0525-10 10UH AMMO 1000



TE Part # 1624023-2
SC30-10-2519-10 3.3UH AMMO 1000



TE Part # 1624009-2
SC30-10-2513-10 1UH AMMO 1000




TE Part # 1624001-3
SC30-10-2537-10 100UH AMMO 1000

Also in the Series | **Sigma SC**




High Frequency & RF Inductors(78)



LC Connectors(3)



Printable Tubing(9)



SC Connectors(5)

Customers Also Bought



TE Part #1624025-3
SC30-10-2533-10 47UH AMMO 1000



TE Part #2383942-5
TERMI-BLOK SMD MOUNT 180_5P_3.5 MM



TE Part #1624019-2
SC30-10-2531-10 33UH AMMO 1000



TE Part #1-2176363-6
RQ 0402 619R 0.1% 10PPM 5K RL



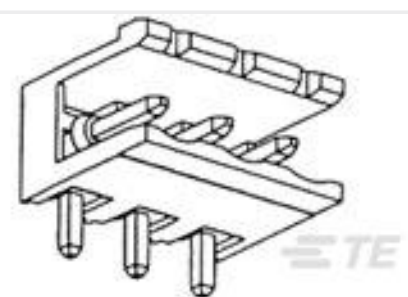
TE Part #2-2176263-2
RN 0402 40K2 0.1% 10PPM 5K RL



TE Part #1624001-3
SC30-10-2537-10 100UH AMMO 1000



TE Part #7-2176373-3
RQ 0805 56R2 0.1% 10PPM 1K RL



TE Part #282815-3
TERMI-BLOK HEADER, ASSY90 3P.5



Documents

CAD Files

[3D PDF](#)

3D

Customer View Model

[ENG_CVM_CVM_1624031-1_BA.2d_dxf.zip](#)

English

Customer View Model

[ENG_CVM_CVM_1624031-1_BA.3d_igs.zip](#)

English

Customer View Model

[ENG_CVM_CVM_1624031-1_BA.3d_stp.zip](#)

English

By downloading the CAD file I accept and agree to the [Terms and Conditions](#) of use.

Datasheets & Catalog Pages

[1309350_PASSIVE_COMPONENT](#)

English

[Axial Leaded Power Inductors - Type SC10, SC15, SC30 Series - Tyco Electronics Passives](#)

English