



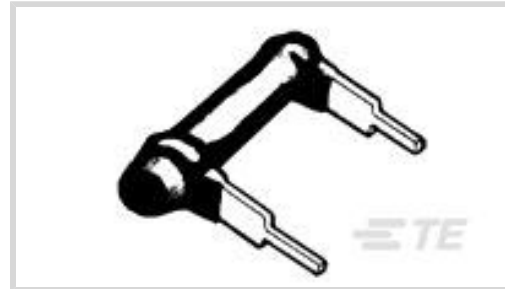
CGS

TE Internal #: 1623714-3

TE Internal Description: FCB4 10R 5% HP

[View on TE.com >](#)

Passive Components > Resistors > Through-Hole Resistors



Resistance Value: 10 Ω

Resistor Type: Power Resistor

Element Type: Wire Wound

Power Rating: 4 W

Resistance Class: Up to 1kΩ

Features

Electrical Characteristics

Resistance Value	10 Ω
Power Rating	4 W
Resistance Class	Up to 1kΩ
Passive Component Tolerance	5 %

Product Type Features

Resistor Type	Power Resistor
Element Type	Wire Wound

Configuration Features

Number of Resistors	1
---------------------	---

Body Features

Lead Type	Radial-Leaded Pluggable
-----------	-------------------------

Termination Features

Termination Area Base Material	Brass
Number of Terminations	2

Dimensions

Passive Component Dimensions	24.2 x 5 mm
------------------------------	-------------

Usage Conditions

Temperature Coefficient	-80 – 40 ppm/°C
-------------------------	-----------------

Packaging Features

Packaging Method	Loose Piece - Box
------------------	-------------------

Other

EU RoHS Compliance	Compliant
--------------------	-----------

EU ELV Compliance	Compliant
-------------------	-----------

Product Compliance

[For compliance documentation, visit the product page on TE.com>](#)

EU RoHS Directive 2011/65/EU	Compliant
------------------------------	-----------

EU ELV Directive 2000/53/EC	Compliant
-----------------------------	-----------

China RoHS 2 Directive MIIT Order No 32, 2016	No Restricted Materials Above Threshold
---	---

EU REACH Regulation (EC) No. 1907/2006	<p>Current ECHA Candidate List: JUNE 2024 (241)</p> <p>Candidate List Declared Against: JUNE 2022 (224)</p> <p>Does not contain REACH SVHC</p>
--	--

Halogen Content	Low Halogen - Br, Cl, F, I < 900 ppm per homogenous material. Also BFR/CFR/PVC Free
-----------------	---

Solder Process Capability	Wave solder capable to 265°C
---------------------------	------------------------------

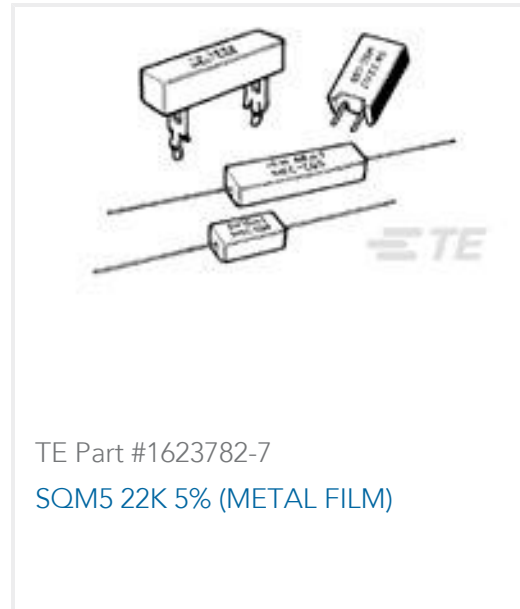
Product Compliance Disclaimer

This information is provided based on reasonable inquiry of our suppliers and represents our current actual knowledge based on the information they provided. This information is subject to change. The part numbers that TE has identified as EU RoHS compliant have a maximum concentration of 0.1% by weight in homogenous materials for lead, hexavalent chromium, mercury, PBB, PBDE, DBP, BBP, DEHP, DIBP, and 0.01% for cadmium, or qualify for an exemption to these limits as defined in the Annexes of Directive 2011/65/EU (RoHS2). Finished electrical and electronic equipment products will be CE marked as required by Directive 2011/65/EU. Components may not be CE marked. Additionally, the part numbers that TE has identified as EU ELV compliant have a maximum concentration of 0.1% by weight in homogenous materials for lead, hexavalent chromium, and mercury, and 0.01% for cadmium, or qualify for an exemption to these limits as defined in the Annexes of Directive 2000/53/EC (ELV). Regarding the REACH Regulation, the information TE provides on SVHC in articles for this part number is based on the latest European Chemicals Agency (ECHA) 'Guidance on requirements for substances in articles' posted at this URL: <https://echa.europa.eu/guidance-documents/guidance-on-reach>

Compatible Parts



Customers Also Bought



Documents

Product Drawings

[FCB4 10R 5% HP](#)

English

Datasheets & Catalog Pages

[1309350_PASSIVE_COMPONENT](#)

English