



Passive Components > Resistors > Surface Mount Resistors



Resistor Type: **General Purpose Resistor**

Element Type: **Thick Film**

Package Size Code: **1206**

Power Rating: **.25 W**

Resistance Value: **3.3 Ω**

Features

Product Type Features

Resistor Type	General Purpose Resistor
Element Type	Thick Film
Package Size Code	1206

Configuration Features

Number of Resistors	1
---------------------	---

Electrical Characteristics

Operating Voltage	200 V
Power Rating	.25 W
Resistance Value	3.3 Ω
Resistance Class	Up to 1kΩ
Passive Component Tolerance	1 %

Termination Features

Surface Mount Resistor Termination Type	Solder
Number of Terminations	2

Dimensions

Product Height	.55 mm[.022 in]
Product Length	3.1 mm[.122 in]
Product Width	1.55 mm[.061 in]



Usage Conditions

Temperature Coefficient	±200 ppm/°C
-------------------------	-------------

Packaging Features

Packaging Method	Taped & Reeled
------------------	----------------

Product Compliance

[For compliance documentation, visit the product page on TE.com>](#)

EU RoHS Directive 2011/65/EU	Compliant with Exemptions
EU ELV Directive 2000/53/EC	Not Compliant
China RoHS 2 Directive MIIT Order No 32, 2016	Restricted Materials Above Threshold
EU REACH Regulation (EC) No. 1907/2006	Current ECHA Candidate List: JUNE 2025 (250) Candidate List Declared Against: JUNE 2025 (250) Does not contain REACH SVHC
Halogen Content	Low Halogen - Br, Cl, F < 900 ppm per homogenous material. Also BFR/CFR/PVC Free
Solder Process Capability	Reflow solder capable to 260°C

Product Compliance Disclaimer

This information is provided based on reasonable inquiry of our suppliers and represents our current actual knowledge based on the information they provided. This information is subject to change. The part numbers that TE has identified as EU RoHS compliant have a maximum concentration of 0.1% by weight in homogenous materials for lead, hexavalent chromium, mercury, PBB, PBDE, DBP, BBP, DEHP, DIBP, and 0.01% for cadmium, or qualify for an exemption to these limits as defined in the Annexes of Directive 2011/65/EU (RoHS2). Finished electrical and electronic equipment products will be CE marked as required by Directive 2011/65/EU. Components may not be CE marked. Additionally, the part numbers that TE has identified as EU ELV compliant have a maximum concentration of 0.1% by weight in homogenous materials for lead, hexavalent chromium, and mercury, and 0.01% for cadmium, or qualify for an exemption to these limits as defined in the Annexes of Directive 2000/53/EC (ELV). Regarding the REACH Regulation, the information TE provides on SVHC in articles for this part number is based on the latest European Chemicals Agency (ECHA) 'Guidance on requirements for substances in articles' posted at this URL: <https://echa.europa.eu/guidance-documents/guidance-on-reach>

Compatible Parts

TE Part # 1623404-1
CRG1206 1% 10K

TE Part # 1622829-1
CRG0603 1% 10K

TE Part # 1-1622826-8
CRG0402 5% 1K0

TE Part # 1676480-1
CRG0402 1% 100K



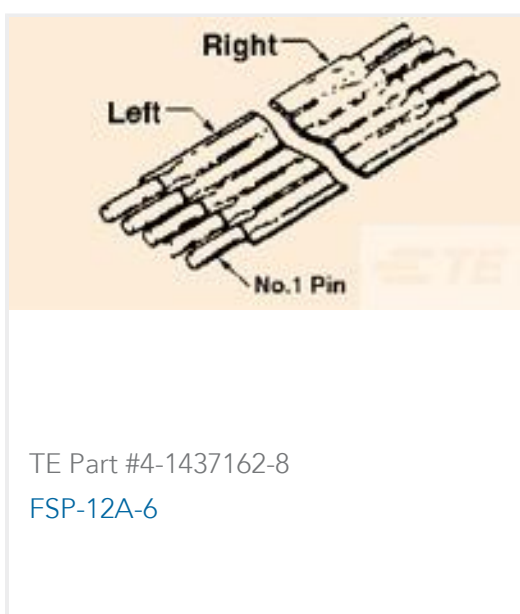
TE Part # 1623097-1
CRG0805 1% 10K

Also in the Series | NEOHM CRG

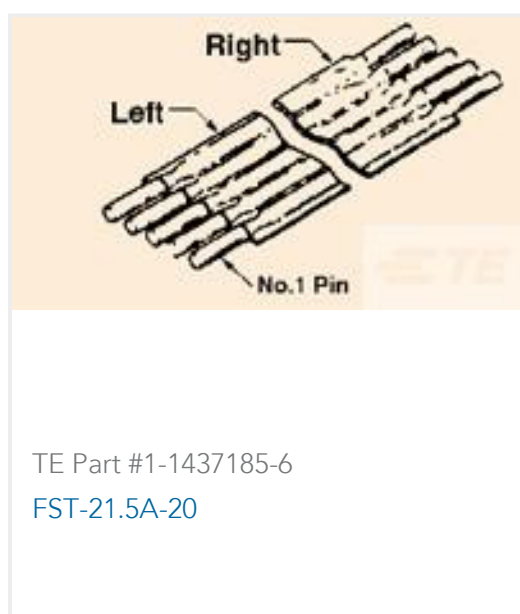


Surface Mount Resistors(615)

Customers Also Bought



TE Part #4-1437162-8
FSP-12A-6



TE Part #1-1437185-6
FST-21.5A-20



TE Part #7-1617772-6
FCA-410-BZ2=RELAY



TE Part #1-1617789-4
FCA-410-BX2=MIDRANGE RELAY



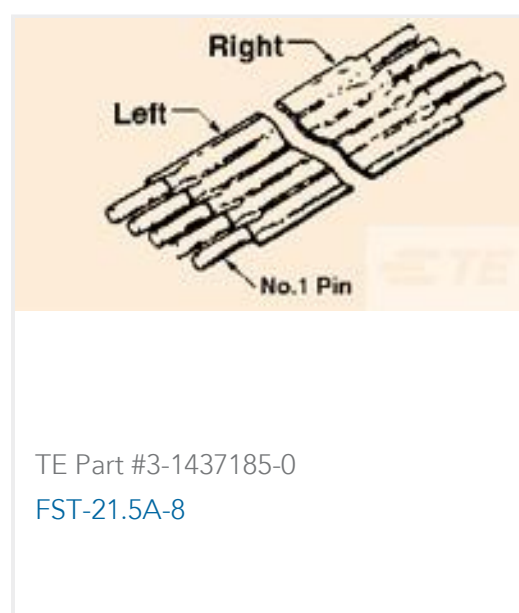
TE Part #1623224-1
CRG0805 1% 430K



TE Part #1623447-1
CRG1206 1% 1K6



TE Part #4-1879226-6
CPF 1206 35K7 0.1% 25PPM 1K RL



TE Part #3-1437185-0
FST-21.5A-8

Documents

Product Drawings

[CRG1206 1% 3R3](#)

English

CAD Files

[Customer View Model](#)

[ENG_CVM_CVM_1623506-3_BA.3d_igs.zip](#)



English

Customer View Model

[ENG_CVM_CVM_1623506-3_BA.3d_stp.zip](#)

English

Customer View Model

[ENG_CVM_CVM_1623506-3_BA.2d_dxf.zip](#)

English

3D PDF

3D

By downloading the CAD file I accept and agree to the [Terms and Conditions](#) of use.

Datasheets & Catalog Pages

[Thick Film Chip Resistors - Type CRG series](#)

English