

# CRG0805F9K1 ✓ ACTIVE

Neohm | Neohm CRG

TE Internal #: 1623301-1

9.1K ohm, Surface Mount General Purpose Resistor, Thick Film, 0805, .125 W, 1 %, ±100 ppm/°C, Solder, 2 Terminations, Neohm CRG

[View on TE.com >](#)



Passive Components > Resistors > Surface Mount Resistors



Resistance Value: **9.1K  $\Omega$**

Resistor Type: **General Purpose Resistor**

Element Type: **Thick Film**

Package Size Code: **0805**

Power Rating: **.125 W**

## Features

### Electrical Characteristics

|                             |                           |
|-----------------------------|---------------------------|
| Operating Voltage           | 150 V                     |
| Resistance Value            | 9.1K $\Omega$             |
| Power Rating                | .125 W                    |
| Resistance Class            | 1k $\Omega$ – 1M $\Omega$ |
| Passive Component Tolerance | 1 %                       |

### Product Type Features

|                   |                          |
|-------------------|--------------------------|
| Resistor Type     | General Purpose Resistor |
| Element Type      | Thick Film               |
| Package Size Code | 0805                     |

### Configuration Features

|                     |   |
|---------------------|---|
| Number of Resistors | 1 |
|---------------------|---|

### Termination Features

|                                         |        |
|-----------------------------------------|--------|
| Surface Mount Resistor Termination Type | Solder |
| Number of Terminations                  | 2      |

### Dimensions

|                |                  |
|----------------|------------------|
| Product Height | .55 mm[.022 in]  |
| Product Length | 2 mm[.079 in]    |
| Product Width  | 1.25 mm[.049 in] |



### Usage Conditions

|                         |             |
|-------------------------|-------------|
| Temperature Coefficient | ±100 ppm/°C |
|-------------------------|-------------|

### Packaging Features

|                  |                |
|------------------|----------------|
| Packaging Method | Taped & Reeled |
|------------------|----------------|

### Other

|                    |                           |
|--------------------|---------------------------|
| EU RoHS Compliance | Compliant with Exemptions |
| EU ELV Compliance  | Not Compliant             |

### Product Compliance

[For compliance documentation, visit the product page on TE.com>](#)

|                                               |                                                                                                                                 |
|-----------------------------------------------|---------------------------------------------------------------------------------------------------------------------------------|
| EU RoHS Directive 2011/65/EU                  | Compliant with Exemptions                                                                                                       |
| EU ELV Directive 2000/53/EC                   | Not Compliant                                                                                                                   |
| China RoHS 2 Directive MIIT Order No 32, 2016 | Restricted Materials Above Threshold                                                                                            |
| EU REACH Regulation (EC) No. 1907/2006        | Current ECHA Candidate List: JUNE 2024 (241)<br>Candidate List Declared Against: JUNE 2024 (241)<br>Does not contain REACH SVHC |
| Halogen Content                               | Low Halogen - Br, Cl, F, I < 900 ppm per homogenous material. Also BFR/CFR/PVC Free                                             |
| Solder Process Capability                     | Reflow solder capable to 260°C                                                                                                  |

#### Product Compliance Disclaimer

This information is provided based on reasonable inquiry of our suppliers and represents our current actual knowledge based on the information they provided. This information is subject to change. The part numbers that TE has identified as EU RoHS compliant have a maximum concentration of 0.1% by weight in homogenous materials for lead, hexavalent chromium, mercury, PBB, PBDE, DBP, BBP, DEHP, DIBP, and 0.01% for cadmium, or qualify for an exemption to these limits as defined in the Annexes of Directive 2011/65/EU (RoHS2). Finished electrical and electronic equipment products will be CE marked as required by Directive 2011/65/EU. Components may not be CE marked. Additionally, the part numbers that TE has identified as EU ELV compliant have a maximum concentration of 0.1% by weight in homogenous materials for lead, hexavalent chromium, and mercury, and 0.01% for cadmium, or qualify for an exemption to these limits as defined in the Annexes of Directive 2000/53/EC (ELV). Regarding the REACH Regulation, the information TE provides on SVHC in articles for this part number is based on the latest European Chemicals Agency (ECHA) 'Guidance on requirements for substances in articles' posted at this URL: <https://echa.europa.eu/guidance-documents/guidance-on-reach>

### Compatible Parts



TE Part # 1622829-1  
CRG0603 1% 10K



TE Part # 1623404-1  
CRG1206 1% 10K



TE Part # 1676480-1  
CRG0402 1% 100K

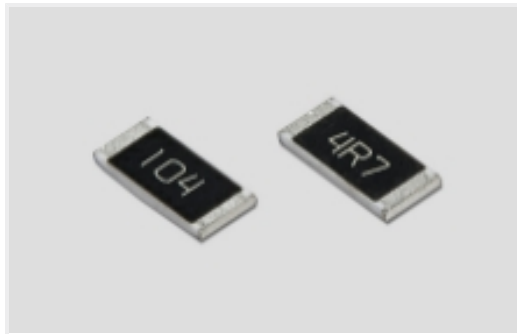


TE Part # 1-1622826-8  
CRG0402 5% 1K0



TE Part # 1623097-1  
CRG0805 1% 10K

### Also in the Series | [Neohm CRG](#)



[Surface Mount Resistors\(614\)](#)

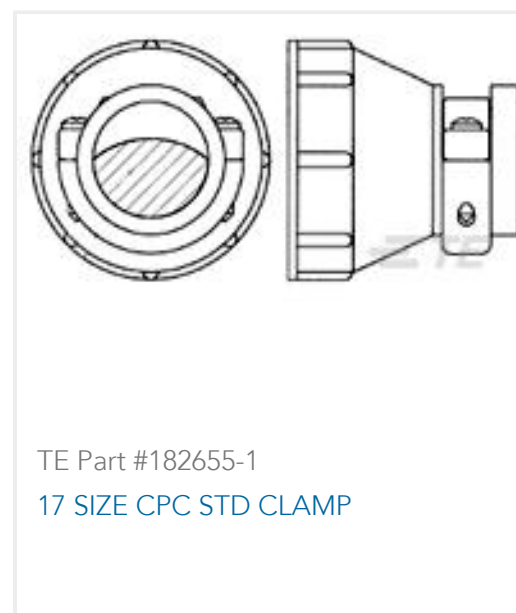
### Customers Also Bought



TE Part #1623108-1  
CRG0805 1% 12K



TE Part #3-2176341-1  
CRGCQ 0805 3K3 1%



TE Part #182655-1  
17 SIZE CPC STD CLAMP

### Documents

#### Product Drawings

[CRG0805 1% 9K1](#)

English

#### CAD Files

[3D PDF](#)

[3D](#)



**Customer View Model**

[ENG\\_CVM\\_CVM\\_1623301-1\\_BA.2d\\_dxf.zip](#)

English

**Customer View Model**

[ENG\\_CVM\\_CVM\\_1623301-1\\_BA.3d\\_igs.zip](#)

English

**Customer View Model**

[ENG\\_CVM\\_CVM\\_1623301-1\\_BA.3d\\_stp.zip](#)

English

By downloading the CAD file I accept and agree to the [Terms and Conditions](#) of use.

**Datasheets & Catalog Pages**

[1309350\\_PASSIVE\\_COMPONENT](#)

English

[Thick Film Chip Resistors - Type CRG series](#)

English