

# CRG0603F110R ✓ ACTIVE

Neohm | Neohm CRG

TE Internal #: 1622833-1

110 ohm, Surface Mount General Purpose Resistor, Thick Film, 0603, .1 W, 1 %, ±100 ppm/°C, Solder, 2 Terminations, .45 mm [.018 in] Height, Neohm CRG

[View on TE.com >](#)



Passive Components > Resistors > Surface Mount Resistors



Resistance Value: 110 Ω

Resistor Type: **General Purpose Resistor**

Element Type: **Thick Film**

Package Size Code: **0603**

Power Rating: **.1 W**

## Features

### Electrical Characteristics

Operating Voltage	50 V
Resistance Value	110 Ω
Power Rating	.1 W
Resistance Class	Up to 1kΩ
Passive Component Tolerance	1 %

### Product Type Features

Resistor Type	General Purpose Resistor
Element Type	Thick Film
Package Size Code	0603

### Configuration Features

Number of Resistors	1
---------------------	---

### Termination Features

Surface Mount Resistor Termination Type	Solder
Number of Terminations	2

### Dimensions

Product Height	.45 mm[.018 in]
Product Length	1.6 mm[.063 in]
Product Width	.8 mm[.031 in]



### Usage Conditions

Temperature Coefficient	±100 ppm/°C
-------------------------	-------------

### Packaging Features

Packaging Method	Taped & Reeled
------------------	----------------

### Other

EU RoHS Compliance	Compliant with Exemptions
EU ELV Compliance	Compliant with Exemptions

### Product Compliance

[For compliance documentation, visit the product page on TE.com>](#)

EU RoHS Directive 2011/65/EU	Compliant with Exemptions
EU ELV Directive 2000/53/EC	Compliant with Exemptions
China RoHS 2 Directive MIIT Order No 32, 2016	Restricted Materials Above Threshold
EU REACH Regulation (EC) No. 1907/2006	Current ECHA Candidate List: JUNE 2024 (241) Candidate List Declared Against: JAN 2022 (223) Does not contain REACH SVHC
Halogen Content	Low Halogen - Br, Cl, F, I < 900 ppm per homogenous material. Also BFR/CFR/PVC Free
Solder Process Capability	Reflow solder capable to 260°C

#### Product Compliance Disclaimer

This information is provided based on reasonable inquiry of our suppliers and represents our current actual knowledge based on the information they provided. This information is subject to change. The part numbers that TE has identified as EU RoHS compliant have a maximum concentration of 0.1% by weight in homogenous materials for lead, hexavalent chromium, mercury, PBB, PBDE, DBP, BBP, DEHP, DIBP, and 0.01% for cadmium, or qualify for an exemption to these limits as defined in the Annexes of Directive 2011/65/EU (RoHS2). Finished electrical and electronic equipment products will be CE marked as required by Directive 2011/65/EU. Components may not be CE marked. Additionally, the part numbers that TE has identified as EU ELV compliant have a maximum concentration of 0.1% by weight in homogenous materials for lead, hexavalent chromium, and mercury, and 0.01% for cadmium, or qualify for an exemption to these limits as defined in the Annexes of Directive 2000/53/EC (ELV). Regarding the REACH Regulation, the information TE provides on SVHC in articles for this part number is based on the latest European Chemicals Agency (ECHA) 'Guidance on requirements for substances in articles' posted at this URL: <https://echa.europa.eu/guidance-documents/guidance-on-reach>

### Compatible Parts




TE Part # 1676480-1  
CRG0402 1% 100K



TE Part # 1-1622826-8  
CRG0402 5% 1K0



TE Part # 1622829-1  
CRG0603 1% 10K



TE Part # 1623404-1  
CRG1206 1% 10K



TE Part # 1623097-1  
CRG0805 1% 10K

Also in the Series | **Neohm CRG**



Surface Mount Resistors(614)

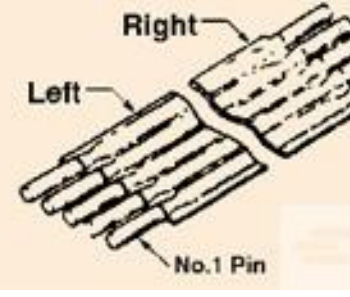
Customers Also Bought



TE Part #7-1617772-6  
FCA-410-BZ2=RELAY



TE Part #1622962-1  
CRG0603 1% 510K



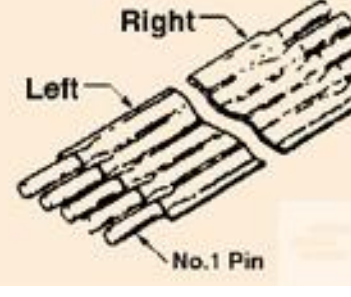
TE Part #1-1437185-6  
FST-21.5A-20



TE Part #1622832-1  
CRG0603 1% 110K



TE Part #1623267-1  
CRG0805 1% 62K



TE Part #3-1437185-0  
FST-21.5A-8



TE Part #1-1617789-4  
FCA-410-BX2=MIDRANGE RELAY



TE Part #1735265-4  
1MM FPC HORZ.BOTTOM CONT. ASSY 4P (Au)



## Documents

### Product Drawings

[CRG0603 1% 110R](#)

English

### CAD Files

[3D PDF](#)

3D

Customer View Model

[ENG\\_CVM\\_CVM\\_1622833-1\\_BA.2d\\_dxf.zip](#)

English

Customer View Model

[ENG\\_CVM\\_CVM\\_1622833-1\\_BA.3d\\_igs.zip](#)

English

Customer View Model

[ENG\\_CVM\\_CVM\\_1622833-1\\_BA.3d\\_stp.zip](#)

English

By downloading the CAD file I accept and agree to the [Terms and Conditions](#) of use.

### Datasheets & Catalog Pages

[1309350\\_PASSIVE\\_COMPONENT](#)

English

[Thick Film Chip Resistors - Type CRG series](#)

English