



Citec

TE Internal #: 1622806-4

TE Internal Description: SIL 9PIN 8RES 10K 5%

[View on TE.com >](#)

Passive Components > Resistors > Through-Hole Resistors



Resistance Value: **10K  $\Omega$**

Resistor Type: **General Purpose Resistor**

Element Type: **Thick Film**

Power Rating: **.2 W**

Resistance Class: **1k $\Omega$  – 1M $\Omega$**

### Features

#### Electrical Characteristics

Operating Voltage	100 V
Resistance Value	10K $\Omega$
Power Rating	.2 W
Resistance Class	1k $\Omega$ – 1M $\Omega$
Passive Component Tolerance	5 %

#### Product Type Features

Resistor Type	General Purpose Resistor
Element Type	Thick Film

#### Configuration Features

Number of Resistors	8
---------------------	---

#### Body Features

Lead Type	Single In Line (SIL) Leadframe
-----------	--------------------------------

#### Termination Features

Number of Terminations	9
------------------------	---

#### Dimensions

Passive Component Dimensions	22.86 x 2.5 mm
------------------------------	----------------

#### Usage Conditions

Temperature Coefficient	$\pm 200$ ppm/ $^{\circ}\text{C}$
-------------------------	-----------------------------------

#### Packaging Features

Packaging Method	Loose Piece - Box
------------------	-------------------

### Other

EU RoHS Compliance	Compliant with Exemptions
EU ELV Compliance	Compliant with Exemptions

## Product Compliance

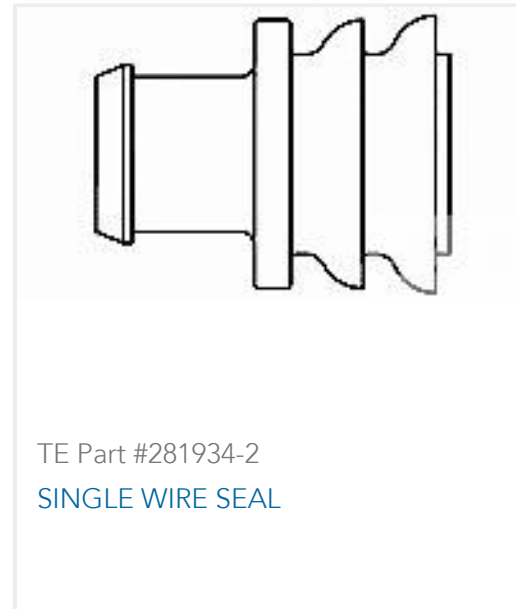
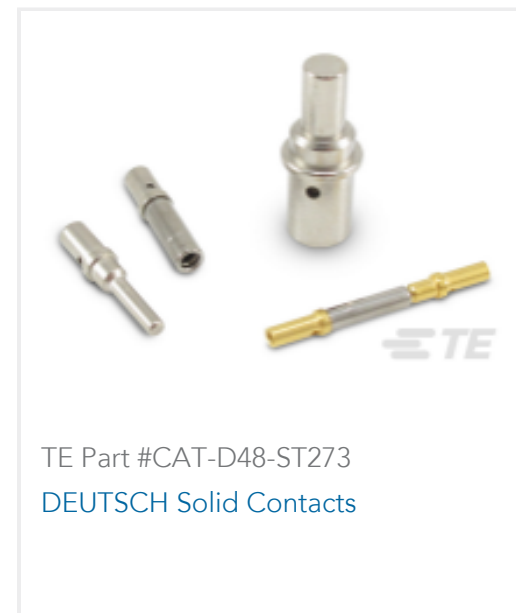
[For compliance documentation, visit the product page on TE.com>](#)

EU RoHS Directive 2011/65/EU	Compliant with Exemptions
EU ELV Directive 2000/53/EC	Compliant with Exemptions
China RoHS 2 Directive MIIT Order No 32, 2016	Restricted Materials Above Threshold
EU REACH Regulation (EC) No. 1907/2006	Current ECHA Candidate List: JUNE 2024 (241) Candidate List Declared Against: JUL 2021 (219) Does not contain REACH SVHC
Halogen Content	Low Halogen - Br, Cl, F, I < 900 ppm per homogenous material. Also BFR/CFR/PVC Free
Solder Process Capability	Wave solder capable to 265°C

#### Product Compliance Disclaimer

This information is provided based on reasonable inquiry of our suppliers and represents our current actual knowledge based on the information they provided. This information is subject to change. The part numbers that TE has identified as EU RoHS compliant have a maximum concentration of 0.1% by weight in homogenous materials for lead, hexavalent chromium, mercury, PBB, PBDE, DBP, BBP, DEHP, DIBP, and 0.01% for cadmium, or qualify for an exemption to these limits as defined in the Annexes of Directive 2011/65/EU (RoHS2). Finished electrical and electronic equipment products will be CE marked as required by Directive 2011/65/EU. Components may not be CE marked. Additionally, the part numbers that TE has identified as EU ELV compliant have a maximum concentration of 0.1% by weight in homogenous materials for lead, hexavalent chromium, and mercury, and 0.01% for cadmium, or qualify for an exemption to these limits as defined in the Annexes of Directive 2000/53/EC (ELV). Regarding the REACH Regulation, the information TE provides on SVHC in articles for this part number is based on the latest European Chemicals Agency (ECHA) 'Guidance on requirements for substances in articles' posted at this URL: <https://echa.europa.eu/guidance-documents/guidance-on-reach>

## Customers Also Bought



## Documents

### Datasheets & Catalog Pages

[1309350\\_PASSIVE\\_COMPONENT](#)

English

[General Purpose Resistor Networks - Type SIL Series](#)

English