

1618412-8 ✓ ACTIVE

Kilovac | Kilovac LEV100

TE Internal #: 1618412-8

High Voltage Contactor, DC, 1 Form X SPST-NO, 150 A Contact Rating, 24 VDC Coil Voltage, Chassis Mount, Hermetically Sealed, Kilovac LEV100

[View on TE.com >](#)



Relays & Contactors > Electromechanical Relays



Relay & Contactor Type: **High Voltage Contactor**

Current Type: **DC**

Contact Arrangement: **1 Form X SPST-NO**

Contact Current Rating: **150 A**

Coil Voltage Rating: **24 VDC**

Features

Dimensions

Coil Wire Length	389 mm[15 in]
------------------	---------------

Mechanical Attachment

Torque (Main)	30 – 40 in-lbs
Product Mount Type	Chassis Mount

Termination Features

Auxiliary Termination & Connection Type	Wire Connector
Main Termination & Connection Type	M5 Female
Coil Termination & Connection Type	Connector

Electrical Characteristics

Coil Resistance	96 Ω
Contact Switching Voltage (Max)	1000 VDC
Contact Current Rating	150 A
Coil Voltage Rating	24 VDC

Configuration Features

Auxiliary Switch Contact Arrangement	SPST NO
Contact Number of Poles	1
Contact Arrangement	1 Form X SPST-NO



Product Type Features

Relay & Contactor Type	High Voltage Contactor
------------------------	------------------------

Operation/Application

Current Type	DC
--------------	----

Body Features

Enclosure Type	Hermetically Sealed
----------------	---------------------

Other

EU RoHS Compliance	Compliant with Exemptions
EU ELV Compliance	Compliant with Exemptions

Product Compliance

[For compliance documentation, visit the product page on TE.com>](#)

EU RoHS Directive 2011/65/EU	Compliant with Exemptions
EU ELV Directive 2000/53/EC	Compliant with Exemptions
China RoHS 2 Directive MIIT Order No 32, 2016	Restricted Materials Above Threshold
EU REACH Regulation (EC) No. 1907/2006	Current ECHA Candidate List: JUNE 2024 (241) Candidate List Declared Against: JAN 2024 (240) Does not contain REACH SVHC
Halogen Content	Not Yet Reviewed for halogen content
Solder Process Capability	Hand solderable with lead free solder

Product Compliance Disclaimer

This information is provided based on reasonable inquiry of our suppliers and represents our current actual knowledge based on the information they provided. This information is subject to change. The part numbers that TE has identified as EU RoHS compliant have a maximum concentration of 0.1% by weight in homogenous materials for lead, hexavalent chromium, mercury, PBB, PBDE, DBP, BBP, DEHP, DIBP, and 0.01% for cadmium, or qualify for an exemption to these limits as defined in the Annexes of Directive 2011/65/EU (RoHS2). Finished electrical and electronic equipment products will be CE marked as required by Directive 2011/65/EU. Components may not be CE marked. Additionally, the part numbers that TE has identified as EU ELV compliant have a maximum concentration of 0.1% by weight in homogenous materials for lead, hexavalent chromium, and mercury, and 0.01% for cadmium, or qualify for an exemption to these limits as defined in the Annexes of Directive 2000/53/EC (ELV). Regarding the REACH Regulation, the information TE provides on SVHC in articles for this part number is based on the latest European Chemicals Agency (ECHA) 'Guidance on requirements for substances in articles' posted at this URL: <https://echa.europa.eu/guidance-documents/guidance-on-reach>

Compatible Parts



TE Part # 9-1618389-8
LEV100A5ANG=RELAY, SPST, 24Vdc

Also in the Series | Kilovac LEV100



DC Contactors(11)



DC Relays(11)



Electromechanical Relays(13)

Customers Also Bought



TE Part #4-1879259-3
RP 2B 1K69 0.1% 15PPM CUT LENGTH



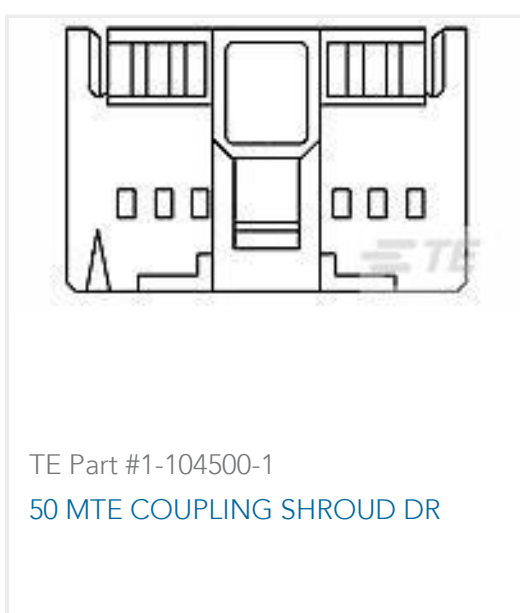
TE Part #7-2176392-3
RQ 1206 750K 0.1% 10PPM 5K RL



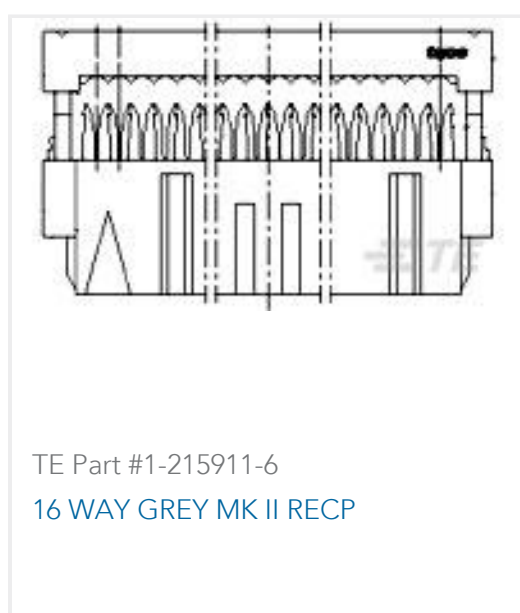
TE Part #2-1879447-0
TE 200W 39R 5% Bracket



TE Part #2-2205130-2
CA MINI IO TYPE II PIGTAIL



TE Part #1-104500-1
50 MTE COUPLING SHROUD DR



TE Part #1-215911-6
16 WAY GREY MK II RECP



TE Part #4-1618413-9
EV600HSANM = CONTACTOR, SPST-NO 24V COIL



TE Part #8-2176416-1
9W STD M/OX 5% 110K



TE Part #554349-1
EMI RCPT ASSY, 24 POS, SHLD



TE Part #2141619-1
5POS,TAB 6.3X0.8,HEADER ASSY,C



Documents

CAD Files

3D PDF

3D

Customer View Model

[ENG_CVM_CVM_1618412-8_B.2d_dxf.zip](#)

English

Customer View Model

[ENG_CVM_CVM_1618412-8_B.3d_igs.zip](#)

English

Customer View Model

[ENG_CVM_CVM_1618412-8_B.3d_stp.zip](#)

English

By downloading the CAD file I accept and agree to the [Terms and Conditions](#) of use.

Datasheets & Catalog Pages

[SD-LEV100H = CONTACTOR WITH AUX CONTACT](#)

English