



Relays & Contactors > Electromechanical Relays > AC Contactors: 3PDT



Relay & Contactor Type: **General Purpose Contactor**

Current Type: **DC**

Contact Arrangement: **3PDT**

Contact Current Rating: **250 A**

Coil Voltage Rating: **28 VDC**

[All AC Contactors: 3PDT \(17\)](#)

Features

Termination Features

Auxiliary Termination & Connection Type	Wire Connector
Main Termination & Connection Type	3/8-24 UNF-2A Stud
Coil Termination & Connection Type	Connector

Configuration Features

Contact Number of Poles	3
Contact Arrangement	3PDT

Product Type Features

Relay & Contactor Type	General Purpose Contactor
------------------------	---------------------------

Operation/Application

Current Type	DC
--------------	----

Electrical Characteristics

Contact Current Rating	250 A
Coil Voltage Rating	28 VDC

Body Features

Enclosure Type	Environmentally Sealed
----------------	------------------------

Mechanical Attachment

Product Mount Type	Chassis Mount
--------------------	---------------



Other

EU RoHS Compliance	Not Compliant
EU ELV Compliance	Not Compliant

Product Compliance

[For compliance documentation, visit the product page on TE.com>](#)

EU RoHS Directive 2011/65/EU	Not Compliant
EU ELV Directive 2000/53/EC	Not Compliant
China RoHS 2 Directive MIIT Order No 32, 2016	Restricted Materials Above Threshold
EU REACH Regulation (EC) No. 1907/2006	Current ECHA Candidate List: JUNE 2024 (241) Candidate List Declared Against: JAN 2024 (240) Does not contain REACH SVHC
Halogen Content	Not Yet Reviewed for halogen content
Solder Process Capability	Not applicable for solder process capability

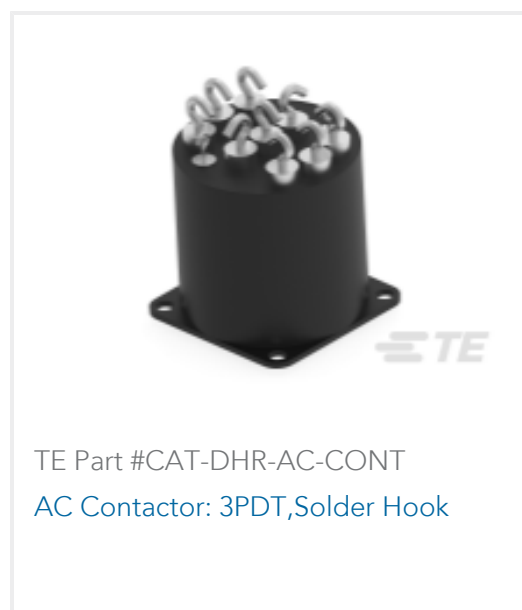
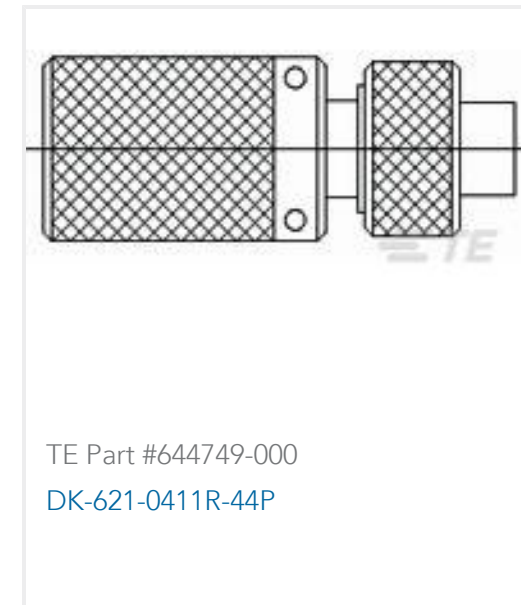
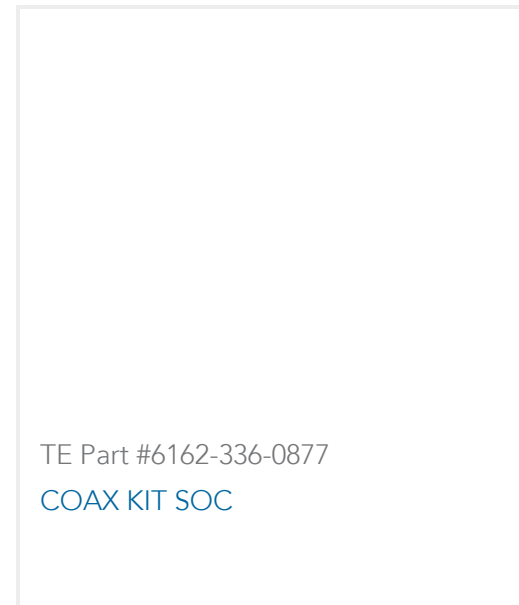
Product Compliance Disclaimer

This information is provided based on reasonable inquiry of our suppliers and represents our current actual knowledge based on the information they provided. This information is subject to change. The part numbers that TE has identified as EU RoHS compliant have a maximum concentration of 0.1% by weight in homogenous materials for lead, hexavalent chromium, mercury, PBB, PBDE, DBP, BBP, DEHP, DIBP, and 0.01% for cadmium, or qualify for an exemption to these limits as defined in the Annexes of Directive 2011/65/EU (RoHS2). Finished electrical and electronic equipment products will be CE marked as required by Directive 2011/65/EU. Components may not be CE marked. Additionally, the part numbers that TE has identified as EU ELV compliant have a maximum concentration of 0.1% by weight in homogenous materials for lead, hexavalent chromium, and mercury, and 0.01% for cadmium, or qualify for an exemption to these limits as defined in the Annexes of Directive 2000/53/EC (ELV). Regarding the REACH Regulations, TE's information on SVHC in articles for this part number is still based on the European Chemical Agency (ECHA) 'Guidance on requirements for substances in articles' (Version: 2, April 2011), applying the 0.1% weight on weight concentration threshold at the finished product level. TE is aware of the European Court of Justice ruling of September 10th, 2015 also known as O5A (Once An Article Always An Article) stating that, in case of 'complex object', the threshold for a SVHC must be applied to both the product as a whole and simultaneously to each of the articles forming part of its composition. TE has evaluated this ruling based on the new ECHA "Guidance on requirements for substances in articles" (June 2017, version 4.0) and will be updating its statements accordingly.

Compatible Parts



Customers Also Bought



Documents

CAD Files

Customer View Model

[ENG_CVM_CVM_1616030-2_U.3d_stp.zip](#)

English

Customer View Model

[ENG_CVM_CVM_1616030-2_U.2d_dxf.zip](#)

English

3D PDF

3D

Customer View Model

[ENG_CVM_CVM_1616030-2_U.3d_igs.zip](#)

English

By downloading the CAD file I accept and agree to the [Terms and Conditions](#) of use.

Datasheets & Catalog Pages

[B394=RELAY](#)

English

B394

General Purpose Contactor, DC, 3PDT, 250 A Contact Rating, 28 VDC Coil Voltage,
Chassis Mount, Environmentally Sealed

