



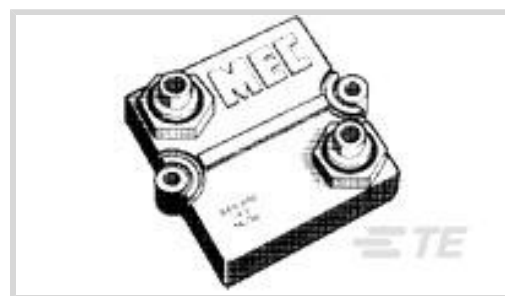
CGS | CGS BDS

TE Internal #: 1614782-8

220 ohm Chassis Mount Resistor, 100 W, Thick Film, 2 Terminations, ±150 ppm/°C, 10 %, Screw Terminals, Loose Piece - Tray, CGS BDS

[View on TE.com >](#)

Passive Components > Resistors > Chassis Mount Resistors > Resistor Power BDS2A100



Resistor Type: **Power Resistor**

Resistance Class: **Up to 1kΩ**

Resistance Value: **220 Ω**

Power Rating: **100 W**

Element Type: **Thick Film**

[All Resistor Power BDS2A100 \(30\)](#)

Features

Usage Conditions

Operating Temperature Range	-55 – 125 °C
Temperature Coefficient	±150 ppm/°C

Product Type Features

Resistor Type	Power Resistor
Element Type	Thick Film

Configuration Features

Number of Resistors	1
---------------------	---

Electrical Characteristics

Resistance Class	Up to 1kΩ
Resistance Value	220 Ω
Power Rating	100 W
Passive Component Tolerance	10 %

Termination Features

Number of Terminations	2
Chassis Mount Resistor Termination Type	Screw Terminals

Mechanical Attachment

Panel Mount Feature Type	Flange with Mounting Holes
--------------------------	----------------------------

Dimensions

Product Height	21 mm[.827 in]
Product Length	38 mm[1.496 in]
Product Width	25.5 mm[1.004 in]

Packaging Features

Packaging Method	Loose Piece - Tray
------------------	--------------------

Other

EU RoHS Compliance	Compliant
EU ELV Compliance	Compliant

Product Compliance

[For compliance documentation, visit the product page on TE.com>](#)

EU RoHS Directive 2011/65/EU	Compliant
EU ELV Directive 2000/53/EC	Compliant
China RoHS 2 Directive MIIT Order No 32, 2016	No Restricted Materials Above Threshold
EU REACH Regulation (EC) No. 1907/2006	Current ECHA Candidate List: JUNE 2024 (241) Candidate List Declared Against: JUNE 2024 (241) Does not contain REACH SVHC
Halogen Content	Low Halogen - Br, Cl, F, I < 900 ppm per homogenous material. Also BFR/CFR/PVC Free
Solder Process Capability	Not applicable for solder process capability

Product Compliance Disclaimer

This information is provided based on reasonable inquiry of our suppliers and represents our current actual knowledge based on the information they provided. This information is subject to change. The part numbers that TE has identified as EU RoHS compliant have a maximum concentration of 0.1% by weight in homogenous materials for lead, hexavalent chromium, mercury, PBB, PBDE, DBP, BBP, DEHP, DIBP, and 0.01% for cadmium, or qualify for an exemption to these limits as defined in the Annexes of Directive 2011/65/EU (RoHS2). Finished electrical and electronic equipment products will be CE marked as required by Directive 2011/65/EU. Components may not be CE marked. Additionally, the part numbers that TE has identified as EU ELV compliant have a maximum concentration of 0.1% by weight in homogenous materials for lead, hexavalent chromium, and mercury, and 0.01% for cadmium, or qualify for an exemption to these limits as defined in the Annexes of Directive 2000/53/EC (ELV). Regarding the REACH Regulation, the information TE provides on SVHC in articles for this part number is based on the latest European Chemicals Agency (ECHA) 'Guidance on requirements for substances in articles' posted at this URL: <https://echa.europa.eu/guidance-documents/guidance-on-reach>

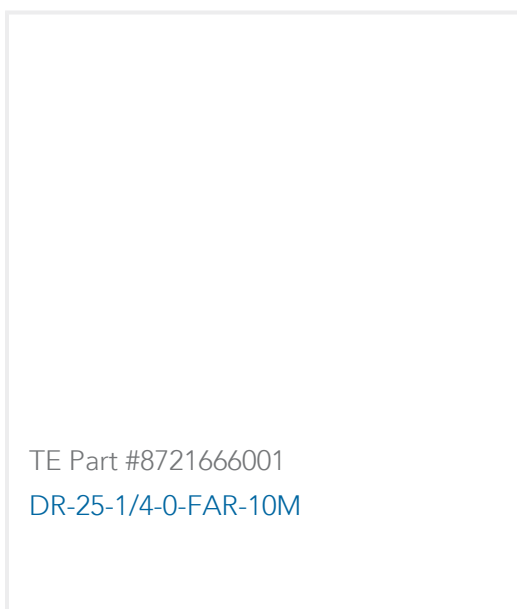
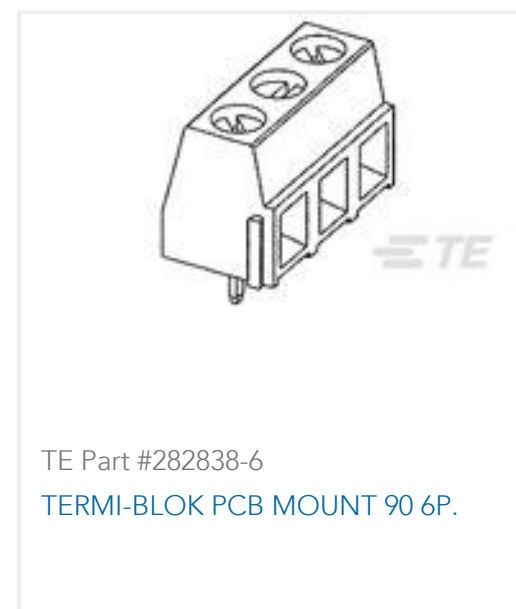
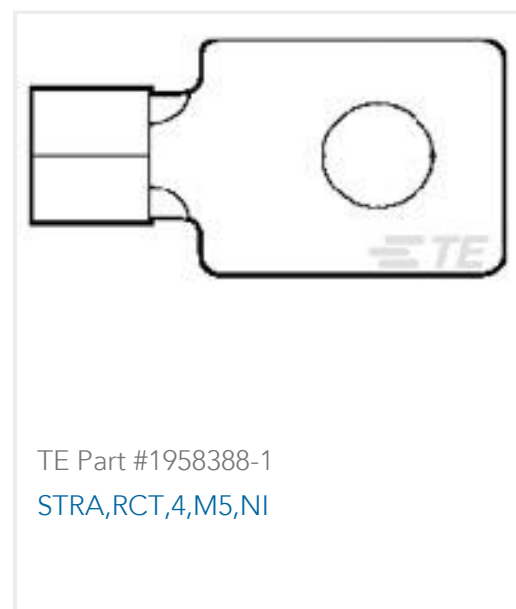
Compatible Parts



Also in the Series | CGS BDS



Customers Also Bought





Documents

Product Drawings

[BDS 2 A 100 220R 10%](#)

English

CAD Files

Customer View Model

[ENG_CVM_CVM_1614782-8_J.2d_dxf.zip](#)

English

[3D PDF](#)

3D

Customer View Model

[ENG_CVM_CVM_1614782-8_J.3d_igs.zip](#)

English

Customer View Model

[ENG_CVM_CVM_1614782-8_J.3d_stp.zip](#)

English

By downloading the CAD file I accept and agree to the [Terms and Conditions](#) of use.

Datasheets & Catalog Pages

[4-1773460-6_RESISTIVE_SOLUTIONS_RAIL](#)

English

[1309350_PASSIVE_COMPONENT](#)

English

[Thick Film Power Resistors - Type BDS100 Series](#)

English

[8-1773459-4_POWER_FILTERING_AND_RESISTIVE_SOLUTIONS_FOR_ELEVATORS_AND_ESCALATORS](#)

English