



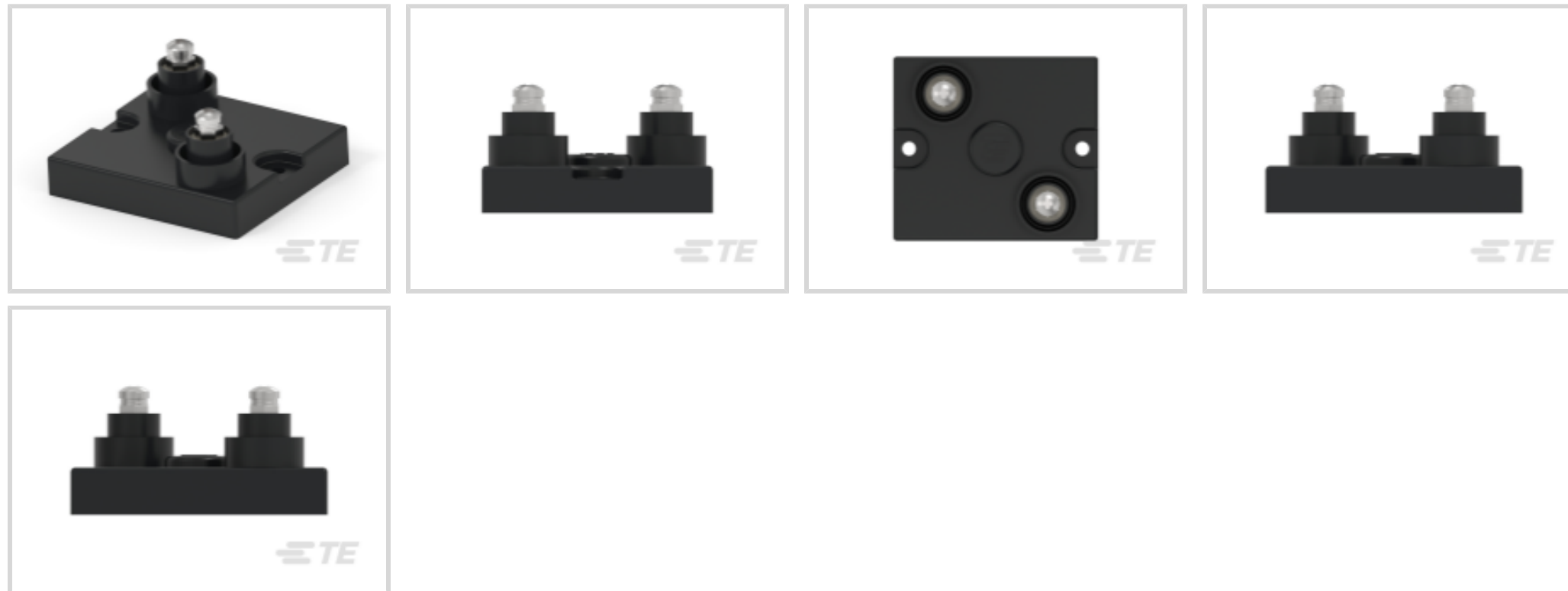
CGS | CGS BDS

TE Internal #: 1614770-8

150 ohm Chassis Mount Resistor, 250 W, Thick Film, 2 Terminations, ±150 ppm/°C, 10 %, Screw Terminals, Loose Piece - Tray, CGS BDS

[View on TE.com >](#)

Passive Components > Resistors > Chassis Mount Resistors > Resistor Power BDS2A – High Power



Resistor Type: **Power Resistor**

Resistance Class: **Up to 1kΩ**

Resistance Value: **150 Ω**

Power Rating: **250 W**

Element Type: **Thick Film**

[All Resistor Power BDS2A – High Power \(108\)](#)

## Features

### Usage Conditions

Operating Temperature Range	-55 – 125 °C
Temperature Coefficient	±150 ppm/°C

### Product Type Features

Resistor Type	Power Resistor
Element Type	Thick Film

### Configuration Features

Number of Resistors	1
---------------------	---

### Electrical Characteristics

Resistance Class	Up to 1kΩ
Resistance Value	150 Ω
Power Rating	250 W
Passive Component Tolerance	10 %

### Termination Features

Number of Terminations	2
Chassis Mount Resistor Termination Type	Screw Terminals

### Mechanical Attachment

Panel Mount Feature Type	Flange with Mounting Holes
--------------------------	----------------------------

### Dimensions

Product Height	36 mm[1.417 in]
Product Length	67 mm[2.638 in]
Product Width	60.25 mm[2.372 in]

### Packaging Features

Packaging Method	Loose Piece - Tray
------------------	--------------------

### Other

EU RoHS Compliance	Not Compliant
EU ELV Compliance	Not Compliant

### Product Compliance

[For compliance documentation, visit the product page on TE.com>](#)

EU RoHS Directive 2011/65/EU	Not Compliant
EU ELV Directive 2000/53/EC	Not Compliant
China RoHS 2 Directive MIIT Order No 32, 2016	Restricted Materials Above Threshold
EU REACH Regulation (EC) No. 1907/2006	Current ECHA Candidate List: JUNE 2024 (241) Candidate List Declared Against: JUNE 2023 (235) SVHC > Threshold: Pb (33.3% in component part) <b>Article Safe Usage Statements:</b> Do not eat, drink or smoke when using this product. Wash thoroughly after handling. Recycle if possible and dispose of the article by following all applicable governmental regulations relevant to your geographic location.

Halogen Content	Not Yet Reviewed for halogen content
-----------------	--------------------------------------

Solder Process Capability	Not applicable for solder process capability
---------------------------	--

#### Product Compliance Disclaimer

This information is provided based on reasonable inquiry of our suppliers and represents our current actual knowledge based on the information they provided. This information is subject to change. The part numbers that TE has identified as EU RoHS compliant have a maximum concentration of 0.1% by weight in homogenous materials for lead, hexavalent chromium, mercury, PBB, PBDE, DBP, BBP, DEHP, DIBP, and 0.01% for cadmium, or qualify for an exemption to these limits as defined in the Annexes of Directive 2011/65/EU (RoHS2). Finished electrical and electronic equipment products will be CE marked as required by Directive 2011/65/EU. Components may not be CE marked. Additionally, the part numbers that TE has identified as EU ELV compliant have a maximum concentration of 0.1% by weight in homogenous materials for lead, hexavalent chromium, and mercury, and 0.01% for cadmium, or qualify for an exemption to these limits

as defined in the Annexes of Directive 2000/53/EC (ELV). Regarding the REACH Regulation, the information TE provides on SVHC in articles for this part number is based on the latest European Chemicals Agency (ECHA) 'Guidance on requirements for substances in articles' posted at this URL: <https://echa.europa.eu/guidance-documents/guidance-on-reach>

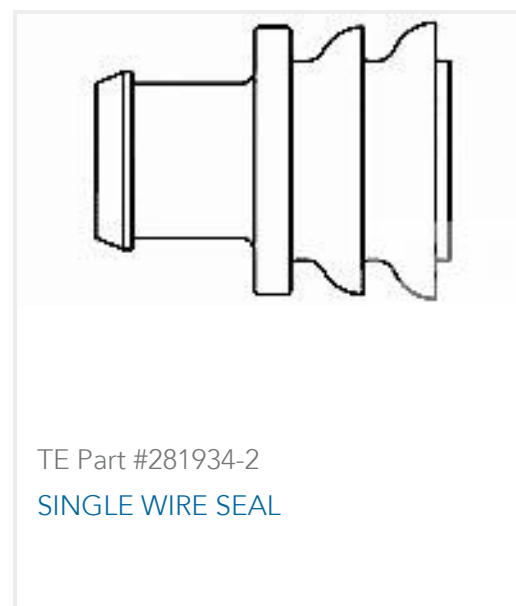
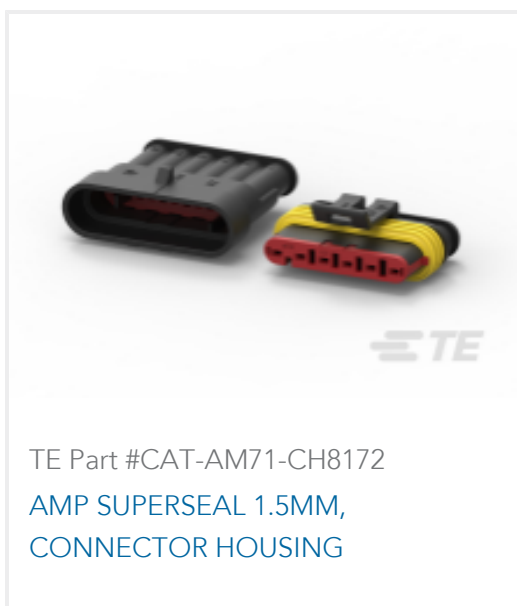
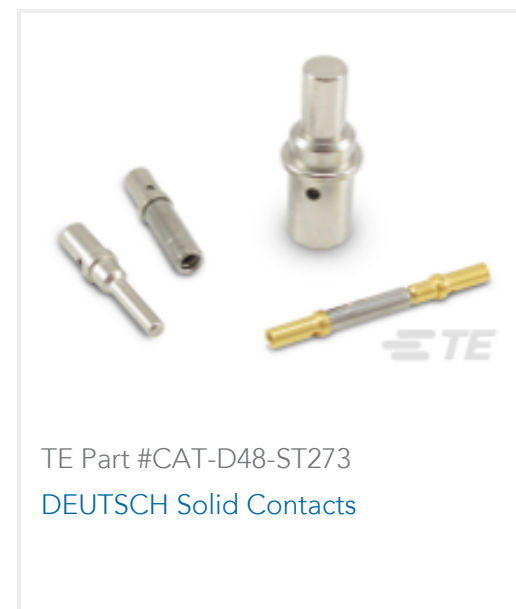
## Compatible Parts



## Also in the Series | CGS BDS



## Customers Also Bought



## Documents



### Product Drawings

[BDS 2 A 250 150R 10%](#)

English

---

### CAD Files

[3D PDF](#)

3D

Customer View Model

[ENG\\_CVM\\_CVM\\_1614770-8\\_S.2d\\_dxf.zip](#)

English

Customer View Model

[ENG\\_CVM\\_CVM\\_1614770-8\\_S.3d\\_stp.zip](#)

English

Customer View Model

[ENG\\_CVM\\_CVM\\_1614770-8\\_S.3d\\_igs.zip](#)

English

By downloading the CAD file I accept and agree to the [Terms and Conditions](#) of use.

---

### Datasheets & Catalog Pages

[4-1773460-6\\_RESISTIVE\\_SOLUTIONS\\_RAIL](#)

English

[1309350\\_PASSIVE\\_COMPONENT](#)

English

[Thick Film Power Resistors - Type BDS250/400 Series](#)

English

[8-1773459-4\\_POWER\\_FILTERING\\_AND\\_RESISTIVE\\_SOLUTIONS\\_FOR\\_ELEVATORS\\_AND\\_ESCALATORS](#)

English