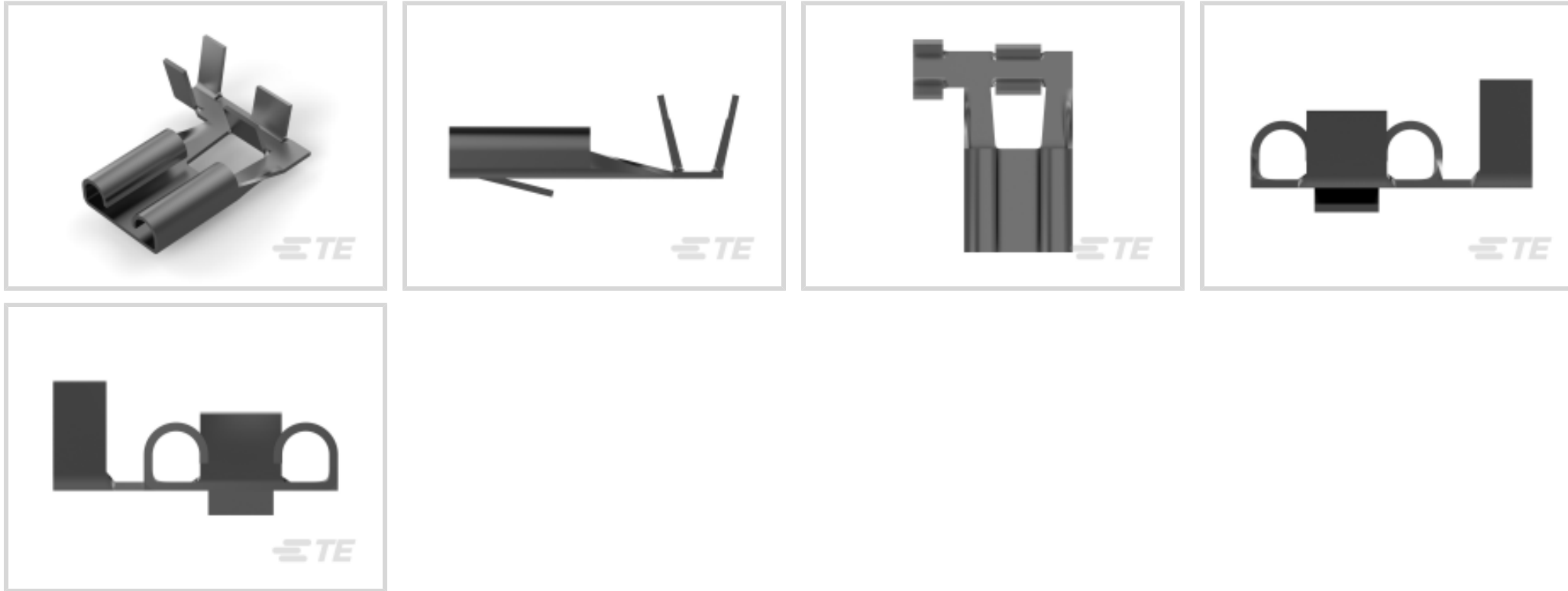




Terminals & Splices > Quick Disconnects



Quick Disconnect Terminal Type: **Receptacle**

Wire Size: 1.03 – 2.62 mm<sup>2</sup>

Mating Tab Width: 7.92 mm [.312 in]

Mating Tab Thickness: .81 mm [.032 in]

### Features

#### Industry Standards

Compatible With Agency/Standards Products	UL
---	----

#### Termination Features

Product Terminates To	Wire & Cable
-----------------------	--------------

#### Configuration Features

Compatible With Wire & Cable Type	Discrete Wire
Connection Capacity	Single

#### Mechanical Attachment

Wire Insulation Support	With
Mating Retention Type	Dimple

#### Packaging Features

Packaging Quantity	2500
Packaging Method	Strip/Reel

#### Dimensions

Product Length	16.8 mm [.661 in]
----------------	-------------------



Compatible Insulation Diameter Range	2.1 – 3.1 mm [.083 – .118 in]
--------------------------------------	-------------------------------

Terminal Material Thickness	.41 mm [.016 in]
-----------------------------	------------------

Wire Size	1.03 – 2.62 mm <sup>2</sup>
-----------	-----------------------------

### Contact Features

Quick Disconnect Terminal Type	Receptacle
--------------------------------	------------

Mating Tab Width	7.92 mm [.312 in]
------------------	-------------------

Mating Tab Thickness	.81 mm [.032 in]
----------------------	------------------

Terminal Orientation	Flag
----------------------	------

Contact Base Material	Phosphor Bronze
-----------------------	-----------------

Terminal Plating Material	Tin
---------------------------	-----

Crimp Type	F-Crimp
------------	---------

Barrel Type	Open
-------------	------

### Usage Conditions

Insulation Option	Uninsulated
-------------------	-------------

Operating Temperature Range	-40 – 110 °C [-40 – 230 °F]
-----------------------------	-----------------------------

### Other

EU RoHS Compliance	Compliant
--------------------	-----------

EU ELV Compliance	Compliant
-------------------	-----------

### Product Compliance

[For compliance documentation, visit the product page on TE.com>](#)

EU RoHS Directive 2011/65/EU	Compliant
------------------------------	-----------

EU ELV Directive 2000/53/EC	Compliant
-----------------------------	-----------

China RoHS 2 Directive MIIT Order No 32, 2016	No Restricted Materials Above Threshold
---	---

EU REACH Regulation (EC) No. 1907/2006	Current ECHA Candidate List: JUNE 2024 (241) Candidate List Declared Against: JUNE 2024 (241) Does not contain REACH SVHC
--	---

Halogen Content	Low Halogen - Br, Cl, F, I < 900 ppm per homogenous material. Also BFR/CFR/PVC Free
-----------------	---

Solder Process Capability	Not applicable for solder process capability
---------------------------	--

Product Compliance Disclaimer

This information is provided based on reasonable inquiry of our suppliers and represents our current actual knowledge based on the information they provided. This information is subject to change. The part numbers that TE has identified as EU RoHS compliant have a maximum concentration of 0.1% by weight in homogenous materials for lead, hexavalent chromium, mercury, PBB, PBDE, DBP, BBP, DEHP, DIBP, and 0.01% for cadmium, or qualify for an exemption to these limits as defined in the Annexes of Directive 2011/65/EU (RoHS2). Finished electrical and electronic equipment products will be CE marked as required by Directive 2011/65/EU. Components may not be CE marked. Additionally, the part numbers that TE has identified as EU ELV compliant have a maximum concentration of 0.1% by weight in homogenous materials for lead, hexavalent chromium, and mercury, and 0.01% for cadmium, or qualify for an exemption to these limits as defined in the Annexes of Directive 2000/53/EC (ELV). Regarding the REACH Regulation, the information TE provides on SVHC in articles for this part number is based on the latest European Chemicals Agency (ECHA) 'Guidance on requirements for substances in articles' posted at this URL: <https://echa.europa.eu/guidance-documents/guidance-on-reach>

## Compatible Parts



Also in the Series | **FASTON 312**



Crimp Terminal Housings(3)

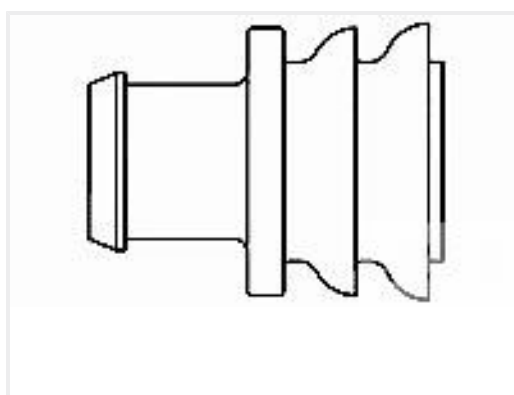


PCB Terminals(1)



Quick Disconnects(8)

## Customers Also Bought

TE Part #CAT-AM71-CH8172  
AMP SUPERSEAL 1.5MM,  
CONNECTOR HOUSINGTE Part #114017-ZZ  
SEALING PLUG, SIZE 12/16, WHTTE Part #DT04-2P  
REC, 2P, GRY, NTE Part #DT06-2S  
PLG, 2P, GRY, NTE Part #CAT-D487-W416  
Wedgelocks: DEUTSCH DTTE Part #CAT-D48-ST273  
DEUTSCH Solid ContactsTE Part #281934-2  
SINGLE WIRE SEAL

## Documents

### Product Drawings

FF FAH STECKH 8,0

English

### CAD Files

3D PDF

3D

Customer View Model

[ENG\\_CVM\\_CVM\\_160862-8\\_F.2d\\_dxf.zip](#)

English

Customer View Model

[ENG\\_CVM\\_CVM\\_160862-8\\_F.3d\\_igs.zip](#)

English

Customer View Model

[ENG\\_CVM\\_CVM\\_160862-8\\_F.3d\\_stp.zip](#)

English

By downloading the CAD file I accept and agree to the [Terms and Conditions](#) of use.

160862-8

Quick Disconnect Receptacle, 17 – 13 AWG, 1.03 – 2.62 mm<sup>2</sup> Wire, 7.92 mm [.312 in]  
Tab Width, Flag, Phosphor Bronze, Tin Plating, FASTON 312

