



Terminals & Splices > Quick Disconnects



Quick Disconnect Terminal Type: **Receptacle**

Wire Size: .51 – 1.65 mm²

Mating Tab Width: 6.35 mm [.25 in]

Mating Tab Thickness: .81 mm [.032 in]

Features

Industry Standards

Compatible With Agency/Standards Products	UL, CSA
---	---------

Termination Features

Product Terminates To	Wire & Cable
-----------------------	--------------

Configuration Features

Compatible With Wire & Cable Type	Discrete Wire
Connection Capacity	Single

Mechanical Attachment

Wire Insulation Support	With
Mating Retention Type	Dimple
Extraction Force	8.1 kgf

Other

Line	Premier
EU RoHS Compliance	Compliant
EU ELV Compliance	Compliant



Packaging Features

Packaging Quantity	6000
Packaging Method	Strip/Reel

Dimensions

Product Length	19.2 mm[.755 in]
Compatible Insulation Diameter Range	2.3 – 3.3 mm[.09 – .13 in]
Terminal Material Thickness	.41 mm[.016 in]
Wire Size	.51 – 1.65 mm ²

Product Type Features

Insertion Force	Normal
-----------------	--------

Contact Features

Quick Disconnect Terminal Type	Receptacle
Mating Tab Width	6.35 mm[.25 in]
Mating Tab Thickness	.81 mm[.032 in]
Terminal Orientation	Straight
Contact Base Material	Brass
Terminal Plating Material	Unplated
Crimp Type	F-Crimp
Barrel Type	Open

Usage Conditions

Insulation Option	Uninsulated
Operating Temperature Range	-40 – 110 °C[-40 – 230 °F]

Product Compliance

[For compliance documentation, visit the product page on TE.com>](#)

EU RoHS Directive 2011/65/EU	Compliant
EU ELV Directive 2000/53/EC	Compliant
China RoHS 2 Directive MIIT Order No 32, 2016	No Restricted Materials Above Threshold
EU REACH Regulation (EC) No. 1907/2006	Current ECHA Candidate List: JUNE 2024 (241) Candidate List Declared Against: JUNE 2024 (241) Does not contain REACH SVHC
Halogen Content	Low Halogen - Br, Cl, F, I < 900 ppm per



homogenous material. Also BFR/CFR/PVC Free

Solder Process Capability

Not applicable for solder process capability

Product Compliance Disclaimer

This information is provided based on reasonable inquiry of our suppliers and represents our current actual knowledge based on the information they provided. This information is subject to change. The part numbers that TE has identified as EU RoHS compliant have a maximum concentration of 0.1% by weight in homogenous materials for lead, hexavalent chromium, mercury, PBB, PBDE, DBP, BBP, DEHP, DIBP, and 0.01% for cadmium, or qualify for an exemption to these limits as defined in the Annexes of Directive 2011/65/EU (RoHS2). Finished electrical and electronic equipment products will be CE marked as required by Directive 2011/65/EU. Components may not be CE marked. Additionally, the part numbers that TE has identified as EU ELV compliant have a maximum concentration of 0.1% by weight in homogenous materials for lead, hexavalent chromium, and mercury, and 0.01% for cadmium, or qualify for an exemption to these limits as defined in the Annexes of Directive 2000/53/EC (ELV). Regarding the REACH Regulation, the information TE provides on SVHC in articles for this part number is based on the latest European Chemicals Agency (ECHA) 'Guidance on requirements for substances in articles' posted at this URL: <https://echa.europa.eu/guidance-documents/guidance-on-reach>

Compatible Parts

TE Part # 735209-1
250 FASTON REC 22-18 AWG BR

KIT
REPRESENTATION ONLY

TE Part # 7-2150082-7
OCEAN_2.0_SPARE_PART_KIT-090F130F

TE Part # 737439-1
250 FASTON REC 22-18 AWG BR

TE Part # 2150082-2
OCEAN_2.0_APPLICATOR-E-090F130F-REA

TE Part # 2150082-1
OCEAN_2.0_APPLICATOR-E-090F130F-REM

TE Part # 737439-3
250 FASTON REC 22-18 AWG TPBR

TE Part # 42239-4
205 FASTON REC 18-14 AWG PHBZ

TE Part # 180388-2
250 FASTON,REC.,20-16 AWG,TPBR

TE Part # 63648-1
250 FASTON FLAG REC 20-14 AWG BR

TE Part # 190735-7
250 FASTON,FLAG,REC.,20-16 AWG,PTBR

TE Part # 180388-5
250 FASTON,REC.,20-16 AWG,TPPB

Also in the Series | FASTON 250



Compression Connectors(4)



Crimp Terminal Housings(118)



Insertion & Extraction Tools(6)



Insulation Boots & Sleeves(16)



PCB Terminals(133)

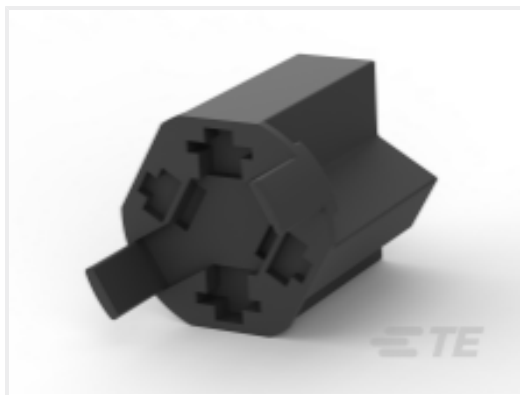


Quick Disconnects(425)

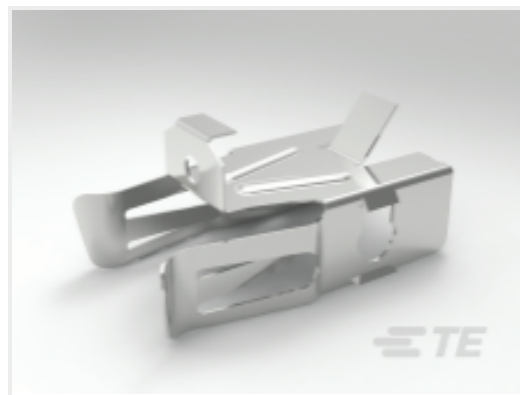


Splices(4)

Customers Also Bought



TE Part #1969725-1
187 FAST&110 PL HSG.,REC.,4 POS, BLACK



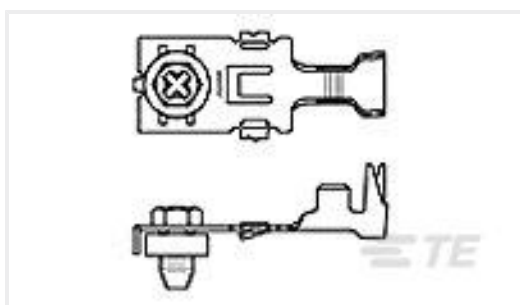
TE Part #1969755-1
CLIP, HEAVY DUTY BURNER CONNECTOR



TE Part #1-1969186-1
312 FASTON HSG.,REC.,BLACK



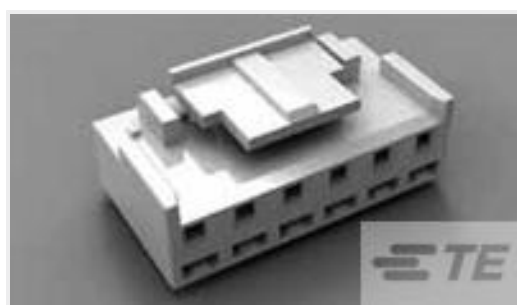
TE Part #2-1123722-4
3.96 EP PLUG HSG 4P(YELLOW)



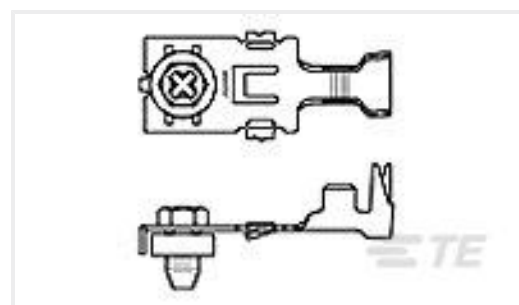
TE Part #521844-1
POWER BLOCK ASSEMBLY 16-12 AWG BR



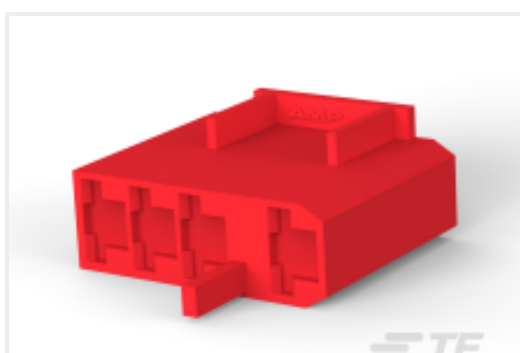
TE Part #63959-1
187 FASTON REC 20-16 AWG NPST



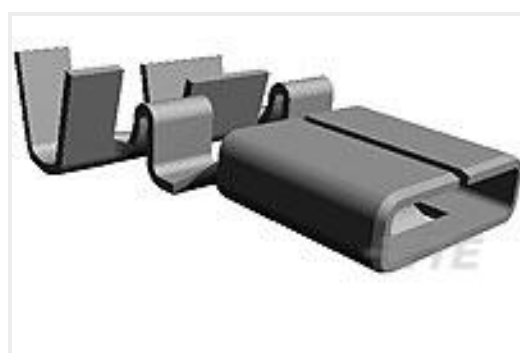
TE Part #3-1123722-6
3.96 EP PLUG HSG 6P(BLUE)



TE Part #521843-1
POWER BLOCK ASSEMBLY 16-12 AWG PTPBR



TE Part #2-521498-2
250 FASTON HSG.,REC.,4 POS,RED



TE Part #1544113-1
CLIP DRAPEAU 6,35

Documents



Product Drawings

[250 FASTON,REC.,20-16 AWG,BR](#)

English

CAD Files

[3D PDF](#)

3D

Customer View Model

[ENG_CVM_CVM_160807-2_A.2d_dxf.zip](#)

English

Customer View Model

[ENG_CVM_CVM_160807-2_A.3d_igs.zip](#)

English

Customer View Model

[ENG_CVM_CVM_160807-2_A.3d_stp.zip](#)

English

By downloading the CAD file I accept and agree to the [Terms and Conditions](#) of use.

Product Specifications

[Application Specification](#)

English