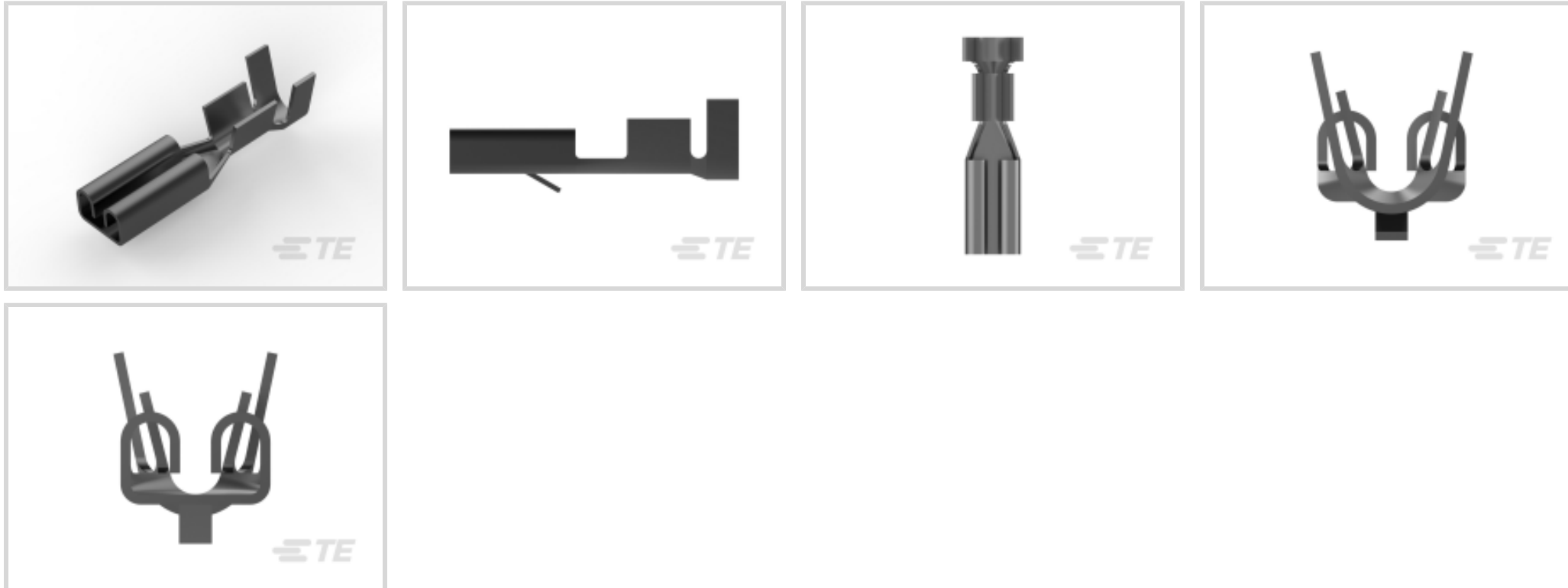




Terminals & Splices > Quick Disconnects



Quick Disconnect Terminal Type: **Receptacle**

Wire Size: .51 – 1.03 mm<sup>2</sup>

Mating Tab Width: 2.8 mm [.11 in]

Mating Tab Thickness: .51 mm [.02 in]

## Features

### Termination Features

Product Terminates To	Wire & Cable
-----------------------	--------------

### Configuration Features

Compatible With Wire & Cable Type	Discrete Wire
Connection Capacity	Single

### Mechanical Attachment

Locking Lance Height	.95 mm
Wire Insulation Support	With
Mating Retention Type	Locking Lance

### Packaging Features

Packaging Quantity	10000
Packaging Method	Strip/Reel

### Dimensions

Product Length	14 mm [.551 in]
Compatible Insulation Diameter Range	2.01 – 3 mm [.079 – .118 in]



Terminal Material Thickness	.25 mm[.01 in]
Wire Size	.51 – 1.03 mm <sup>2</sup>

### Product Type Features

Insertion Force	Normal
-----------------	--------

### Contact Features

Quick Disconnect Terminal Type	Receptacle
Mating Tab Width	2.8 mm[.11 in]
Mating Tab Thickness	.51 mm[.02 in]
Terminal Orientation	Straight
Contact Base Material	Brass
Terminal Plating Material	Pre-Tin
Crimp Type	F-Crimp
Barrel Type	Open

### Usage Conditions

Insulation Option	Uninsulated
Operating Temperature Range	-40 – 110 °C[-40 – 230 °F]

### Other

EU RoHS Compliance	Compliant
EU ELV Compliance	Compliant

### Product Compliance

[For compliance documentation, visit the product page on TE.com>](#)

EU RoHS Directive 2011/65/EU	Compliant
EU ELV Directive 2000/53/EC	Compliant
China RoHS 2 Directive MIIT Order No 32, 2016	No Restricted Materials Above Threshold
EU REACH Regulation (EC) No. 1907/2006	Current ECHA Candidate List: JUNE 2024 (241) Candidate List Declared Against: JUNE 2024 (241) Does not contain REACH SVHC
Halogen Content	Low Halogen - Br, Cl, F, I < 900 ppm per homogenous material. Also BFR/CFR/PVC Free
Solder Process Capability	Not applicable for solder process capability

## Product Compliance Disclaimer

This information is provided based on reasonable inquiry of our suppliers and represents our current actual knowledge based on the information they provided. This information is subject to change. The part numbers that TE has identified as EU RoHS compliant have a maximum concentration of 0.1% by weight in homogenous materials for lead, hexavalent chromium, mercury, PBB, PBDE, DBP, BBP, DEHP, DIBP, and 0.01% for cadmium, or qualify for an exemption to these limits as defined in the Annexes of Directive 2011/65/EU (RoHS2). Finished electrical and electronic equipment products will be CE marked as required by Directive 2011/65/EU. Components may not be CE marked. Additionally, the part numbers that TE has identified as EU ELV compliant have a maximum concentration of 0.1% by weight in homogenous materials for lead, hexavalent chromium, and mercury, and 0.01% for cadmium, or qualify for an exemption to these limits as defined in the Annexes of Directive 2000/53/EC (ELV). Regarding the REACH Regulation, the information TE provides on SVHC in articles for this part number is based on the latest European Chemicals Agency (ECHA) 'Guidance on requirements for substances in articles' posted at this URL: <https://echa.europa.eu/guidance-documents/guidance-on-reach>

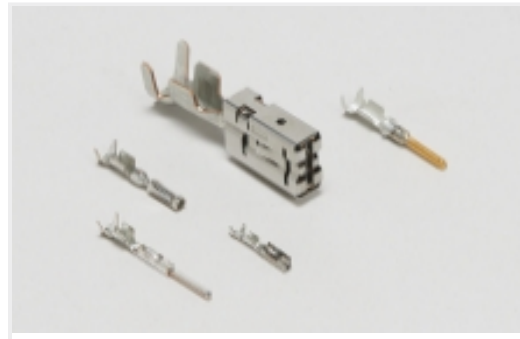
## Compatible Parts



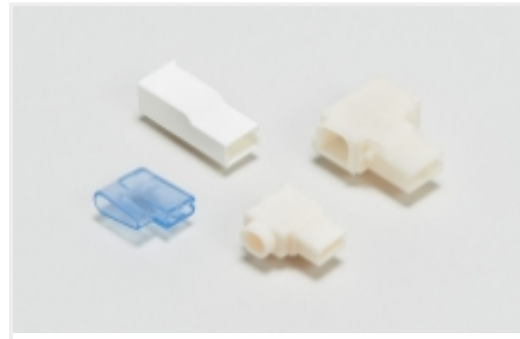
Also in the Series | **FASTIN-FASTON 110**



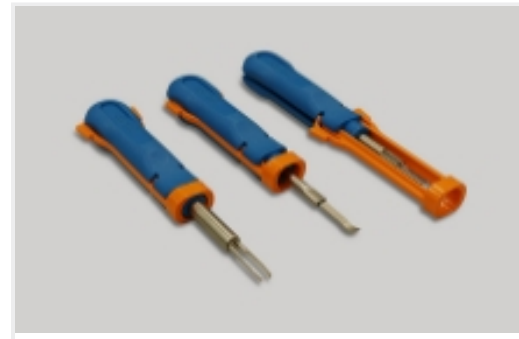
Automotive Housings(6)



Automotive Terminals(5)



Crimp Terminal Housings(34)

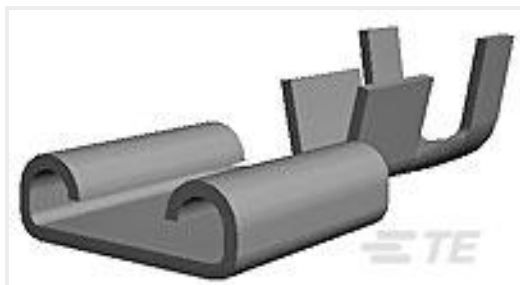


Insertion & Extraction Tools(3)



Quick Disconnects(79)

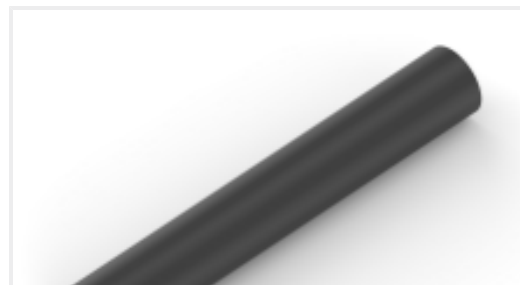
### Customers Also Bought



TE Part #170179-2  
205 FASTON,REC.,18-14 AWG,TPBR



TE Part #726343-2  
SO-RINGZUNGE D46234



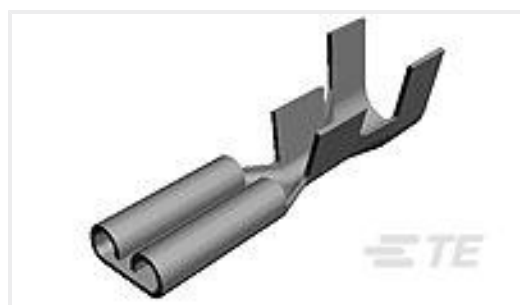
TE Part #NB11644001  
ATUM-6/2-0-SP



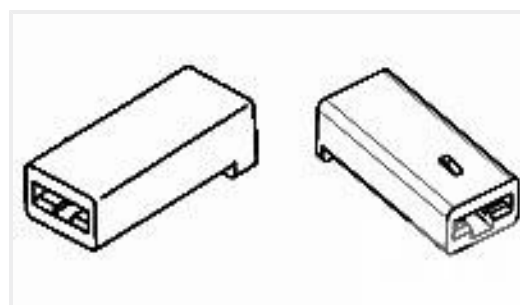
TE Part #40660  
RING 164(4.17 MM) TERMINAL 18-14 AWG BR



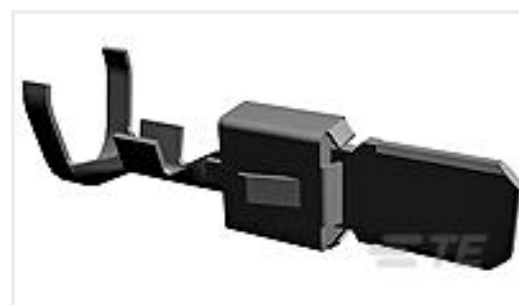
TE Part #2-480435-3  
187 FASTON HSG.,REC.,1 POS,BLACK



TE Part #170213-2  
250 FASTON,REC.,18-14 AWG,TPBR



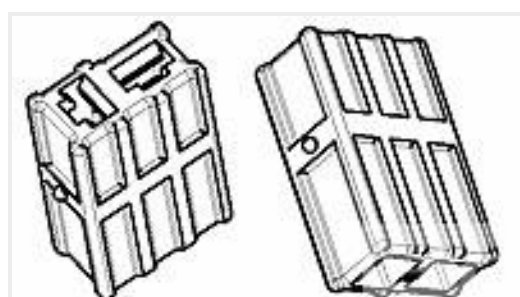
TE Part #925324-2  
FF 250 PLUG HSG 1P NYLON CLEAR



TE Part #964310-1  
TAB A 5.8x0.8 CONTACT CF SWS Sn



TE Part #63477-2  
187 FASTON REC 20-16 AWG TPBR



TE Part #626064  
2 WAY FASTIN-ON 110 HOUSING REC PA66 NAT

### Documents



### Product Drawings

#### FF 110 REC 0.5-1.0MM2 TPBR

English

---

### CAD Files

#### 3D PDF

3D

#### Customer View Model

[ENG\\_CVM\\_CVM\\_160684-4\\_W.2d\\_dxf.zip](#)

English

#### Customer View Model

[ENG\\_CVM\\_CVM\\_160684-4\\_W.3d\\_igs.zip](#)

English

#### Customer View Model

[ENG\\_CVM\\_CVM\\_160684-4\\_W.3d\\_stp.zip](#)

English

#### 3D PDF

English

#### Customer View Model

[ENG\\_CVM\\_160684-4\\_W.3d\\_igs.zip](#)

English

#### Customer View Model

[ENG\\_CVM\\_160684-4\\_W.3d\\_stp.zip](#)

English

#### Customer View Model

[ENG\\_CVM\\_160684-4\\_W.2d\\_dxf.zip](#)

English

By downloading the CAD file I accept and agree to the [Terms and Conditions](#) of use.

---

### Product Specifications

#### Application Specification

English