



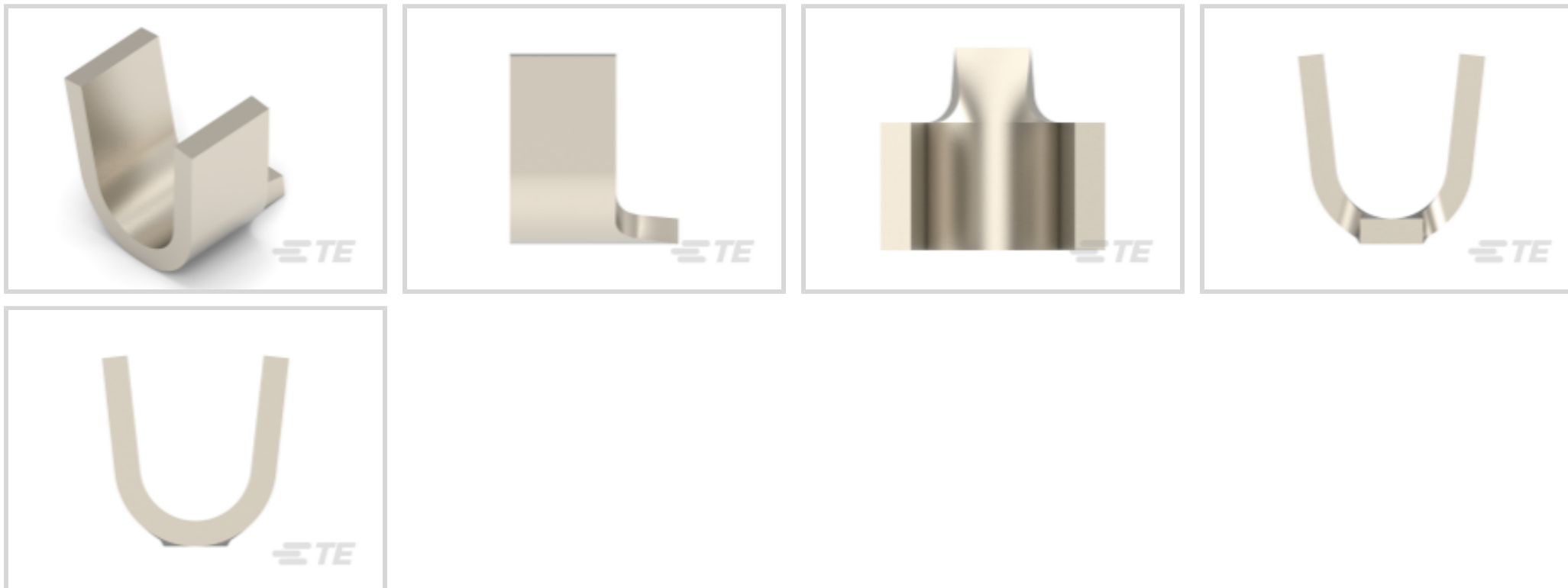
SPLICE

TE Internal #: 160659-2

TE Internal Description: SPLICE 800-2500 .016 NPST

[View on TE.com >](#)

Terminals & Splices > Splices



Splice Type: **Thru Splice**

Wire Size: **800 – 2500 CMA**

Sealable: **No**

Features

Body Features

Product Weight	.036 g
----------------	--------

Packaging Features

Packaging Quantity	50000
Packaging Method	Reel

Product Type Features

Splice Type	Thru Splice
Sealable	No
Compatible With Discrete Wire Type	Solid, Stranded
Wire Insulation Support Retention Type	Non-Insulation Support

Configuration Features

Number of Serrations	0
Compatible With Wire & Cable Type	Discrete Wire

Contact Features

Contact Base Material	Steel
Barrel Type	Open

Mechanical Attachment

Wire Insulation Support	Without
-------------------------	---------

Dimensions

Wire Size	800 – 2500 CMA
Terminal Material Thickness	.41 mm[.016 in]

Usage Conditions

Insulation Option	Uninsulated
Operating Temperature Range	-40 – 250 °C[-40 – 482 °F]

Operation/Application

Compatible With Wire Base Material	Copper
------------------------------------	--------

Industry Standards

Government Qualified Splice	No
-----------------------------	----

Other

EU RoHS Compliance	Compliant
EU ELV Compliance	Compliant

Product Compliance

[For compliance documentation, visit the product page on TE.com>](#)

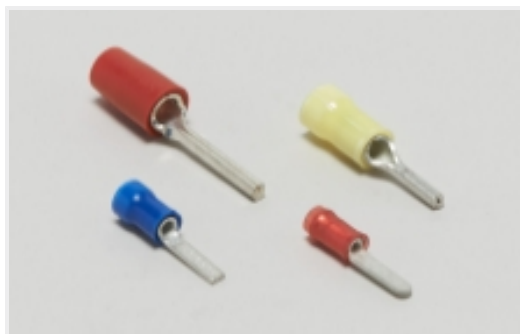
EU RoHS Directive 2011/65/EU	Compliant
EU ELV Directive 2000/53/EC	Compliant
China RoHS 2 Directive MIIT Order No 32, 2016	No Restricted Materials Above Threshold
EU REACH Regulation (EC) No. 1907/2006	Current ECHA Candidate List: JUNE 2024 (241) Candidate List Declared Against: JUNE 2024 (241) Does not contain REACH SVHC
Halogen Content	Low Halogen - Br, Cl, F, I < 900 ppm per homogenous material. Also BFR/CFR/PVC Free
Solder Process Capability	Not applicable for solder process capability

Product Compliance Disclaimer

This information is provided based on reasonable inquiry of our suppliers and represents our current actual knowledge based on the information they provided. This information is subject to change. The part numbers that TE has identified as EU RoHS compliant have a maximum concentration of 0.1% by weight in homogenous materials for lead, hexavalent chromium, mercury, PBB, PBDE, DBP, BBP, DEHP, DIBP, and 0.01% for cadmium, or qualify for an exemption to these limits as defined in the Annexes of Directive 2011/65/EU (RoHS2). Finished electrical and electronic equipment products will be CE marked as required by Directive 2011/65/EU. Components may not be CE marked. Additionally, the part numbers that TE has identified as EU ELV compliant have a maximum concentration of 0.1% by weight in homogenous materials for lead, hexavalent chromium, and mercury, and 0.01% for cadmium, or qualify for an exemption to these limits

as defined in the Annexes of Directive 2000/53/EC (ELV). Regarding the REACH Regulation, the information TE provides on SVHC in articles for this part number is based on the latest European Chemicals Agency (ECHA) 'Guidance on requirements for substances in articles' posted at this URL: <https://echa.europa.eu/guidance-documents/guidance-on-reach>

Also in the Series | SPLICE



Crimp Wire Pins, Tabs & Ferrules(1)



Splices(63)

Customers Also Bought



TE Part #170721-2
SOLISTRAND RINGTONG



TE Part #42559-1
250 FASTON TAB NPST



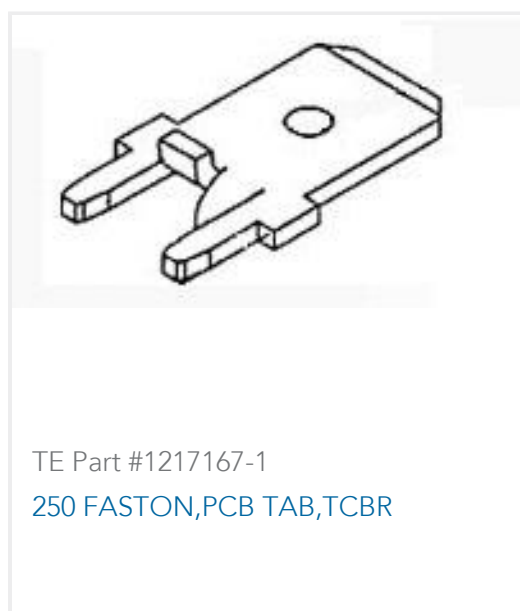
TE Part #42660-1
250 FASTON REC 18-14 AWG BR



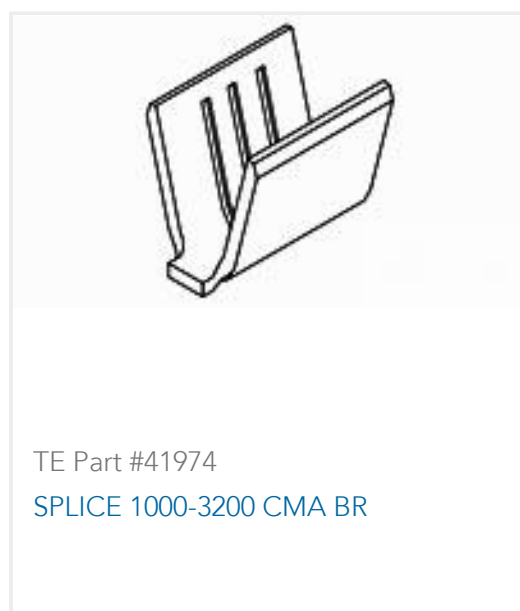
TE Part #62153-1
WELD TAB 20-16 AWG TPSTL



TE Part #NB14912001
DWP-125-3/4-0-STK



TE Part #1217167-1
250 FASTON,PCB TAB,TCBR



TE Part #41974
SPLICE 1000-3200 CMA BR



TE Part #63771-1
187 FASTON TAB NPST



TE Part #1217002-1
250 FASTON,TAB, NPCST



TE Part #61795-3
RING 18-14 AWG TPBR

Documents

[Product Drawings](#)
[SPLICE 800-2500 .016 NPST](#)



English

CAD Files

3D PDF

3D

Customer View Model

[ENG_CVM_CVM_160659-2_H.2d_dxf.zip](#)

English

Customer View Model

[ENG_CVM_CVM_160659-2_H.3d_igs.zip](#)

English

Customer View Model

[ENG_CVM_CVM_160659-2_H.3d_stp.zip](#)

English

By downloading the CAD file I accept and agree to the [Terms and Conditions](#) of use.

Product Specifications

Product Specification

English