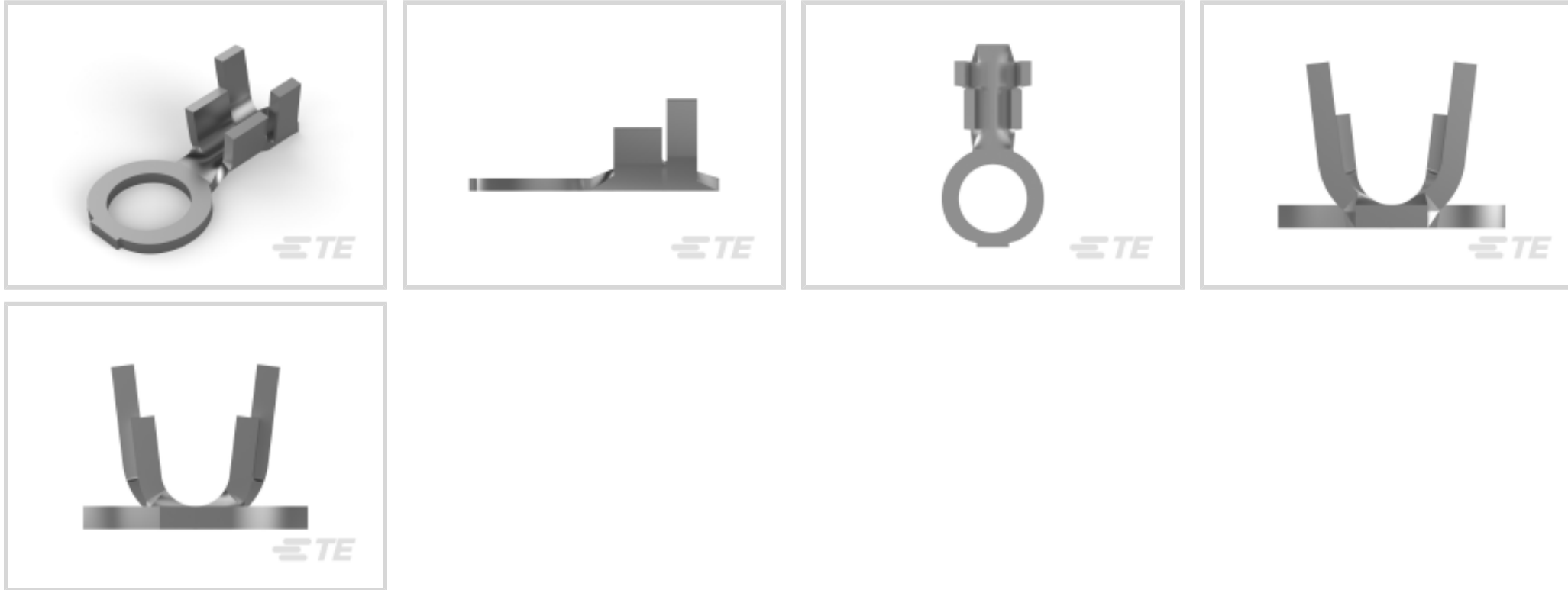




Terminals & Splices > Ring Terminals



Ring Terminal Product Type: Closed Ring Tongue Terminal

Wire Size: 1022 – 2583 CMA

Stud Size: #8, M4

Features

Configuration Features

Number of Holes	2
-----------------	---

Body Features

Product Weight	.442 g
----------------	--------

Mechanical Attachment

Wire Insulation Support	With
-------------------------	------

Industry Standards

Government Qualified Terminal	No
-------------------------------	----

Packaging Features

Packaging Quantity	15000
Packaging Method	Strip/Reel

Contact Features

Contact Base Material	Brass
Barrel Type	Open
Terminal Orientation	Straight
Terminal Plating Material	Tin



Contact Underplating Material	None
-------------------------------	------

Dimensions

	.1 in
Wire Size	1022 – 2583 CMA
Stud Diameter	4.2 mm [.165 in]
Tongue Thickness	.76 mm [.03 in]
Product Length	11.68 mm [.46 in]
Barrel Inside Diameter	1.9 mm, 2.79 mm [.075 in] [.11 in]
Compatible Insulation Diameter (Max)	3.43 mm [.135 in]
Compatible Insulation Diameter Range	2.5 – 3.4 mm [.1 – .135 in]

Product Type Features

Shape Description	Circular/Oval
Ring Terminal Product Type	Closed Ring Tongue Terminal
Stud Size	#8, M4
Sealable	No
Compatible With Discrete Wire Type	Stranded
Wire Insulation Support Retention Type	Insulation Support

Usage Conditions

Insulation Option	Uninsulated
Operating Temperature Range	-40 – 110 °C [-40 – 230 °F]

Operation/Application

Compatible With Wire Base Material	Copper
------------------------------------	--------

Other

EU RoHS Compliance	Compliant
EU ELV Compliance	Compliant

Product Compliance

[For compliance documentation, visit the product page on TE.com>](#)

EU RoHS Directive 2011/65/EU	Compliant
EU ELV Directive 2000/53/EC	Compliant
China RoHS 2 Directive MIIT Order No 32, 2016	No Restricted Materials Above Threshold
EU REACH Regulation (EC) No. 1907/2006	Current ECHA Candidate List: JUNE 2024 (241)



Candidate List Declared Against: JUNE 2024 (241)
Does not contain REACH SVHC

Halogen Content	Low Halogen - Br, Cl, F, I < 900 ppm per homogenous material. Also BFR/CFR/PVC Free
Solder Process Capability	Not applicable for solder process capability

Product Compliance Disclaimer

This information is provided based on reasonable inquiry of our suppliers and represents our current actual knowledge based on the information they provided. This information is subject to change. The part numbers that TE has identified as EU RoHS compliant have a maximum concentration of 0.1% by weight in homogenous materials for lead, hexavalent chromium, mercury, PBB, PBDE, DBP, BBP, DEHP, DIBP, and 0.01% for cadmium, or qualify for an exemption to these limits as defined in the Annexes of Directive 2011/65/EU (RoHS2). Finished electrical and electronic equipment products will be CE marked as required by Directive 2011/65/EU. Components may not be CE marked. Additionally, the part numbers that TE has identified as EU ELV compliant have a maximum concentration of 0.1% by weight in homogenous materials for lead, hexavalent chromium, and mercury, and 0.01% for cadmium, or qualify for an exemption to these limits as defined in the Annexes of Directive 2000/53/EC (ELV). Regarding the REACH Regulation, the information TE provides on SVHC in articles for this part number is based on the latest European Chemicals Agency (ECHA) 'Guidance on requirements for substances in articles' posted at this URL: <https://echa.europa.eu/guidance-documents/guidance-on-reach>

Compatible Parts



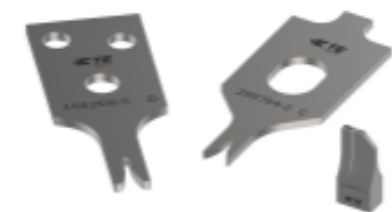
TE Part # 2150461-2
OCEAN_2.0_Applicator-E-120F155F-REA



TE Part # 150070-5
RING



TE Part # 2150461-1
OCEAN_2.0_Applicator-E-120F155F-REM

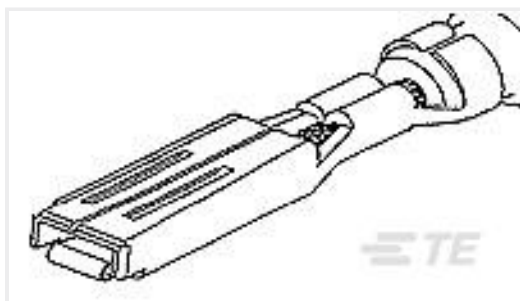


TE Part # 7-2150461-7
OCEAN_2.0_SPARE_PART_KIT-120F155F



TE Part # 346100-4
Ring-Tongue A6-1, similar to DIN 46225

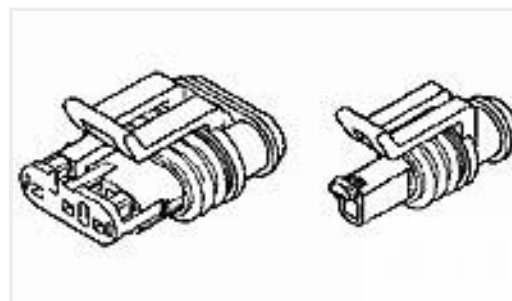
Customers Also Bought



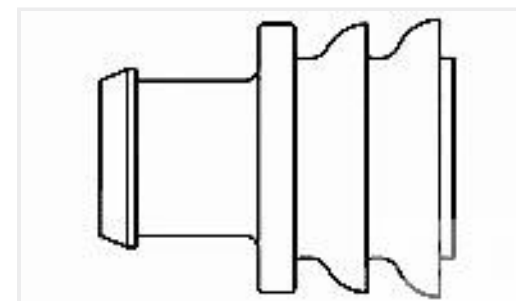
TE Part #282403-1
MINI MIC SRS REC CONT



TE Part #794896-3
2 CIR MINI UMNL RND WIRE HOLES



TE Part #282080-1
AMP SUPERSEAL 1.5 SERIES 2P PL



TE Part #281934-2
SINGLE WIRE SEAL

Documents

Product Drawings

[RING TONGUE I.S.](#)

English

CAD Files

[3D PDF](#)

3D

Customer View Model

[ENG_CVM_CVM_160434-2_H_c-160434-2-h.2d_dxf.zip](#)

English

Customer View Model

[ENG_CVM_CVM_160434-2_H_c-160434-2-h.3d_igs.zip](#)

English

Customer View Model

[ENG_CVM_CVM_160434-2_H_c-160434-2-h.3d_stp.zip](#)

English

By downloading the CAD file I accept and agree to the [Terms and Conditions](#) of use.

Product Specifications

[Product Specification](#)

English

[Product Specification](#)

English

[Product Specification](#)

English