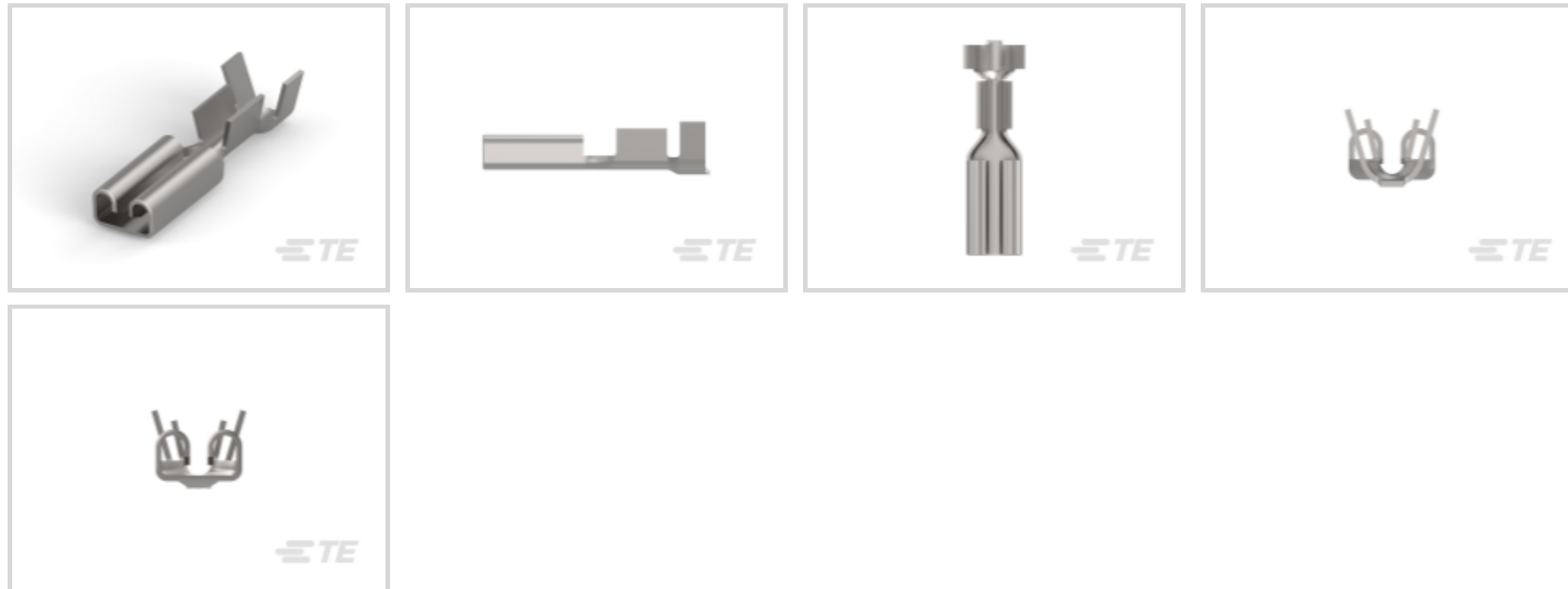




Terminals & Splices > Quick Disconnects



Quick Disconnect Terminal Type: **Receptacle**

Wire Size: .51 – 1.03 mm<sup>2</sup>

Mating Tab Width: 2.8 mm [.11 in]

Mating Tab Thickness: .41 mm [.016 in]

### Features

#### Industry Standards

Compatible With Agency/Standards Products	UL, CSA
---	---------

#### Termination Features

Product Terminates To	Wire & Cable
-----------------------	--------------

#### Configuration Features

Compatible With Wire & Cable Type	Discrete Wire
Connection Capacity	Single

#### Mechanical Attachment

Wire Insulation Support	With
Mating Retention Type	Dimple

#### Packaging Features

Packaging Quantity	10000
Packaging Method	Strip/Reel

#### Dimensions

Product Length	14 mm [.551 in]
----------------	-----------------



Compatible Insulation Diameter Range	2.03 – 3 mm [.08 – .118 in]
--------------------------------------	-----------------------------

Terminal Material Thickness	.25 mm [.01 in]
-----------------------------	-----------------

Wire Size	.51 – 1.03 mm <sup>2</sup>
-----------	----------------------------

### Contact Features

Quick Disconnect Terminal Type	Receptacle
--------------------------------	------------

Mating Tab Width	2.8 mm [.11 in]
------------------	-----------------

Mating Tab Thickness	.41 mm [.016 in]
----------------------	------------------

Terminal Orientation	Straight
----------------------	----------

Contact Base Material	Brass
-----------------------	-------

Terminal Plating Material	Tin
---------------------------	-----

Crimp Type	F-Crimp
------------	---------

Barrel Type	Open
-------------	------

### Usage Conditions

Insulation Option	Uninsulated
-------------------	-------------

Operating Temperature Range	-40 – 110 °C [-40 – 230 °F]
-----------------------------	-----------------------------

### Other

EU RoHS Compliance	Compliant
--------------------	-----------

EU ELV Compliance	Compliant
-------------------	-----------

### Product Compliance

[For compliance documentation, visit the product page on TE.com>](#)

EU RoHS Directive 2011/65/EU	Compliant
------------------------------	-----------

EU ELV Directive 2000/53/EC	Compliant
-----------------------------	-----------

China RoHS 2 Directive MIIT Order No 32, 2016	No Restricted Materials Above Threshold
---	---

EU REACH Regulation (EC) No. 1907/2006	Current ECHA Candidate List: JUNE 2024 (241) Candidate List Declared Against: JUNE 2024 (241) Does not contain REACH SVHC
--	---

Halogen Content	Low Halogen - Br, Cl, F, I < 900 ppm per homogenous material. Also BFR/CFR/PVC Free
-----------------	---

Solder Process Capability	Not applicable for solder process capability
---------------------------	--

Product Compliance Disclaimer



This information is provided based on reasonable inquiry of our suppliers and represents our current actual knowledge based on the information they provided. This information is subject to change. The part numbers that TE has identified as EU RoHS compliant have a maximum concentration of 0.1% by weight in homogenous materials for lead, hexavalent chromium, mercury, PBB, PBDE, DBP, BBP, DEHP, DIBP, and 0.01% for cadmium, or qualify for an exemption to these limits as defined in the Annexes of Directive 2011/65/EU (RoHS2). Finished electrical and electronic equipment products will be CE marked as required by Directive 2011/65/EU. Components may not be CE marked. Additionally, the part numbers that TE has identified as EU ELV compliant have a maximum concentration of 0.1% by weight in homogenous materials for lead, hexavalent chromium, and mercury, and 0.01% for cadmium, or qualify for an exemption to these limits as defined in the Annexes of Directive 2000/53/EC (ELV). Regarding the REACH Regulation, the information TE provides on SVHC in articles for this part number is based on the latest European Chemicals Agency (ECHA) 'Guidance on requirements for substances in articles' posted at this URL: <https://echa.europa.eu/guidance-documents/guidance-on-reach>

## Compatible Parts



TE Part # 2150203-2  
OCEAN\_2.0\_APPLICATOR-E-070F120FA-REA



TE Part # 444149-2  
.110S FASTON REC



KIT  
REPRESENTATION ONLY

TE Part # 7-2150203-7  
OCEAN\_2.0\_SPARE\_PART\_KIT-070F120F

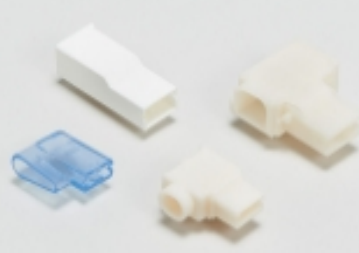


TE Part # 2150203-1  
OCEAN\_2.0\_APPLICATOR-E-070F120F-REM




TE Part # 881608-2  
.110 S. FASTON REC.

## Also in the Series | FASTON 110




Crimp Terminal Housings(13)



Insertion & Extraction Tools(1)

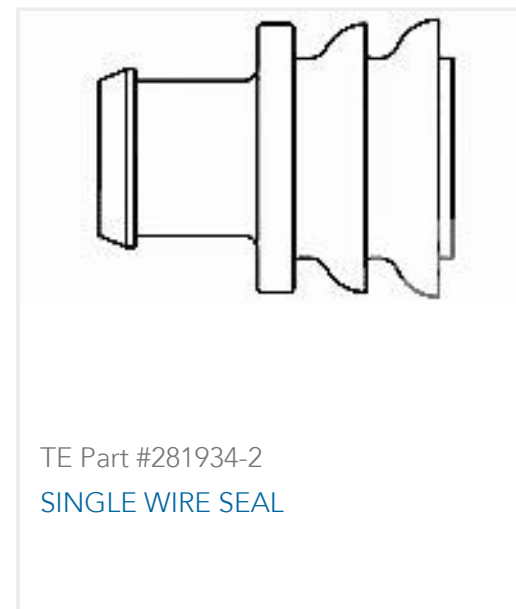
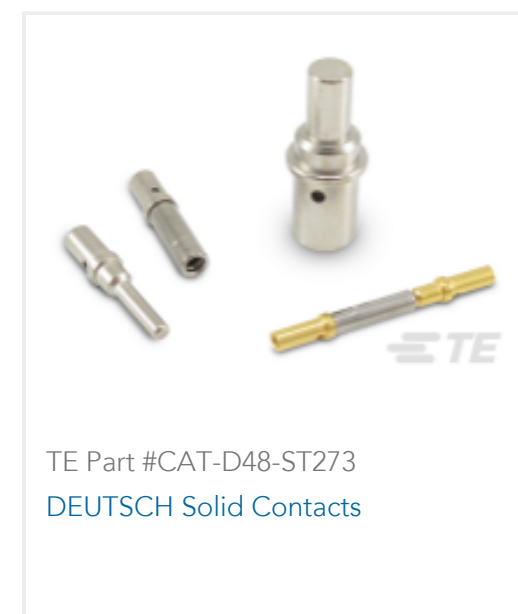


PCB Terminals(22)



Quick Disconnects(168)

## Customers Also Bought



## Documents

### Product Drawings

110 FASTON,REC.,20-17 AWG,BR

English

### CAD Files

3D PDF

3D

Customer View Model

[ENG\\_CVM\\_CVM\\_160415-2\\_AR.2d\\_dxf.zip](#)

English

Customer View Model

[ENG\\_CVM\\_CVM\\_160415-2\\_AR.3d\\_igs.zip](#)

English

Customer View Model

[ENG\\_CVM\\_CVM\\_160415-2\\_AR.3d\\_stp.zip](#)

English

By downloading the CAD file I accept and agree to the [Terms and Conditions](#) of use.

### Product Specifications

FASTON Receptacle Contacts, 110 Series

English

### Agency Approvals

UL Report

English