



Terminals & Splices > Ring Terminals



Ring Terminal Product Type: Closed Ring Tongue Terminal

Wire Size: 1021 – 2582 CMA

Stud Size: #8, M4

## Features

### Configuration Features

|                 |   |
|-----------------|---|
| Number of Holes | 1 |
|-----------------|---|

### Body Features

|                |        |
|----------------|--------|
| Product Weight | .808 g |
|----------------|--------|

### Mechanical Attachment

|                         |      |
|-------------------------|------|
| Wire Insulation Support | With |
|-------------------------|------|

### Industry Standards

|                               |    |
|-------------------------------|----|
| Government Qualified Terminal | No |
|-------------------------------|----|

### Packaging Features

|                    |            |
|--------------------|------------|
| Packaging Quantity | 15000      |
| Packaging Method   | Strip/Reel |

### Contact Features

|                           |          |
|---------------------------|----------|
| Contact Base Material     | Brass    |
| Barrel Type               | Open     |
| Terminal Orientation      | Straight |
| Terminal Plating Material | Tin      |



|                               |      |
|-------------------------------|------|
| Contact Underplating Material | None |
|-------------------------------|------|

### Dimensions

|                                      |                                     |
|--------------------------------------|-------------------------------------|
|                                      | .07 in                              |
| Wire Size                            | 1021 – 2582 CMA                     |
| Stud Diameter                        | 4.2 mm [.165 in]                    |
| Tongue Thickness                     | .76 mm [.03 in]                     |
| Product Length                       | 12.45 mm [.49 in]                   |
| Barrel Inside Diameter               | 1.9 mm, 2.15 mm [.075 in] [.085 in] |
| Compatible Insulation Diameter (Max) | 2.29 mm [.09 in]                    |
| Compatible Insulation Diameter Range | 1.8 – 2.3 mm [.07 – .09 in]         |

### Product Type Features

|  |                             |
|--|-----------------------------|
| Shape Description                      | Circular/Oval               |
| Ring Terminal Product Type             | Closed Ring Tongue Terminal |
| Stud Size                              | #8, M4                      |
| Sealable                               | No                          |
| Compatible With Discrete Wire Type     | Stranded                    |
| Wire Insulation Support Retention Type | Insulation Support          |

### Usage Conditions

|                             |                             |
|-----------------------------|-----------------------------|
| Insulation Option           | Uninsulated                 |
| Operating Temperature Range | -40 – 110 °C [-40 – 230 °F] |

### Operation/Application

|                                    |        |
|------------------------------------|--------|
| Compatible With Wire Base Material | Copper |
|------------------------------------|--------|

### Other

|                    |           |
|--------------------|-----------|
| EU RoHS Compliance | Compliant |
| EU ELV Compliance  | Compliant |

### Product Compliance

[For compliance documentation, visit the product page on TE.com>](#)

|   |  |
|---|--|
| EU RoHS Directive 2011/65/EU                  | Compliant                                    |
| EU ELV Directive 2000/53/EC                   | Compliant                                    |
| China RoHS 2 Directive MIIT Order No 32, 2016 | No Restricted Materials Above Threshold      |
| EU REACH Regulation (EC) No. 1907/2006        | Current ECHA Candidate List: JUNE 2024 (241) |

Candidate List Declared Against: JUNE 2024 (241)

Does not contain REACH SVHC

Halogen Content

Low Halogen - Br, Cl, F, I < 900 ppm per homogenous material. Also BFR/CFR/PVC Free

Solder Process Capability

Not applicable for solder process capability

Product Compliance Disclaimer

This information is provided based on reasonable inquiry of our suppliers and represents our current actual knowledge based on the information they provided. This information is subject to change. The part numbers that TE has identified as EU RoHS compliant have a maximum concentration of 0.1% by weight in homogenous materials for lead, hexavalent chromium, mercury, PBB, PBDE, DBP, BBP, DEHP, DIBP, and 0.01% for cadmium, or qualify for an exemption to these limits as defined in the Annexes of Directive 2011/65/EU (RoHS2). Finished electrical and electronic equipment products will be CE marked as required by Directive 2011/65/EU. Components may not be CE marked. Additionally, the part numbers that TE has identified as EU ELV compliant have a maximum concentration of 0.1% by weight in homogenous materials for lead, hexavalent chromium, and mercury, and 0.01% for cadmium, or qualify for an exemption to these limits as defined in the Annexes of Directive 2000/53/EC (ELV). Regarding the REACH Regulation, the information TE provides on SVHC in articles for this part number is based on the latest European Chemicals Agency (ECHA) 'Guidance on requirements for substances in articles' posted at this URL: <https://echa.europa.eu/guidance-documents/guidance-on-reach>

### Compatible Parts



TE Part # 160548-2  
RING TONGUE 22-20 AWG .0120 X .290 PTPBR



TE Part # 4150044-1  
OCEAN\_2.0\_APPLICATOR-E-120F120O-REM



TE Part # 4150044-2  
OCEAN\_2.0\_APPLICATOR-E-120F120O-REA



TE Part # 7-4150044-7  
OCEAN\_2.0\_SPARE\_PART\_KIT-120F120O

### Customers Also Bought



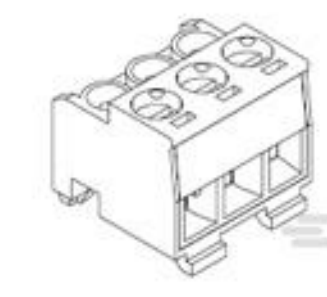
TE Part #1744525-3  
EP 03P RA-HDR ASY NO 2 PIN



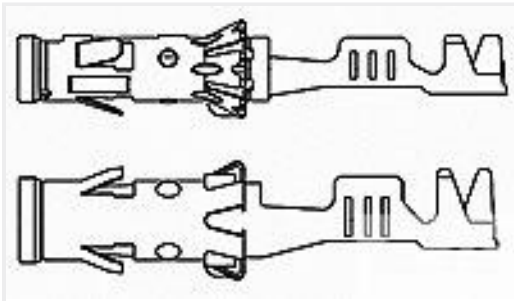
TE Part #2151803-2  
OCEAN\_2.0\_APPLICATOR-S-066F090OV-RSA



TE Part #1-2035077-3  
PLUG HSG, 4 POSN HYBRID 0.64/2



TE Part #1546173-2  
5MM PLUG,90/180,2 POS, GREEN, SN



TE Part #1718188-1

HIGH PRESSURE SOCKET 4MM

TE Part #5677704003  
RNF-3000-3/1-4-SPTE Part #2834049-1  
REC, 2P LATCHED POKE-IN WTW  
CONN.NLTE Part #CAT-T4827-T273  
TIMER, RECEPTACLE AND TAB  
CONN.NLTE Part #1456989-5  
2x8 Fem unsealed LP assy Key D

## Documents

### CAD Files

3D PDF

3D

Customer View Model

[ENG\\_CVM\\_CVM\\_160018-2\\_T.2d\\_dxf.zip](#)

English

Customer View Model

[ENG\\_CVM\\_CVM\\_160018-2\\_T.3d\\_igs.zip](#)

English

Customer View Model

[ENG\\_CVM\\_CVM\\_160018-2\\_T.3d\\_stp.zip](#)

English

By downloading the CAD file I accept and agree to the [Terms and Conditions](#) of use.

### Product Specifications

Application Specification

English

Application Specification

English