



Nanonics

TE Internal #: 1589691-1

Standard Circular Connectors, Wire-to-Wire, 7 Position, Sealable, Wire & Cable, Signal, Cable Mount (Free-Hanging), Electroless Nickel, Aluminum

[View on TE.com >](#)

Connectors > Circular Connectors > Standard Circular Connectors > NANONICS 7 Pin Circular Connector: Plug, Quick Disconnect



Number of Positions: 7

Connector System: **Wire-to-Wire**

Sealable: **Yes**

Connector & Contact Terminates To: **Wire & Cable**

Contact Current Rating (Max): **1 A**

[All NANONICS 7 Pin Circular Connector: Plug, Quick Disconnect \(8\)](#)

Features

Packaging Features

Packaging Quantity	1
--------------------	---

Usage Conditions

IP Water Sealing Level	IP68
Operating Temperature Range	-67 – 392 °C

Dimensions

Assembly Length	318.14 mm[12.525 in]
Wire Size	30 AWG

Body Features

O-Ring Material	Fluorosilicone
Shell Plating Material	Electroless Nickel
Shell Base Material	Aluminum
Circular Connector Insulation Material Type	LCP (Liquid Crystal Polymer)
Hermetically Sealed	Yes

Mechanical Attachment

Mating Retention Type	Push-Pull Quick Disconnect
Connector Mounting Type	Cable Mount (Free-Hanging)



Mating Retention	With
------------------	------

Product Type Features

Circular Connector Shell Type	Metal-Shell
Connector System	Wire-to-Wire
Sealable	Yes
Connector & Contact Terminates To	Wire & Cable
Circular Connector Type	Plug
Shell Type	Metal

Configuration Features

Factory Installed Backshell	With
Number of Positions	7
Contacts Preloaded	Yes

Contact Features

Contact Current Rating (Max)	1 A
Circular Connector Contact Type	Pin

Operation/Application

Circuit Application	Signal
---------------------	--------

Other

EU RoHS Compliance	Compliant
EU ELV Compliance	Compliant

Product Compliance

[For compliance documentation, visit the product page on TE.com>](#)

EU RoHS Directive 2011/65/EU	Compliant
EU ELV Directive 2000/53/EC	Compliant
China RoHS 2 Directive MIIT Order No 32, 2016	No Restricted Materials Above Threshold
EU REACH Regulation (EC) No. 1907/2006	Current ECHA Candidate List: JUNE 2024 (241) Candidate List Declared Against: JUNE 2023 (235) Does not contain REACH SVHC
Halogen Content	Not Yet Reviewed for halogen content
Solder Process Capability	Wave solder capable to 265°C

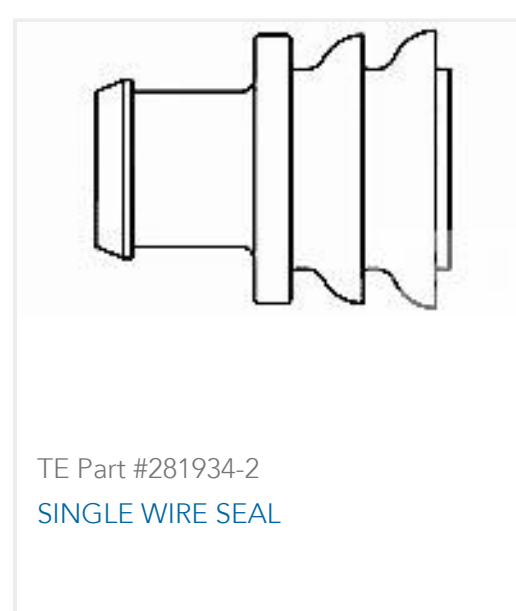
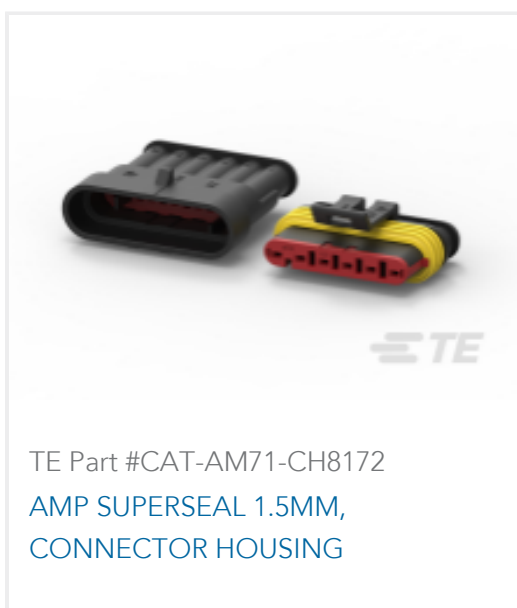
Product Compliance Disclaimer

This information is provided based on reasonable inquiry of our suppliers and represents our current actual knowledge based on the information they provided. This information is subject to change. The part numbers that TE has identified as EU RoHS compliant have a maximum concentration of 0.1% by weight in homogenous materials for lead, hexavalent chromium, mercury, PBB, PBDE, DBP, BBP, DEHP, DIBP, and 0.01% for cadmium, or qualify for an exemption to these limits as defined in the Annexes of Directive 2011/65/EU (RoHS2). Finished electrical and electronic equipment products will be CE marked as required by Directive 2011/65/EU. Components may not be CE marked. Additionally, the part numbers that TE has identified as EU ELV compliant have a maximum concentration of 0.1% by weight in homogenous materials for lead, hexavalent chromium, and mercury, and 0.01% for cadmium, or qualify for an exemption to these limits as defined in the Annexes of Directive 2000/53/EC (ELV). Regarding the REACH Regulation, the information TE provides on SVHC in articles for this part number is based on the latest European Chemicals Agency (ECHA) 'Guidance on requirements for substances in articles' posted at this URL: <https://echa.europa.eu/guidance-documents/guidance-on-reach>

Compatible Parts



Customers Also Bought



Documents

Product Drawings

QCM007PC2DC012B = CIRCULAR

English

CAD Files



Customer View Model

[ENG_CVM_CVM_1589691-1_E.2d_dxf.zip](#)

English

3D PDF

3D

Customer View Model

[ENG_CVM_CVM_1589691-1_E.3d_igs.zip](#)

English

Customer View Model

[ENG_CVM_CVM_1589691-1_E.3d_stp.zip](#)

English

By downloading the CAD file I accept and agree to the [Terms and Conditions](#) of use.

Datasheets & Catalog Pages

[1589691 Nanonics Cross Reference](#)

English