

# PRASD3-16F-BB0GW ✓ ACTIVE

## Alcoswitch

TE Internal #: 1571079-9

High Power Rocker Switch, Panel Mount, 13 x 19.2 mm [.514 x .754 in] Panel Cutout, Silver Contact Plating

[View on TE.com >](#)



Switches > Rocker Switches



Switch Type: **High Power Rocker Switch**

Product Mount Type: **Panel Mount**

Indicator/Imprint Legend: **I O II**

Panel Cutout Size: **13 x 19.2 mm [.514 x .754 in]**

Switch Contact Plating Material: **Silver**

## Features

### Industry Standards

Compatible With Agency/Standards Products	VDE
Compatible With Approved Standards Products	UL E46765

### Housing Features

Process Sealed	No
----------------	----

### Body Features

Product Orientation	Vertical
Actuator Color	Black

### Contact Features

Terminal Tab Width	4.75 mm[.187 in]
Switch Contact Plating Material	Silver

### Product Type Features

Switch Type	High Power Rocker Switch
Actuator Type	Top
Actuator Style	Rocker



Switch Connection Type

Quick Connect Terminal

**Mechanical Attachment**

Product Mount Type

Panel Mount

**Configuration Features**

Indicator/Imprint Legend

I O II

Panel Cutout Size

13 x 19.2 mm [.514 x .754 in]

Configuration (Pole-Throw)

Single Pole - Double Throw

Operating Function

On Off On

**Electrical Characteristics**

Contact Current Rating

16 A

Operating Voltage Range

125 VAC

**Other**

EU RoHS Compliance

Compliant

EU ELV Compliance

Compliant

**Product Compliance**

[For compliance documentation, visit the product page on TE.com>](#)

EU RoHS Directive 2011/65/EU

Compliant

EU ELV Directive 2000/53/EC

Compliant

China RoHS 2 Directive MIIT Order No 32, 2016

No Restricted Materials Above Threshold

EU REACH Regulation (EC) No. 1907/2006

Current ECHA Candidate List: JUNE 2024 (241)  
Candidate List Declared Against: JAN 2022 (223)  
Does not contain REACH SVHC

Halogen Content

Low Halogen - Br, Cl, F, I < 900 ppm per homogenous material. Also BFR/CFR/PVC Free

Solder Process Capability

Not applicable for solder process capability

**Product Compliance Disclaimer**

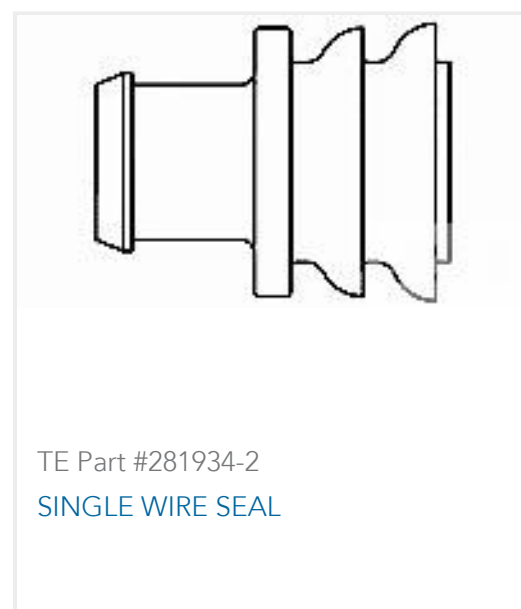
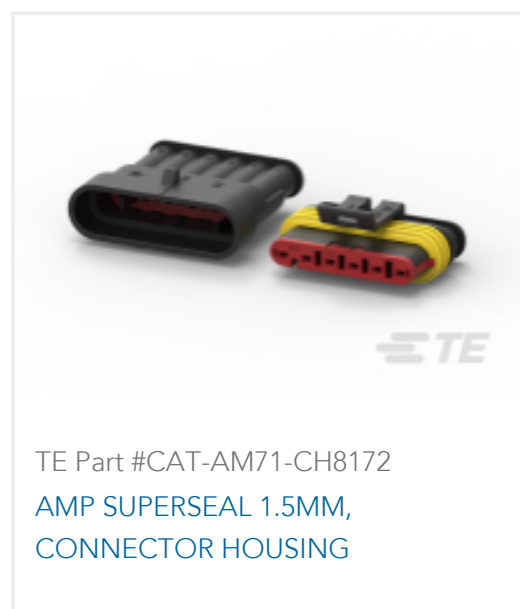
This information is provided based on reasonable inquiry of our suppliers and represents our current actual knowledge based on the information they provided. This information is subject to change. The part numbers that TE has identified as EU RoHS compliant have a maximum concentration of 0.1% by weight in homogenous materials for lead, hexavalent chromium, mercury, PBB, PBDE, DBP, BBP, DEHP, DIBP, and 0.01% for cadmium, or qualify for an exemption to these limits as defined in the Annexes of Directive 2011/65/EU (RoHS2). Finished electrical and electronic equipment products will be CE marked as required by Directive 2011/65/EU. Components may not be CE marked. Additionally, the part numbers that TE has identified as EU ELV compliant have a maximum concentration of 0.1% by weight in homogenous materials for lead, hexavalent chromium, and mercury, and 0.01% for cadmium, or qualify for an exemption to these limits

as defined in the Annexes of Directive 2000/53/EC (ELV). Regarding the REACH Regulation, the information TE provides on SVHC in articles for this part number is based on the latest European Chemicals Agency (ECHA) 'Guidance on requirements for substances in articles' posted at this URL: <https://echa.europa.eu/guidance-documents/guidance-on-reach>

## Compatible Parts



## Customers Also Bought



## Documents

### Product Drawings

PRASD3-16F-BB0GW=POWER ROCKER

English



---

### CAD Files

Customer View Model

[ENG\\_CVM\\_CVM\\_1571079-9\\_N.3d\\_igs.zip](#)

English

Customer View Model

[ENG\\_CVM\\_CVM\\_1571079-9\\_N.3d\\_stp.zip](#)

English

Customer View Model

[ENG\\_CVM\\_CVM\\_1571079-9\\_N.2d\\_dxf.zip](#)

English

**3D PDF**

3D

By downloading the CAD file I accept and agree to the [Terms and Conditions](#) of use.

---

### Datasheets & Catalog Pages

[SWITCHES\\_CORE\\_PROGRAM\\_CATALOG](#)

English

[1654742\\_HOUSEHOLD\\_APPLIANCES\\_RAST5](#)

English