

T9GV2L14-22 ✓ ACTIVE

Potter & Brumfield | Potter & Brumfield T9G

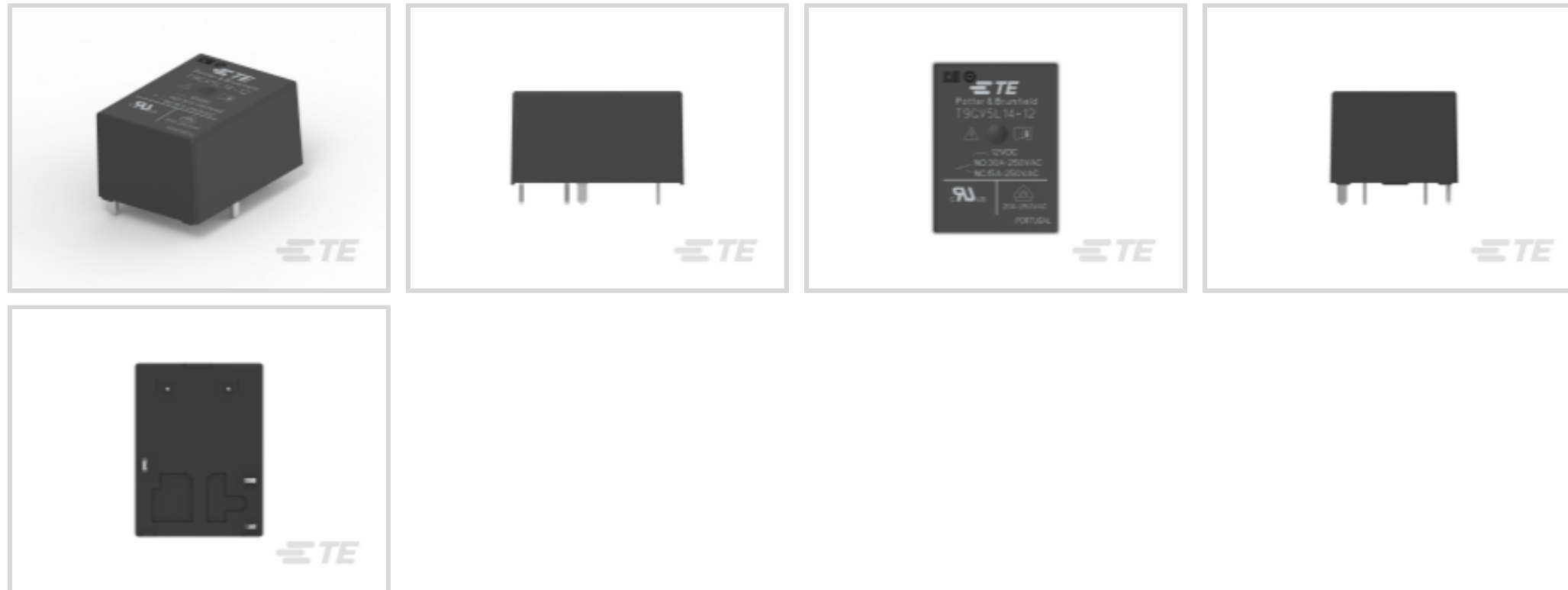
TE Internal #: 1558662-6

General Purpose Power Relay, DC, Monostable, 1 Form B SPST-NC, 20 A Contact Rating, 22 VDC Coil Voltage, Potter & Brumfield T9G

[View on TE.com >](#)



Relays & Contactors > Electromechanical Relays > PCB Power Relay: 30 amp, Monostable DC



Relay & Contactor Type: **General Purpose Power Relay**

Current Type: **DC**

Coil Magnetic System: **Monostable**

Contact Arrangement: **1 Form B SPST-NC**

Contact Current Rating: **20 A**

[All PCB Power Relay: 30 amp, Monostable DC \(60\)](#)

Features

Contact Features

| | |
|------------------|-------|
| Contact Material | AgSnO |
|------------------|-------|

Dimensions

| | |
|----------------|------------------|
| Product Width | 21.5 mm[.846 in] |
| Product Length | 29 mm[1.14 in] |
| Product Height | 15.7 mm[.618 in] |

Packaging Features

| | |
|------------------|---------------|
| Packaging Method | Carton & Tube |
|------------------|---------------|

Other

| | |
|---------------------------|----------------------|
| Contact Current Class | 10 – 20 A, 20 – 30 A |
| Coil Power Rating Class | .8 – 1 W |
| Height Class (Mechanical) | 15 – 16 mm |
| Length Class (Mechanical) | 25 – 30 mm |



| | |
|--------------------------|------------|
| Width Class (Mechanical) | 20 – 25 mm |
| EU RoHS Compliance | Compliant |
| EU ELV Compliance | Compliant |

Usage Conditions

| | |
|---|----------------------------|
| Operating Temperature Range | -40 – 105 °C[-40 – 221 °F] |
| Environmental Category of Protection | RTII |
| Environmental Ambient Temperature (Max) | 105 °C[221 °F] |

Body Features

| | |
|----------------|------------------------------------|
| Product Weight | 18 g[.635 oz] |
| Enclosure Type | Flux Resistant Automatic Soldering |

Mechanical Attachment

| | |
|-------------------------------|---------------|
| Product Mounting Feature Type | Locating Post |
| Product Mount Type | Board Mount |

Electrical Characteristics

| | |
|---|-------------|
| Contact Switching Load (Min) | 100mA @ 12V |
| Coil Resistance | 538 Ω |
| Insulation Initial Dielectric Between Open Contacts | 1500 Vrms |
| Contact Switching Voltage (Max) | 480 VAC |
| Contact Current Rating | 20 A |
| Coil Voltage Rating | 22 VDC |
| Contact Voltage Rating | 250 VAC |
| Coil Power Rating DC | .9 W |
| Insulation Initial Dielectric Between Contacts & Coil | 4000 Vrms |

Configuration Features

| | |
|-------------------------|----------------------------|
| Coil Special Features | UL Coil Insulation Class F |
| Contact Number of Poles | 1 |
| Contact Arrangement | 1 Form B SPST-NC |

Operation/Application

| | |
|----------------------|-------------|
| Solder Process | Wave Solder |
| Current Type | DC |
| Coil Magnetic System | Monostable |

Product Type Features



| | |
|------------------------|-----------------------------|
| Relay & Contactor Type | General Purpose Power Relay |
|------------------------|-----------------------------|

Termination Features

| | |
|------------------------------------|-------------|
| Main Termination & Connection Type | Solder Pins |
| Coil Termination & Connection Type | Solder Pins |

Product Compliance

[For compliance documentation, visit the product page on TE.com>](#)

| | |
|---|---|
| EU RoHS Directive 2011/65/EU | Compliant |
| EU ELV Directive 2000/53/EC | Compliant |
| China RoHS 2 Directive MIIT Order No 32, 2016 | No Restricted Materials Above Threshold |
| EU REACH Regulation (EC) No. 1907/2006 | Current ECHA Candidate List: JUNE 2024 (241) Candidate List Declared Against: JUNE 2024 (241) Does not contain REACH SVHC |
| Halogen Content | Not Low Halogen - contains Br or Cl > 900 ppm. |
| Solder Process Capability | Wave solder capable to 260°C |

Product Compliance Disclaimer

This information is provided based on reasonable inquiry of our suppliers and represents our current actual knowledge based on the information they provided. This information is subject to change. The part numbers that TE has identified as EU RoHS compliant have a maximum concentration of 0.1% by weight in homogenous materials for lead, hexavalent chromium, mercury, PBB, PBDE, DBP, BBP, DEHP, DIBP, and 0.01% for cadmium, or qualify for an exemption to these limits as defined in the Annexes of Directive 2011/65/EU (RoHS2). Finished electrical and electronic equipment products will be CE marked as required by Directive 2011/65/EU. Components may not be CE marked. Additionally, the part numbers that TE has identified as EU ELV compliant have a maximum concentration of 0.1% by weight in homogenous materials for lead, hexavalent chromium, and mercury, and 0.01% for cadmium, or qualify for an exemption to these limits as defined in the Annexes of Directive 2000/53/EC (ELV). Regarding the REACH Regulation, the information TE provides on SVHC in articles for this part number is based on the latest European Chemicals Agency (ECHA) 'Guidance on requirements for substances in articles' posted at this URL: <https://echa.europa.eu/guidance-documents/guidance-on-reach>

Compatible Parts

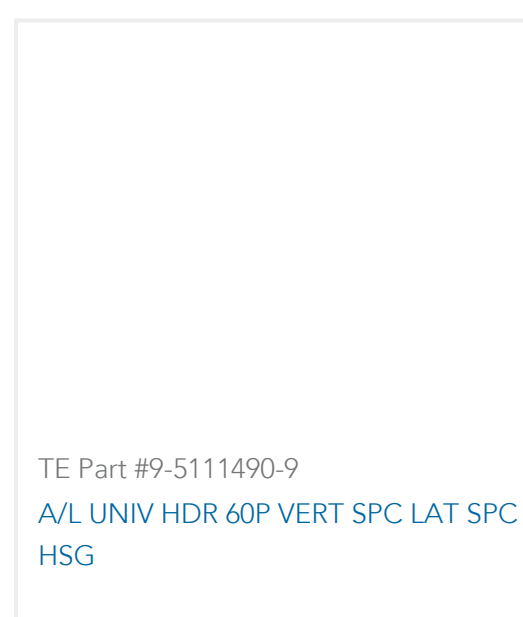
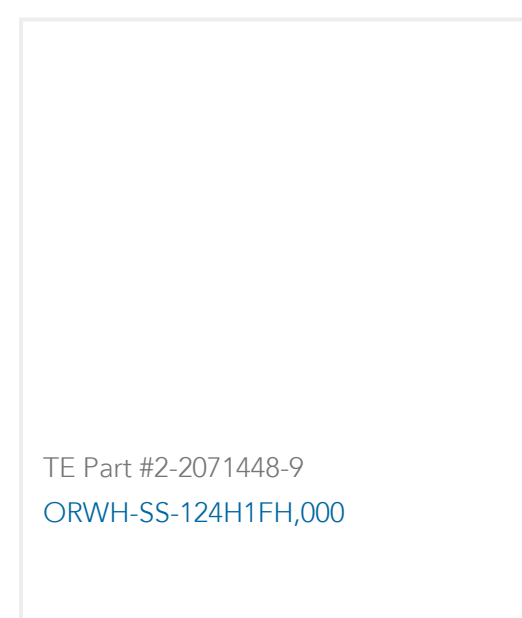
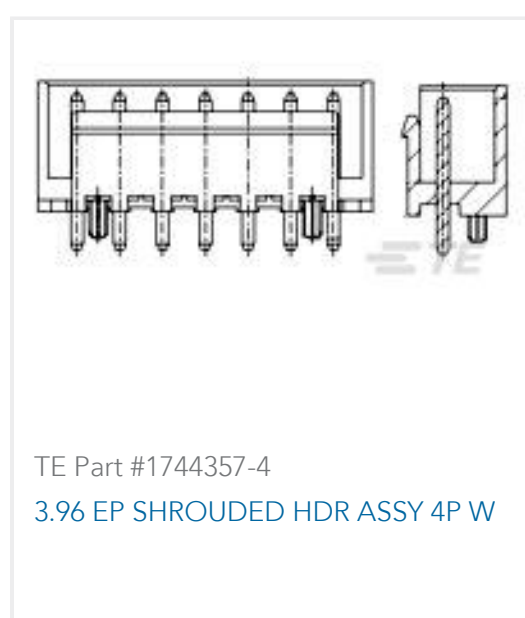




Also in the Series | Potter & Brumfield T9G



Customers Also Bought



Documents

[CAD Files](#)

[3D PDF](#)

[3D](#)

[Customer View Model](#)

[ENG_CVM_CVM_1558662-6_B.2d_dxf.zip](#)

[English](#)

[Customer View Model](#)



[ENG_CVM_CVM_1558662-6_B.3d_igs.zip](#)

English

Customer View Model

[ENG_CVM_CVM_1558662-6_B.3d_stp.zip](#)

English

By downloading the CAD file I accept and agree to the [Terms and Conditions](#) of use.

Datasheets & Catalog Pages

[PB 30A PCB Relay T9G Series](#)

English

[T9G Data Sheet](#)

English

Product Specifications

[Definitions General Purpose Relays](#)

English

Agency Approvals

[VDE Certificate](#)

English