

**Microdot**

TE Internal #: 1532216-2

Plug, Cable-to-Board, 100 Position, 1.27 mm [.05 in] Centerline,  
Wire & Cable, Signal, Panel Mount, Microminiature &  
Nanominiature D Connectors

[View on TE.com >](#)

Connectors &gt; D-Shaped Connectors &gt; Microminiature &amp; Nanominiature D Connectors

Connector & Housing Type: **Plug**Connector System: **Cable-to-Board**Number of Positions: **100**Centerline (Pitch): **1.27 mm [.05 in]**Connector & Contact Terminates To: **Wire & Cable****Features****Contact Features**

Contact Options	Installed
Contact Current Rating (Max)	3 A

**Product Type Features**

Connector & Housing Type	Plug
Connector System	Cable-to-Board
Connector & Contact Terminates To	Wire & Cable

**Configuration Features**

Number of Positions	100
---------------------	-----

**Termination Features**

Termination Method to Wire & Cable	Solder Cup
------------------------------------	------------

**Mechanical Attachment**

Connector Mounting Type	Panel Mount
-------------------------	-------------

**Housing Features**

Centerline (Pitch)	1.27 mm [.05 in]
--------------------	------------------

**Usage Conditions**

Operating Temperature Range	-55 – 125 °C [-67 – 257 °F]
-----------------------------	-----------------------------



**Operation/Application**

Circuit Application	Signal
---------------------	--------

**Other**

EU RoHS Compliance	Not Compliant
EU ELV Compliance	Not Compliant

**Product Compliance**

[For compliance documentation, visit the product page on TE.com>](#)

EU RoHS Directive 2011/65/EU	Not Compliant
EU ELV Directive 2000/53/EC	Not Compliant
China RoHS 2 Directive MIIT Order No 32, 2016	Restricted Materials Above Threshold
EU REACH Regulation (EC) No. 1907/2006	Current ECHA Candidate List: JUNE 2024 (241) Candidate List Declared Against: JUNE 2024 (241) SVHC > Threshold: Cd (100% in Component Part) <b>Article Safe Usage Statements:</b> Use personal protective equipment as required. Do not eat, drink or smoke when using this product. Recycle if possible and dispose of the article by following all applicable governmental regulations relevant to your geographic location.
Halogen Content	Low Halogen - Br, Cl, F, I < 900 ppm per homogenous material. Also BFR/CFR/PVC Free
Solder Process Capability	Not lead free process capable

**Product Compliance Disclaimer**

This information is provided based on reasonable inquiry of our suppliers and represents our current actual knowledge based on the information they provided. This information is subject to change. The part numbers that TE has identified as EU RoHS compliant have a maximum concentration of 0.1% by weight in homogenous materials for lead, hexavalent chromium, mercury, PBB, PBDE, DBP, BBP, DEHP, DIBP, and 0.01% for cadmium, or qualify for an exemption to these limits as defined in the Annexes of Directive 2011/65/EU (RoHS2). Finished electrical and electronic equipment products will be CE marked as required by Directive 2011/65/EU. Components may not be CE marked. Additionally, the part numbers that TE has identified as EU ELV compliant have a maximum concentration of 0.1% by weight in homogenous materials for lead, hexavalent chromium, and mercury, and 0.01% for cadmium, or qualify for an exemption to these limits as defined in the Annexes of Directive 2000/53/EC (ELV). Regarding the REACH Regulation, the information TE provides on SVHC in articles for this part number is based on the latest European Chemicals Agency (ECHA) 'Guidance on requirements for substances in articles' posted at this URL: <https://echa.europa.eu/guidance-documents/guidance-on-reach>

**Customers Also Bought**



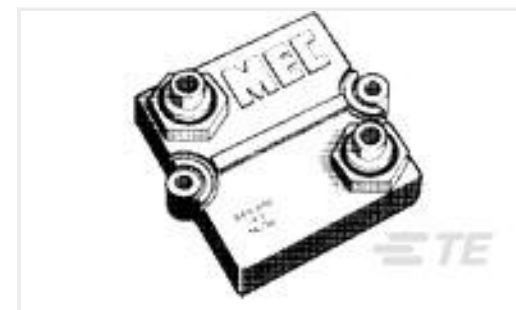
TE Part #CJ8361-000  
S200-3-W2-22-9



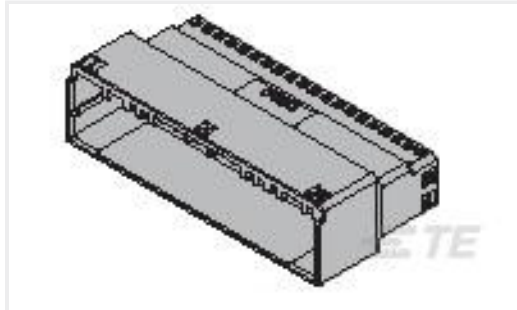
TE Part #204521-2  
AMPLIMITE,ASY,PLUG,STD,90,5



TE Part #F92583-000  
S200-1-00



TE Part #1-1614782-1  
BDS 2 A 100 2R2 10%



TE Part #1-1903127-1  
DYNAMIC 1100D TAB HSG 22P F/H



TE Part #204522-2  
RECEPT ASSY,104 POSN,AMPLIMITE



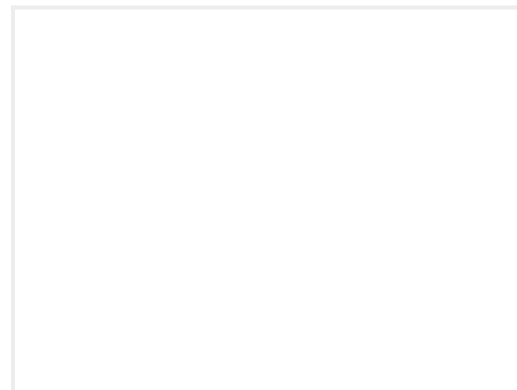
TE Part #204523-2  
AMPLIMITE,ASY,PLUG,STD,90,6



TE Part #2000974-1  
Connector Kit,Plug,Module Card, MT, V66.1



TE Part #CJ8362-000  
S200-4-W2-22-9



TE Part #533311-2  
40 POSN ECON II HDR ASSY

## Documents

### Product Drawings

[M83513/01-HC, MCKS-C2-B-100PS](#)

English

### CAD Files

Customer View Model

[ENG\\_CVM\\_CVM\\_1532216-2\\_B.2d\\_dxf.zip](#)

English

### 3D PDF

3D

Customer View Model

[ENG\\_CVM\\_CVM\\_1532216-2\\_B.3d\\_igs.zip](#)

English

Customer View Model

[ENG\\_CVM\\_CVM\\_1532216-2\\_B.3d\\_stp.zip](#)

English

By downloading the CAD file I accept and agree to the [Terms and Conditions](#) of use.