



FASTON | Special Purpose Terminals

TE Internal #: 1478484-1

Quick Disconnect Receptacle, 25 – 16 AWG, .16 – 1.31 mm² Wire, 4.75 mm [.187 in] Tab Width, Straight Reverse, Brass, Special Purpose Terminals

[View on TE.com >](#)

Terminals & Splices > Quick Disconnects



Quick Disconnect Terminal Type: **Receptacle**

Wire Size: .16 – 1.31 mm²

Mating Tab Width: 4.75 mm [.187 in]

Mating Tab Thickness: .33 mm [.013 in]

Features

Termination Features

Product Terminates To	Wire & Cable
-----------------------	--------------

Configuration Features

Compatible With Wire & Cable Type	Discrete Wire
Connection Capacity	Single

Mechanical Attachment

Wire Insulation Support	With
-------------------------	------

Packaging Features

Packaging Quantity	2500
Packaging Method	Reel

Dimensions

Product Length	22.28 mm [.877 in]
Terminal Material Thickness	.33 mm [.013 in]
Wire Size	.16 – 1.31 mm ²

Product Type Features



Insertion Force	Normal
-----------------	--------

Contact Features

Quick Disconnect Terminal Type	Receptacle
Mating Tab Width	4.75 mm [.187 in]
Mating Tab Thickness	.33 mm [.013 in]
Terminal Orientation	Straight Reverse
Contact Base Material	Brass
Terminal Plating Material	Unplated
Crimp Type	F-Crimp
Barrel Type	Open

Usage Conditions

Insulation Option	Uninsulated
-------------------	-------------

Other

EU RoHS Compliance	Compliant
EU ELV Compliance	Compliant

Product Compliance

[For compliance documentation, visit the product page on TE.com>](#)

EU RoHS Directive 2011/65/EU	Compliant
EU ELV Directive 2000/53/EC	Compliant
China RoHS 2 Directive MIIT Order No 32, 2016	No Restricted Materials Above Threshold
EU REACH Regulation (EC) No. 1907/2006	Current ECHA Candidate List: JUNE 2024 (241) Candidate List Declared Against: JUNE 2024 (241) Does not contain REACH SVHC
Halogen Content	Low Halogen - Br, Cl, F, I < 900 ppm per homogenous material. Also BFR/CFR/PVC Free
Solder Process Capability	Not applicable for solder process capability

Product Compliance Disclaimer

This information is provided based on reasonable inquiry of our suppliers and represents our current actual knowledge based on the information they provided. This information is subject to change. The part numbers that TE has identified as EU RoHS compliant have a maximum concentration of 0.1% by weight in homogenous materials for lead, hexavalent chromium, mercury, PBB, PBDE, DBP, BBP, DEHP, DIBP, and 0.01% for cadmium, or qualify for an exemption to these limits as defined in the Annexes of Directive 2011/65/EU (RoHS2). Finished electrical and electronic equipment products will be CE marked as required by Directive 2011/65/EU. Components may not be CE marked. Additionally, the part

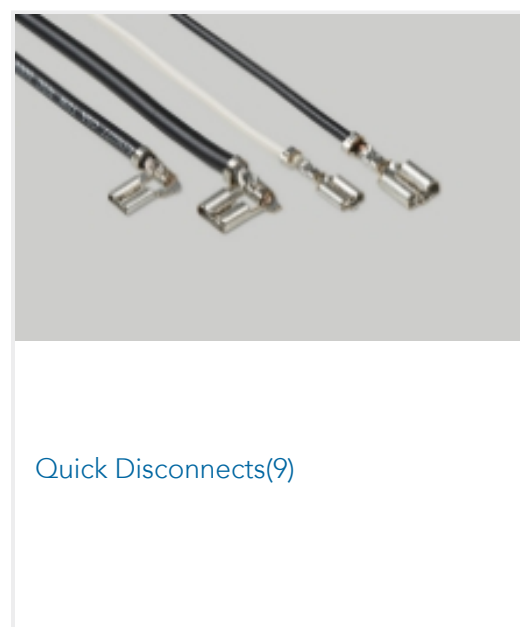
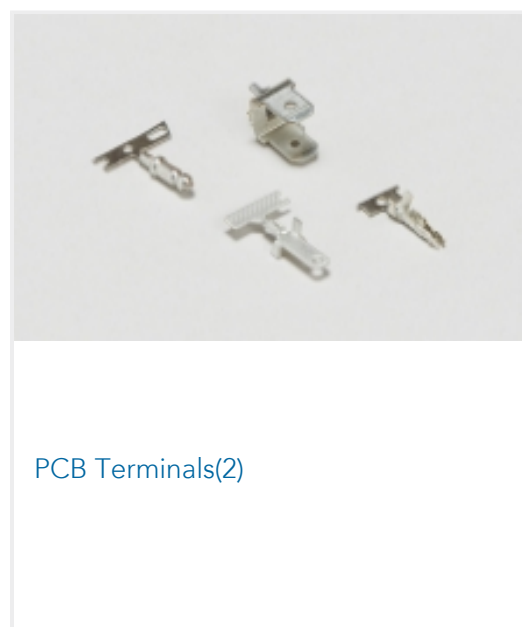


numbers that TE has identified as EU ELV compliant have a maximum concentration of 0.1% by weight in homogenous materials for lead, hexavalent chromium, and mercury, and 0.01% for cadmium, or qualify for an exemption to these limits as defined in the Annexes of Directive 2000/53/EC (ELV). Regarding the REACH Regulation, the information TE provides on SVHC in articles for this part number is based on the latest European Chemicals Agency (ECHA) 'Guidance on requirements for substances in articles' posted at this URL: <https://echa.europa.eu/guidance-documents/guidance-on-reach>

Compatible Parts

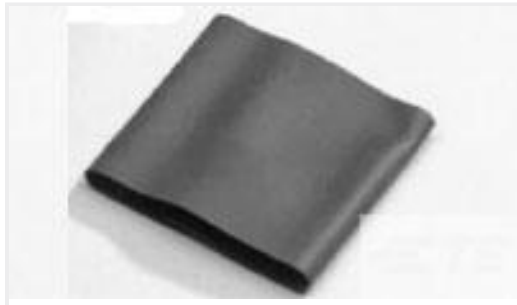


Also in the Series | Special Purpose Terminals

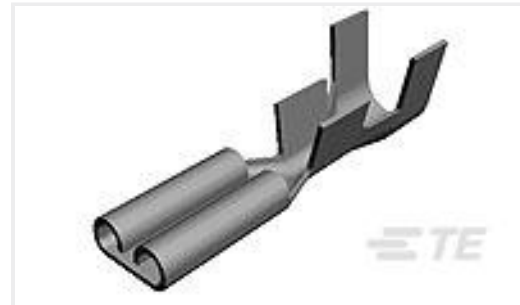


Customers Also Bought





TE Part #137963J001
V2-1.5-0-SP-SM



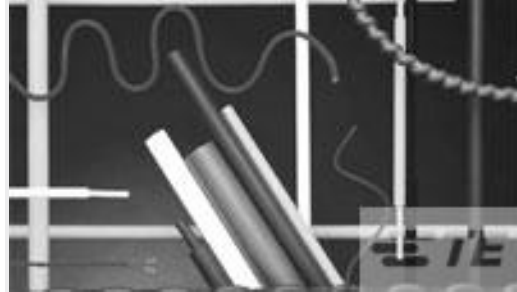
TE Part #60577-1
110 FASTON REC 22-18 AWG TPBR



TE Part #NB16934001
VERSAFIT-3/64-0-SP



TE Part #NB20164001
VERSAFIT-1/8-0-SP



TE Part #5069874011
CGPT-19/9.5-0-SP



TE Part #141352-1
110 FASTON, FLAG, REC., 22-18 AWG,
BR

Documents

Product Drawings

STATOR TERMINAL

English

CAD Files

Customer View Model

[ENG_CVM_CVM_1478484-1_D.2d_dxf.zip](#)

English

3D PDF

3D

Customer View Model

[ENG_CVM_CVM_1478484-1_D.3d_igs.zip](#)

English

Customer View Model

[ENG_CVM_CVM_1478484-1_D.3d_stp.zip](#)

English

By downloading the CAD file I accept and agree to the [Terms and Conditions](#) of use.

Product Specifications

Application Specification

English

AMPLIVAR Stator Receptacles with FASTON Mating End

English