

OJT-SS-105LM,000 ✓ ACTIVE



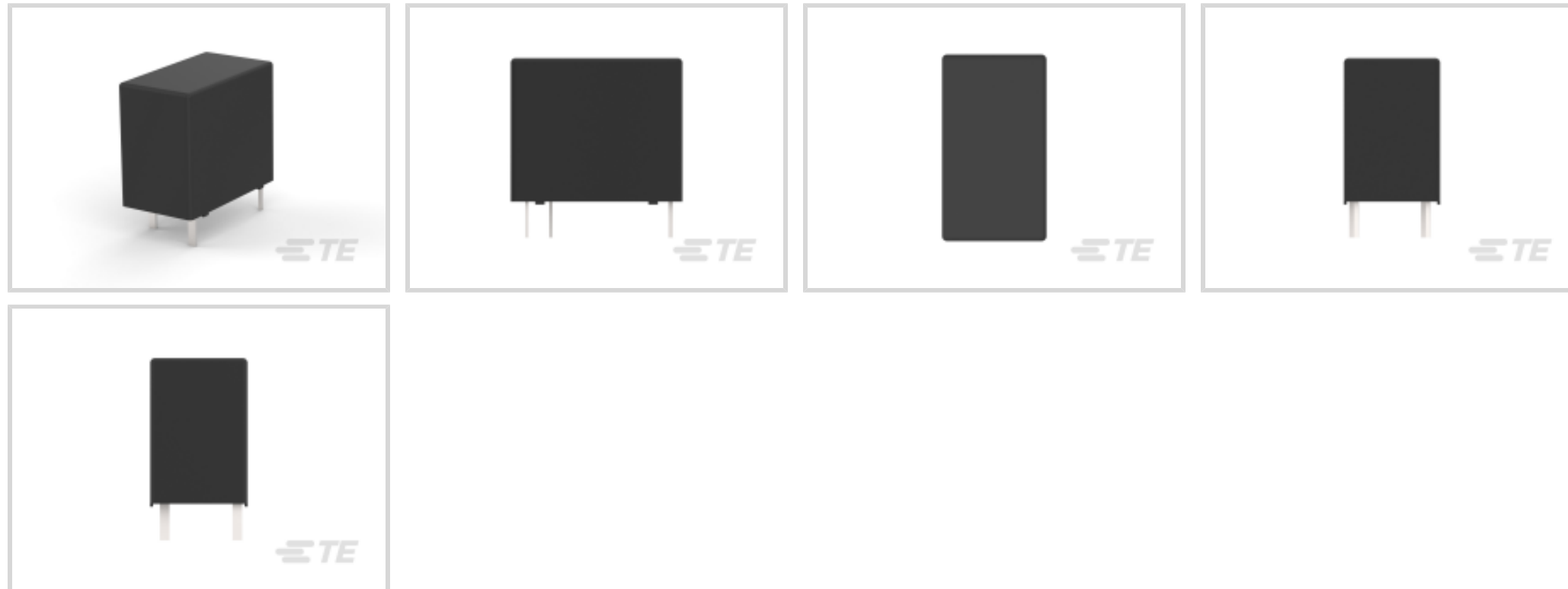
OEG | OEG Miniature PCB Relay OJT

TE Internal #: 1461492-2

General Purpose Power Relay, DC, Monostable, 1 Form A SPST-NO, 5 A Contact Rating, 5 VDC Coil Voltage, OEG Miniature PCB Relay OJT

[View on TE.com >](#)

Relays & Contactors > Electromechanical Relays > STD OEG PCB OSA Power Relays



Relay & Contactor Type: **General Purpose Power Relay**

Current Type: **DC**

Coil Magnetic System: **Monostable**

Contact Arrangement: **1 Form A SPST-NO**

Contact Current Rating: **5 A**

[All STD OEG PCB OSA Power Relays \(7\)](#)

Features

Contact Features

Contact Material	AgSnO
------------------	-------

Dimensions

Insulation Clearance Between Contact & Coil	6.4 mm[.251 in]
Insulation Creepage Between Contact & Coil	6.4 mm[.251 in]
Product Width	10.2 mm[.401 in]
Product Length	18.2 mm[.716 in]
Product Height	15.2 mm[.598 in]

Packaging Features

Packaging Method	Tray, Box & Tray
------------------	------------------

Other

Coil Power Rating Class	.2 – .3 W
Contact Current Class	16 A

Environmental Ambient Temperature Class	50 – 70 °C
Height Class (Mechanical)	14 – 15 mm
Length Class (Mechanical)	16 – 20 mm
Width Class (Mechanical)	10 – 12 mm
EU RoHS Compliance	Compliant
EU ELV Compliance	Compliant

Usage Conditions

Environmental Category of Protection	RTII
Environmental Ambient Temperature (Max)	85 °C[185 °F]

Body Features

Product Weight	6 g[.211 oz]
Enclosure Type	Flux Resistant Automatic Soldering

Electrical Characteristics

Contact Limiting Short-Time Current	5 A
Contact Limiting Making Current	5 A
Contact Limiting Continuous Current	5 A
Contact Limiting Breaking Current	5 A
Insulation Initial Dielectric Between Open Contacts	750 Vrms
Contact Switching Voltage (Max)	250 VAC
Contact Switching Load (Min)	100mA @ 5V
Coil Resistance	100 Ω
Contact Current Rating	5 A
Coil Voltage Rating	5 VDC
Contact Voltage Rating	250 VAC
Coil Power Rating DC	.25 W
Insulation Initial Dielectric Between Contacts & Coil	4000 Vrms

Configuration Features

Contact Number of Poles	1
Coil Special Features	UL Coil Insulation Class F
Contact Arrangement	1 Form A SPST-NO

Product Type Features

Relay & Contactor Type	General Purpose Power Relay
------------------------	-----------------------------



Operation/Application

Current Type	DC
Coil Magnetic System	Monostable

Termination Features

Main Termination & Connection Type	Solder Pins
Coil Termination & Connection Type	Solder Pins

Mechanical Attachment

Product Mount Type	Board Mount
--------------------	-------------

Product Compliance

[For compliance documentation, visit the product page on TE.com>](#)

EU RoHS Directive 2011/65/EU	Compliant
EU ELV Directive 2000/53/EC	Compliant
China RoHS 2 Directive MIIT Order No 32, 2016	No Restricted Materials Above Threshold
EU REACH Regulation (EC) No. 1907/2006	Current ECHA Candidate List: JUNE 2024 (241) Candidate List Declared Against: JUNE 2024 (241) Does not contain REACH SVHC
Halogen Content	Not Low Halogen - contains Br or Cl > 900 ppm.
Solder Process Capability	Wave solder capable to 265°C

Product Compliance Disclaimer

This information is provided based on reasonable inquiry of our suppliers and represents our current actual knowledge based on the information they provided. This information is subject to change. The part numbers that TE has identified as EU RoHS compliant have a maximum concentration of 0.1% by weight in homogenous materials for lead, hexavalent chromium, mercury, PBB, PBDE, DBP, BBP, DEHP, DIBP, and 0.01% for cadmium, or qualify for an exemption to these limits as defined in the Annexes of Directive 2011/65/EU (RoHS2). Finished electrical and electronic equipment products will be CE marked as required by Directive 2011/65/EU. Components may not be CE marked. Additionally, the part numbers that TE has identified as EU ELV compliant have a maximum concentration of 0.1% by weight in homogenous materials for lead, hexavalent chromium, and mercury, and 0.01% for cadmium, or qualify for an exemption to these limits as defined in the Annexes of Directive 2000/53/EC (ELV). Regarding the REACH Regulation, the information TE provides on SVHC in articles for this part number is based on the latest European Chemicals Agency (ECHA) 'Guidance on requirements for substances in articles' posted at this URL: <https://echa.europa.eu/guidance-documents/guidance-on-reach>

Compatible Parts

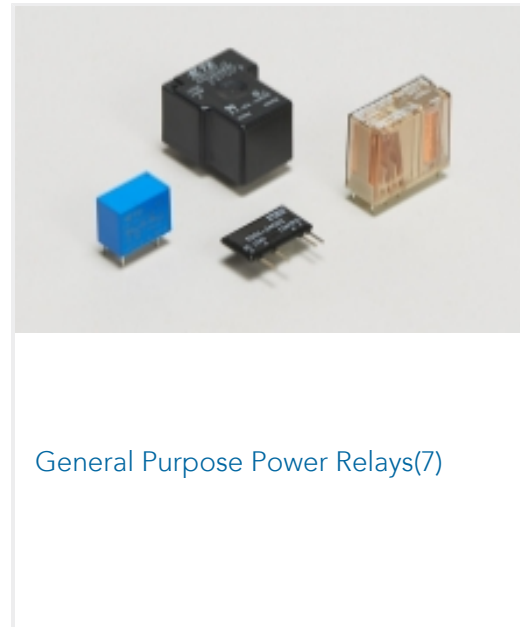


TE Part # CAT-OE4-OJ7
STD OEG PCB OSA Power Relays

Also in the Series | OEG Miniature PCB Relay OJT



DC Relays(7)



General Purpose Power Relays(7)

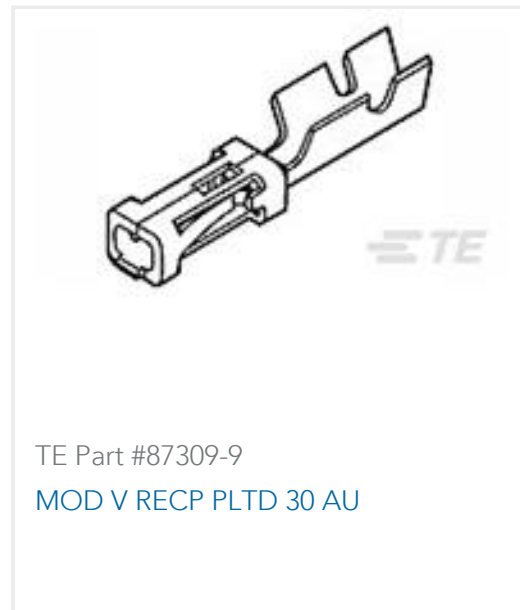


PCB Relays(7)

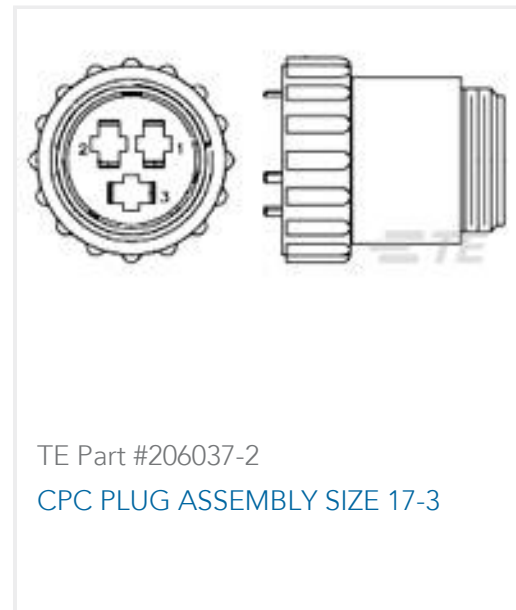
Customers Also Bought



TE Part #5-146277-3
03 MODII HDR SRST B/A .100CL



TE Part #87309-9
MOD V RECP PLTD 30 AU



TE Part #206037-2
CPC PLUG ASSEMBLY SIZE 17-3



TE Part #2176570-3
RLC73K 2A R75 1% 5K RL



TE Part #2-530153-2
TDM SPRING, SHUNT ASY 2 POS



TE Part #41580
RING TERMINAL 24-20 AWG TPBR



TE Part #42822-4
250 FASTON TAB TPBR



TE Part #1393845-5
RP821024



TE Part #1735447-3
HPI 2.0 RECEPTACLE HOUSING, 3P



TE Part #3-1437290-7
26POS,SUPERSEAL,REC HSG ASSY,
SLD,COD 1



Documents

Product Drawings

[OJT-SS-105LM,000](#)

English

CAD Files

[3D PDF](#)

3D

Customer View Model

[ENG_CVM_CVM_1461492-2_D4.2d_dxf.zip](#)

English

Customer View Model

[ENG_CVM_CVM_1461492-2_D4.3d_igs.zip](#)

English

Customer View Model

[ENG_CVM_CVM_1461492-2_D4.3d_stp.zip](#)

English

By downloading the CAD file I accept and agree to the [Terms and Conditions](#) of use.

Datasheets & Catalog Pages

[OJT Series Relay Datasheet](#)

English

Product Specifications

[Definitions General Purpose Relays](#)

English

Agency Approvals

[VDE Certificate](#)

English