



OEG

TE Internal #: 1461250-2

TE Internal Description: OZ-SH-124L,294

STD SCHRACK RZF Power Relays

[View on TE.com >](#)



All STD SCHRACK RZF Power Relays (0)

Product Compliance

[For compliance documentation, visit the product page on TE.com>](#)

EU RoHS Directive 2011/65/EU	Compliant
EU ELV Directive 2000/53/EC	Compliant
China RoHS 2 Directive MIIT Order No 32, 2016	No Restricted Materials Above Threshold
EU REACH Regulation (EC) No. 1907/2006	Current ECHA Candidate List: JUNE 2024 (241) Candidate List Declared Against: JAN 2022 (223) Does not contain REACH SVHC
Halogen Content	Not Low Halogen - contains Br or Cl > 900 ppm.
Solder Process Capability	Wave solder capable to 265°C

Product Compliance Disclaimer

This information is provided based on reasonable inquiry of our suppliers and represents our current actual knowledge based on the information they provided. This information is subject to change. The part numbers that TE has identified as EU RoHS compliant have a maximum concentration of 0.1% by weight in homogenous materials for lead, hexavalent chromium, mercury, PBB, PBDE, DBP, BBP, DEHP, DIBP, and 0.01% for cadmium, or qualify for an exemption to these limits as defined in the Annexes of Directive 2011/65/EU (RoHS2). Finished electrical and electronic equipment products will be CE marked as required by Directive 2011/65/EU. Components may not be CE marked. Additionally, the part numbers that TE has identified as EU ELV compliant have a maximum concentration of 0.1% by weight in homogenous materials for lead, hexavalent chromium, and mercury, and 0.01% for cadmium, or qualify for an exemption to these limits as defined in the Annexes of Directive 2000/53/EC (ELV). Regarding the REACH Regulation, the information TE provides on SVHC in articles for this part number is based on the latest European Chemicals Agency (ECHA) 'Guidance on requirements for substances in articles' posted at this URL: <https://echa.europa.eu/guidance-documents/guidance-on-reach>

Compatible Parts



TE Part # CAT-OE4-OZ8
STD SCHRACK RZF Power Relays



TE Part # 1649399-6
OZ-SS-124L1,200



TE Part # 1649399-3
OZ-SS-109L1,200

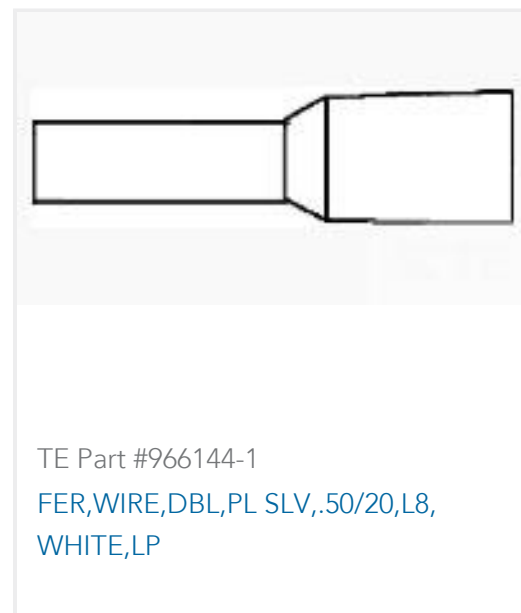
Customers Also Bought



TE Part #4-1614892-2
CPF 0805 2K32 0.1% 25PPM 1K RL



TE Part #796694-7
7 POS TERMI-BLOK HDR DIR. POL.



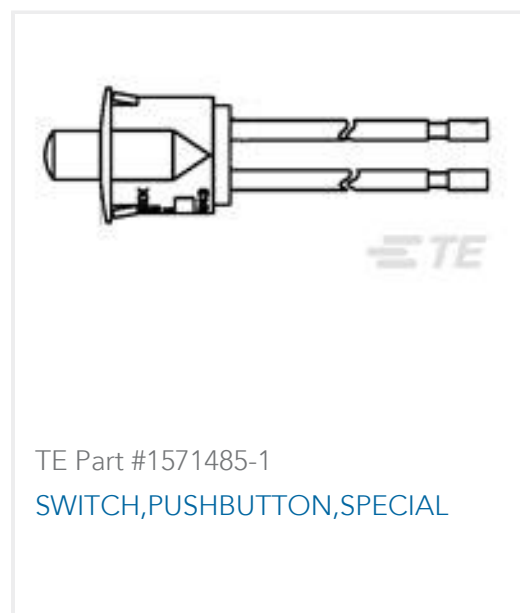
TE Part #966144-1
FER,WIRE,DBL,PL SLV, .50/20,L8,
WHITE,LP



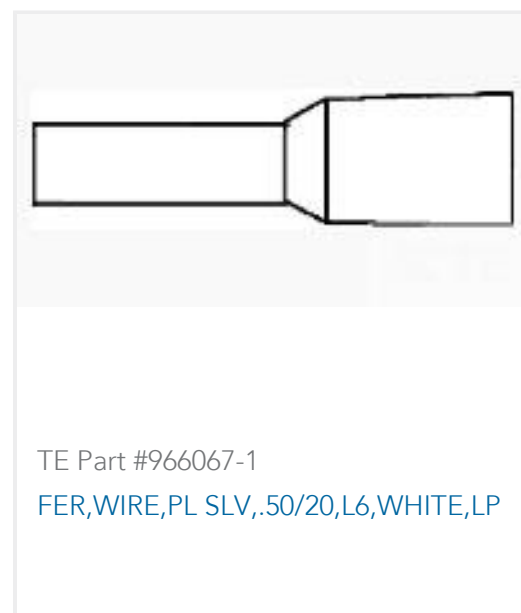
TE Part #4-1415053-1
SR4M4024



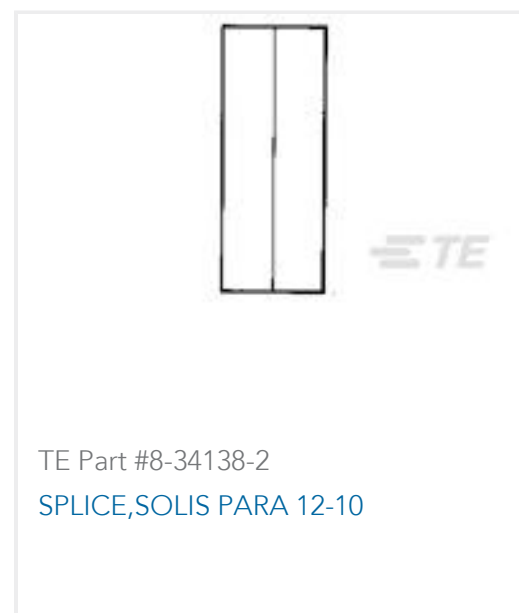
TE Part #5050865-8
SOCKET,MIN-SPR SN SER-4



TE Part #1571485-1
SWITCH,PUSHBUTTON,SPECIAL



TE Part #966067-1
FER,WIRE,PL SLV, .50/20,L6,WHITE,LP



TE Part #8-34138-2
SPLICE,SOLIS PARA 12-10



TE Part #6-1879501-0
CRGH2512 5% 300R 2W



TE Part #341412-2
PL 250 REC TERMINAL AWG PTPB LP

Documents

Product Drawings

[OZ-SH-124L,294](#)

English

CAD Files

[3D PDF](#)

[3D](#)



Customer View Model

[ENG_CVM_CVM_1461250-2_K.2d_dxf.zip](#)

English

Customer View Model

[ENG_CVM_CVM_1461250-2_K.3d_igs.zip](#)

English

Customer View Model

[ENG_CVM_CVM_1461250-2_K.3d_stp.zip](#)

English

By downloading the CAD file I accept and agree to the [Terms and Conditions](#) of use.

Datasheets & Catalog Pages

[OZ_OZT Series Relay Data Sheet - English](#)

English

Product Specifications

[Definitions General Purpose Relays](#)

English