

1438896-4 ✓ ACTIVE

AMP | FAKRA RF Connector System

TE Internal #: 1438896-4

Socket Terminal, Gold (Au), .51 mm [.02 in] Pin Diameter,
Terminates To Wire, -40 – 100 °C [-40 – 212 °F], FAKRA RF
Connector System

[View on TE.com >](#)



Terminals & Splices > Automotive Terminals



Terminal Type: **Socket**

Interface Plating: **Gold (Au)**

Mating Pin Diameter: **.51 mm [.02 in]**

Terminal Transmits: **0 – 24 A (Low Power)**

Sealable: **No**

Features

Configuration Features

Compatible With Wire & Cable Type	Coax Cable
-----------------------------------	------------

Packaging Features

Packaging Method	Reel
Packaging Quantity	15000

Usage Conditions

Insulation Option	Uninsulated
Operating Temperature (Max)	80 °C, 90 °C, 100 °C, 85 °C[212 °F]
Operating Temperature Range	-40 – 100 °C[-40 – 212 °F]

Termination Features

Termination Method to Wire & Cable	Crimp
Product Terminates To	Wire

Contact Features

Crimp Type	F-Crimp
Contact Size	.54mm
Contact Fabrication	Stamped & Formed
Terminal Type	Socket
Interface Plating	Gold (Au)
Mating Pin Diameter	.51 mm[.02 in]



Product Type Features

Sealable	No
Primary Locking Feature	On the Terminal

Other

Terminal Transmits	0 – 24 A (Low Power)
EU RoHS Compliance	Compliant
EU ELV Compliance	Compliant

Product Compliance

[For compliance documentation, visit the product page on TE.com>](#)

EU RoHS Directive 2011/65/EU	Compliant
EU ELV Directive 2000/53/EC	Compliant
China RoHS 2 Directive MIIT Order No 32, 2016	No Restricted Materials Above Threshold
EU REACH Regulation (EC) No. 1907/2006	Current ECHA Candidate List: JUNE 2024 (241) Candidate List Declared Against: JUNE 2024 (241) Does not contain REACH SVHC
Halogen Content	Low Halogen - Br, Cl, F, I < 900 ppm per homogenous material. Also BFR/CFR/PVC Free
Solder Process Capability	Not applicable for solder process capability

Product Compliance Disclaimer

This information is provided based on reasonable inquiry of our suppliers and represents our current actual knowledge based on the information they provided. This information is subject to change. The part numbers that TE has identified as EU RoHS compliant have a maximum concentration of 0.1% by weight in homogenous materials for lead, hexavalent chromium, mercury, PBB, PBDE, DBP, BBP, DEHP, DIBP, and 0.01% for cadmium, or qualify for an exemption to these limits as defined in the Annexes of Directive 2011/65/EU (RoHS2). Finished electrical and electronic equipment products will be CE marked as required by Directive 2011/65/EU. Components may not be CE marked. Additionally, the part numbers that TE has identified as EU ELV compliant have a maximum concentration of 0.1% by weight in homogenous materials for lead, hexavalent chromium, and mercury, and 0.01% for cadmium, or qualify for an exemption to these limits as defined in the Annexes of Directive 2000/53/EC (ELV). Regarding the REACH Regulation, the information TE provides on SVHC in articles for this part number is based on the latest European Chemicals Agency (ECHA) 'Guidance on requirements for substances in articles' posted at this URL: <https://echa.europa.eu/guidance-documents/guidance-on-reach>

Compatible Parts




TE Part # 2151839-1
OCEAN-2.0-APPLICATOR-S-047F-SSM



TE Part # 2266955-1
OCEAN_2.0-APPLICATOR-S-046F-RSM



TE Part # 5-1438911-7
JACK KIT, UNASSEM, 1 POS, KEY F, CLP SLT



TE Part # 5-1924792-1
PLUG KIT, UNASSEM, 1 POS, RG-174



TE Part # 5-1924792-6
PLUG KIT, UNASSEM, 1 POS, RG-316 OR RG-1



KIT
REPRESENTATION ONLY
TE Part # 7-2151839-7
OCEAN_2.0_SPARE_PART_KIT-047F



TE Part # 1-2035141-0
PLUG KIT, 90 Deg, RG-316 or -174, Fakra



TE Part # 2305570-1
Strip Terminal Cutter-Side Feed-No Crimp



TE Part # 1924792-4
PLUG KIT, UNASSEM, 1 POS, RG-316 OR RG-1



TE Part # 1924792-3
PLUG KIT, UNASSEM, 1 POS, RG-316 OR RG-1



TE Part # 2151839-2
OCEAN-2.0-APPLICATOR-S-047FA-SSA



TE Part # 2266776-2
OCEAN_2.0-APPLICATOR-S-042F-SSA



TE Part # 2035141-3
PLUG KIT, 90 Deg, RG-316 or -174, Fakra



TE Part # 2266955-2
OCEAN_2.0-APPLICATOR-S-046F-RSA



TE Part # 2266775-1
OCEAN_2.0-APPLICATOR-S-046F-RSM



TE Part # 1924792-9
PLUG KIT, UNASSEM, 1 POS, RG174 KEY I



TE Part # 1924792-1
PLUG KIT, UNASSEM, 1 POS, RG-174



TE Part # 2266776-1
OCEAN_2.0-APPLICATOR-S-042F-SSM

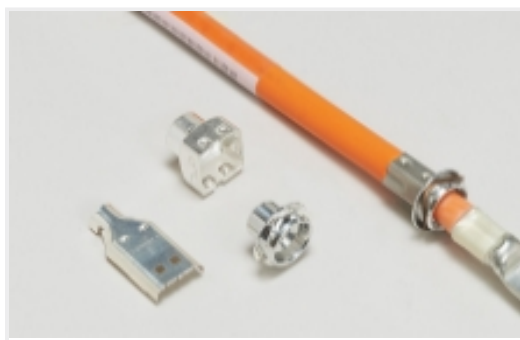


TE Part # 2266775-2
OCEAN_2.0-APPLICATOR-S-046F-RSA

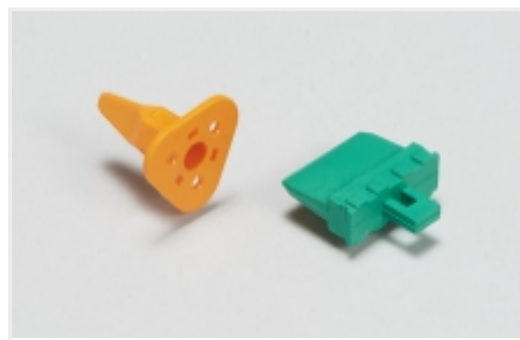


TE Part # 1924792-6
PLUG KIT, UNASSEM, 1 POS, RG-316 OR RG-1

Also in the Series | **FAKRA RF Connector System**



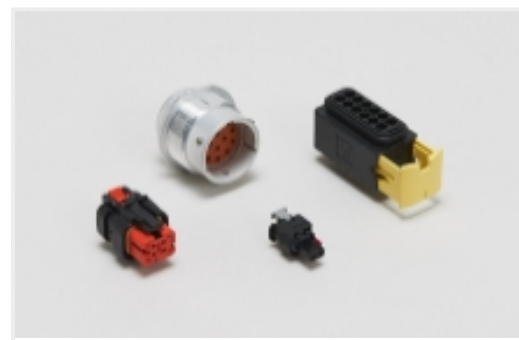
Automotive Connector EMC Shielding (3)



Automotive Connector Locks & Position Assurance(8)



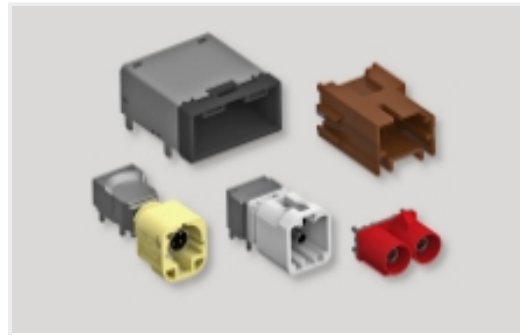
Automotive Headers(1)



Automotive Housings(2)



Coax Connectors(1)



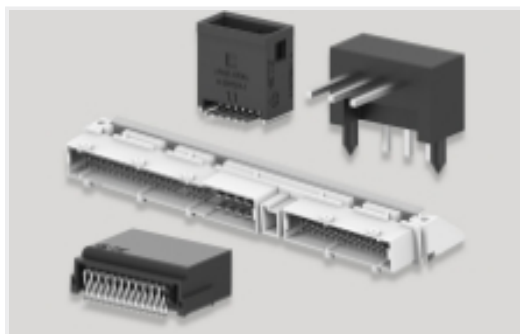
Data Connectivity Headers(361)



Infotainment & Multimedia Cable Assemblies(1)



Other Automotive Connector Accessories(26)



PCB Headers & Receptacles(1)

Customers Also Bought



TE Part #DT04-2P
REC, 2P, GRY, N



TE Part #DT06-2S
PLG, 2P, GRY, N



TE Part #CAT-D487-W416
Wedgelocks: DEUTSCH DT



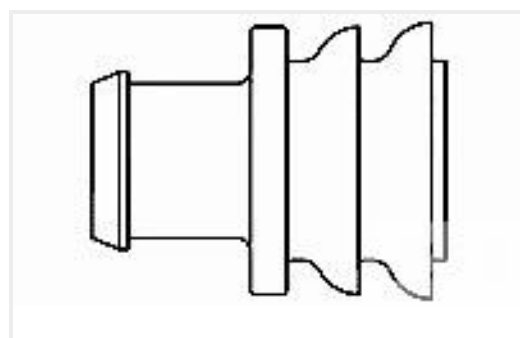
TE Part #CAT-D48-ST273
DEUTSCH Solid Contacts



TE Part #114017-ZZ
SEALING PLUG, SIZE 12/16, WHT



TE Part #CAT-AM71-CH8172
AMP SUPERSEAL 1.5MM,
CONNECTOR HOUSING



TE Part #281934-2
SINGLE WIRE SEAL

Documents



Product Drawings

SOCKET CONTACT, PLUG, 180 DEGREE, SMB

English

CAD Files

Customer View Model

[ENG_CVM_CVM_1438896-4_E.2d_dxf.zip](#)

English

3D PDF

3D

Customer View Model

[ENG_CVM_CVM_1438896-4_E.3d_igs.zip](#)

English

Customer View Model

[ENG_CVM_CVM_1438896-4_E.3d_stp.zip](#)

English

By downloading the CAD file I accept and agree to the [Terms and Conditions](#) of use.

Product Specifications

Application Specification

English