



Switches > Switch Knobs



Primary Product Material: **Phenolic**

Knob Design: **Straight Knurl**

Shaft Size: **6.35 mm [.25 in]**

Product Diameter: **25.3 mm [.996 in]**

Primary Product Color: **Black**

Features

Configuration Features

Spinner	Without
Skirt	Without
Spin Plate	Without
Knob Design	Straight Knurl

Body Features

Primary Product Material	Phenolic
Primary Product Color	Black

Dimensions

Shaft Size	6.35 mm [.25 in]
Product Diameter	25.3 mm [.996 in]

Other

EU RoHS Compliance	Compliant
EU ELV Compliance	Compliant

Product Compliance

[For compliance documentation, visit the product page on TE.com>](#)

EU RoHS Directive 2011/65/EU	Compliant
EU ELV Directive 2000/53/EC	Compliant
China RoHS 2 Directive MIIT Order No 32, 2016	No Restricted Materials Above Threshold



EU REACH Regulation (EC) No. 1907/2006

Current ECHA Candidate List: JUNE 2024 (241)

Candidate List Declared Against: JUNE 2024 (241)

Does not contain REACH SVHC

Halogen Content

Low Halogen - Br, Cl, F, I < 900 ppm per homogenous material. Also BFR/CFR/PVC Free

Solder Process Capability

Not applicable for solder process capability

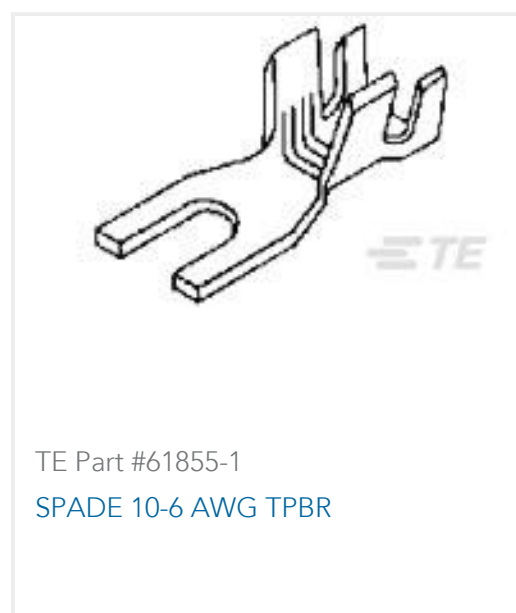
Product Compliance Disclaimer

This information is provided based on reasonable inquiry of our suppliers and represents our current actual knowledge based on the information they provided. This information is subject to change. The part numbers that TE has identified as EU RoHS compliant have a maximum concentration of 0.1% by weight in homogenous materials for lead, hexavalent chromium, mercury, PBB, PBDE, DBP, BBP, DEHP, DIBP, and 0.01% for cadmium, or qualify for an exemption to these limits as defined in the Annexes of Directive 2011/65/EU (RoHS2). Finished electrical and electronic equipment products will be CE marked as required by Directive 2011/65/EU. Components may not be CE marked. Additionally, the part numbers that TE has identified as EU ELV compliant have a maximum concentration of 0.1% by weight in homogenous materials for lead, hexavalent chromium, and mercury, and 0.01% for cadmium, or qualify for an exemption to these limits as defined in the Annexes of Directive 2000/53/EC (ELV). Regarding the REACH Regulation, the information TE provides on SVHC in articles for this part number is based on the latest European Chemicals Agency (ECHA) 'Guidance on requirements for substances in articles' posted at this URL: <https://echa.europa.eu/guidance-documents/guidance-on-reach>

Compatible Parts

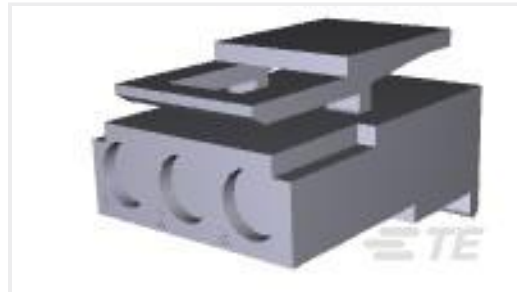


Customers Also Bought





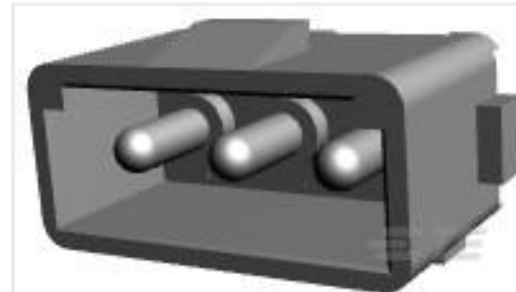
TE Part #1-794065-1
08P MINI UMNL HDR W/DH AU LF



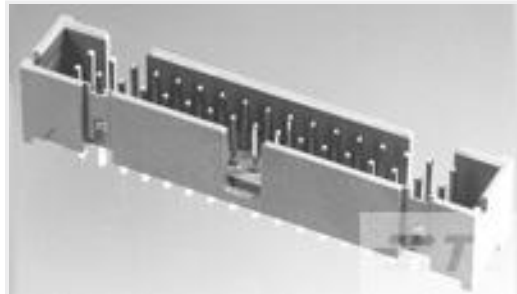
TE Part #1-480721-0
03P CMNL PLUG HSG W/LOK NATL



TE Part #1-1437559-1
MTG106D=(MSTG) SW TOG MUSTANG



TE Part #350541-1
03P CMNL HDR ASSY SHORT NATL



TE Part #5104338-3
A/L LOW PRO HDR 16P VERT HT



TE Part #794192-1
08P MINI UMNL2 PLUG HSG UL94V0

Documents

Product Drawings

[PH15181/4=KNOB PLASTIC CONTROL](#)

English

CAD Files

Customer View Model

[ENG_CVM_CVM_1437624-2_A.3d_igs.zip](#)

English

Customer View Model

[ENG_CVM_CVM_1437624-2_A.3d_stp.zip](#)

English

Customer View Model

[ENG_CVM_CVM_1437624-2_A.2d_dxf.zip](#)

English

3D PDF

3D

By downloading the CAD file I accept and agree to the [Terms and Conditions](#) of use.