

K1250B1/4 ✓ ACTIVE

Alcoswitch

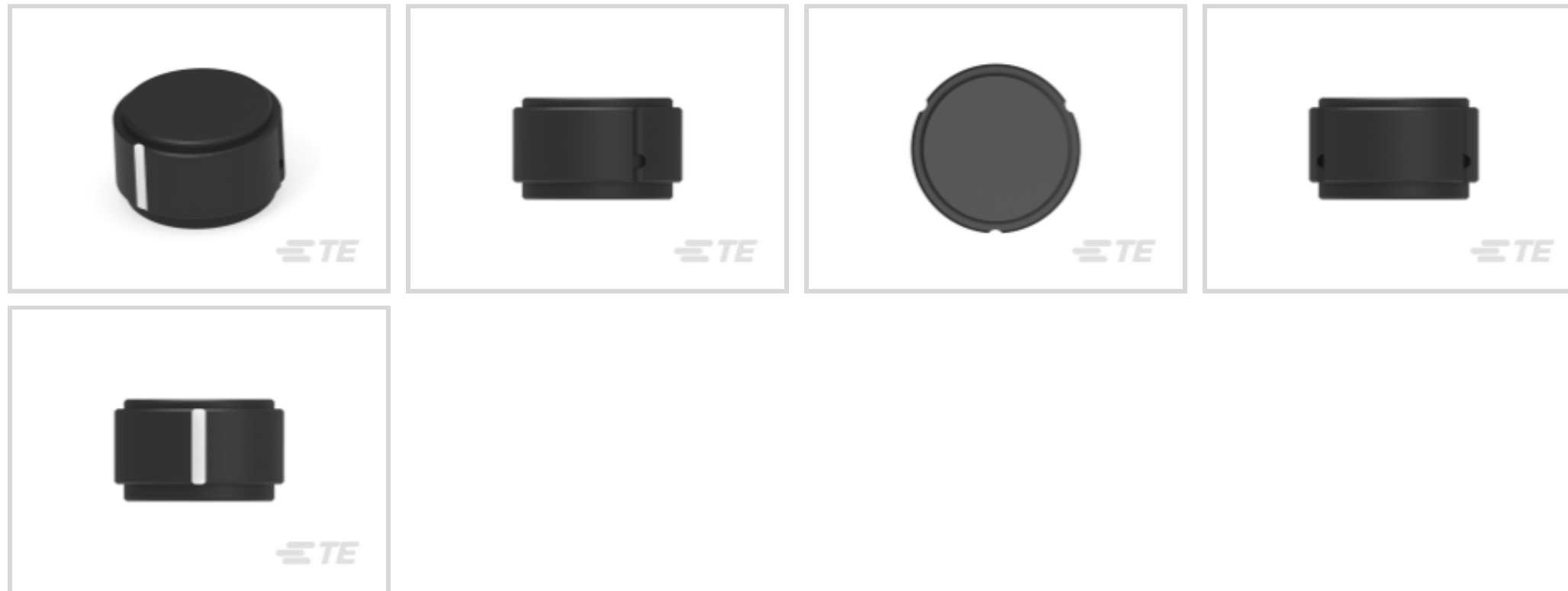
TE Internal #: 1437621-3

Aluminum 5056-H18, 3 Flute Knob Design, 6.35 mm [.25 in] Shaft,
31.75 mm [1.25 in] Diameter, Black, Line Indicator, Switch Knobs

[View on TE.com >](#)



Switches > Switch Knobs



Primary Product Material: **Aluminum 5056-H18**

Knob Design: **3 Flute**

Shaft Size: **6.35 mm [.25 in]**

Product Diameter: **31.75 mm [1.25 in]**

Primary Product Color: **Black**

Features

Configuration Features

Spinner	Without
Skirt	Without
Spin Plate	Without
Knob Design	3 Flute

Body Features

Primary Product Material	Aluminum 5056-H18
Primary Product Color	Black

Dimensions

Shaft Size	6.35 mm[.25 in]
Product Diameter	31.75 mm[1.25 in]

Identification Marking

Indicator Style	Line
Indicator Location	Side



Product Compliance

[For compliance documentation, visit the product page on TE.com>](#)

EU RoHS Directive 2011/65/EU	Not Compliant
EU ELV Directive 2000/53/EC	Not Compliant
China RoHS 2 Directive MIIT Order No 32, 2016	Restricted Materials Above Threshold
EU REACH Regulation (EC) No. 1907/2006	<p>Current ECHA Candidate List: JUNE 2024 (241)</p> <p>Candidate List Declared Against: JUNE 2024 (241)</p> <p>SVHC > Threshold:</p> <p>Pb (.6% in Component Part)</p> <p>Article Safe Usage Statements: Do not eat, drink or smoke when using this product. Wash thoroughly after handling. Recycle if possible and dispose of the article by following all applicable governmental regulations relevant to your geographic location.</p>
Halogen Content	Low Halogen - Br, Cl, F, I < 900 ppm per homogenous material. Also BFR/CFR/PVC Free
Solder Process Capability	Not applicable for solder process capability

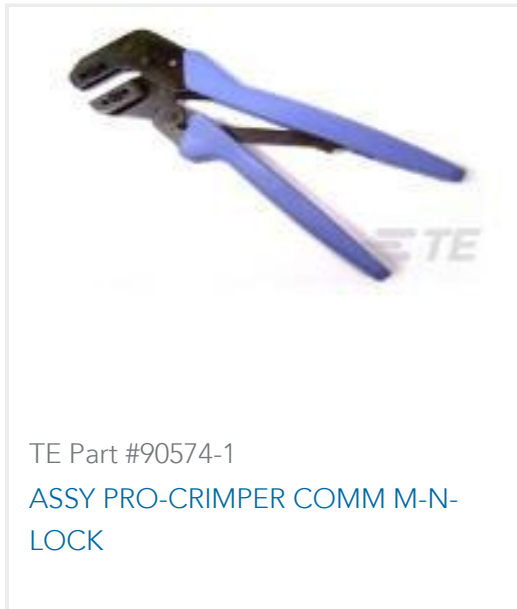
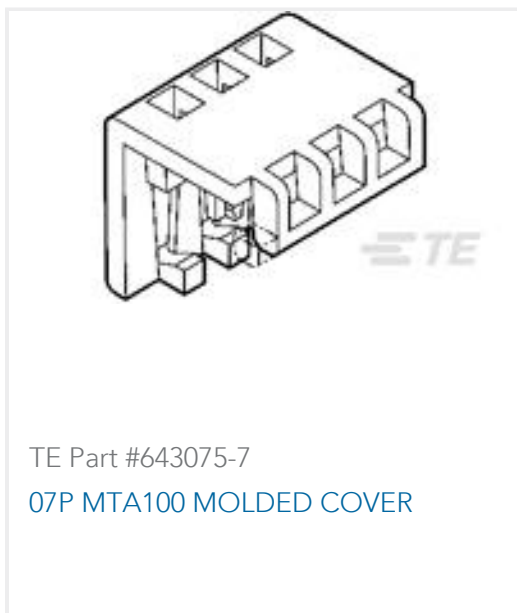
Product Compliance Disclaimer

This information is provided based on reasonable inquiry of our suppliers and represents our current actual knowledge based on the information they provided. This information is subject to change. The part numbers that TE has identified as EU RoHS compliant have a maximum concentration of 0.1% by weight in homogenous materials for lead, hexavalent chromium, mercury, PBB, PBDE, DBP, BBP, DEHP, DIBP, and 0.01% for cadmium, or qualify for an exemption to these limits as defined in the Annexes of Directive 2011/65/EU (RoHS2). Finished electrical and electronic equipment products will be CE marked as required by Directive 2011/65/EU. Components may not be CE marked. Additionally, the part numbers that TE has identified as EU ELV compliant have a maximum concentration of 0.1% by weight in homogenous materials for lead, hexavalent chromium, and mercury, and 0.01% for cadmium, or qualify for an exemption to these limits as defined in the Annexes of Directive 2000/53/EC (ELV). Regarding the REACH Regulation, the information TE provides on SVHC in articles for this part number is based on the latest European Chemicals Agency (ECHA) 'Guidance on requirements for substances in articles' posted at this URL: <https://echa.europa.eu/guidance-documents/guidance-on-reach>

Compatible Parts



Customers Also Bought



Documents

CAD Files

3D PDF

3D

Customer View Model

[ENG_CVM_CVM_1437621-3_99_c-1437621-3-99.2d_dxf.zip](#)

English

Customer View Model

[ENG_CVM_CVM_1437621-3_99_c-1437621-3-99.3d_igs.zip](#)

English

Customer View Model

[ENG_CVM_CVM_1437621-3_99_c-1437621-3-99.3d_stp.zip](#)

English

By downloading the CAD file I accept and agree to the [Terms and Conditions](#) of use.

Datasheets & Catalog Pages

[Alcoswitch Products](#)

English