



Connectors > Connector Accessories > Connector Hardware



Hardware Accessory Function: **Latching, Locking & Retention**

Connector Hardware Accessory Type: **Jackscrew**

Primary Product Material: **Stainless Steel**

Features

Product Type Features

| | |
|-----------------------------------|-------------------------------|
| Hardware Accessory Function | Latching, Locking & Retention |
| Connector Hardware Accessory Type | Jackscrew |

Body Features

| | |
|--------------------------|-----------------|
| Primary Product Material | Stainless Steel |
|--------------------------|-----------------|

Mechanical Attachment

| | |
|------------------------|----------------------|
| Hardware Type Included | Nuts and Lockwashers |
|------------------------|----------------------|

Packaging Features

| | |
|--------------------|---------|
| Packaging Method | Package |
| Packaging Quantity | 50 |

Product Compliance

[For compliance documentation, visit the product page on TE.com>](#)

| | |
|---|---|
| EU RoHS Directive 2011/65/EU | Compliant |
| EU ELV Directive 2000/53/EC | Out of Scope |
| China RoHS 2 Directive MIIT Order No 32, 2016 | 有害物质含量符合标准要求 No Restricted Substance(s) Above Threshold |
| EU REACH Regulation (EC) No. 1907/2006 | |

Current ECHA Candidate List: JUNE 2025

(250)

Candidate List Declared Against: JAN 2025

(247)

Does not contain REACH SVHC

Halogen Content

Low Halogen - Br, Cl, F < 900 ppm per homogenous material. Also BFR/CFR/PVC Free

Solder Process Capability

Not applicable for solder process capability

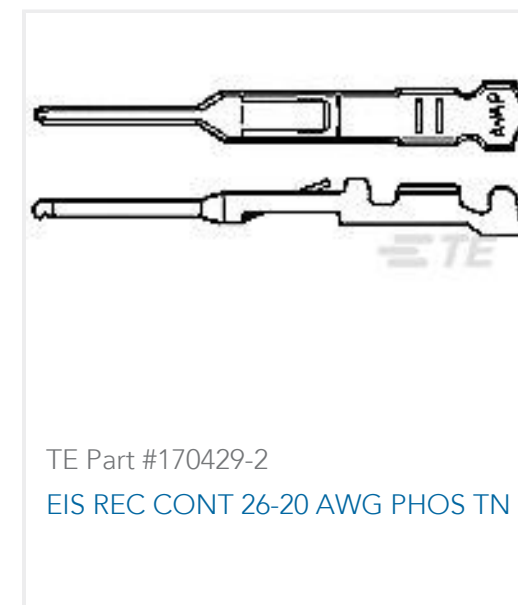
Product Compliance Disclaimer

This information is provided based on reasonable inquiry of our suppliers and represents our current actual knowledge based on the information they provided. This information is subject to change. The part numbers that TE has identified as EU RoHS compliant have a maximum concentration of 0.1% by weight in homogenous materials for lead, hexavalent chromium, mercury, PBB, PBDE, DBP, BBP, DEHP, DIBP, and 0.01% for cadmium, or qualify for an exemption to these limits as defined in the Annexes of Directive 2011/65/EU (RoHS2). Finished electrical and electronic equipment products will be CE marked as required by Directive 2011/65/EU. Components may not be CE marked. Additionally, the part numbers that TE has identified as EU ELV compliant have a maximum concentration of 0.1% by weight in homogenous materials for lead, hexavalent chromium, and mercury, and 0.01% for cadmium, or qualify for an exemption to these limits as defined in the Annexes of Directive 2000/53/EC (ELV). Regarding the REACH Regulation, the information TE provides on SVHC in articles for this part number is based on the latest European Chemicals Agency (ECHA) 'Guidance on requirements for substances in articles' posted at this URL: <https://echa.europa.eu/guidance-documents/guidance-on-reach>

Compatible Parts



Customers Also Bought





TE Part #171826-4
POST HEADER ASSY HORIZONTAL EI



TE Part #280384-2
2X4P AMPMODU II SHRD HDR,ST,0.38
AU



TE Part #1-1625958-8
HB01RE 20M 1% 100PPM



TE Part #1658683-1
HDP-22,RCPT,SIZE 3,44 POSN



TE Part #1757820-9
AMPLIMITE,ASY,RCPT,STD,109,ZN,4,
CT



TE Part #6368150-3
MJ,TE,8P,CAT5,SHIELDED

Documents

Product Drawings

[609-002=HDW IDC JACKSCREW ASSY](#)

English

CAD Files

[3D PDF](#)

3D

Customer View Model

[ENG_CVM_CVM_1437012-5_H.2d_dxf.zip](#)

English

Customer View Model

[ENG_CVM_CVM_1437012-5_H.3d_igs.zip](#)

English

Customer View Model

[ENG_CVM_CVM_1437012-5_H.3d_stp.zip](#)

English

By downloading the CAD file I accept and agree to the [Terms and Conditions](#) of use.

Instruction Sheets

[Instruction Sheet \(U.S.\)](#)

English