



Relays & Contactors > Electromechanical Relays



Relay & Contactor Type: **General Purpose Signal Relay**

Current Type: **AC**

Coil Magnetic System: **Monostable**

Contact Arrangement: **4 Form C 4PDT-CO**

Contact Current Rating: **10 A**

Features

Dimensions

Product Width	45 mm[1.77 in]
Product Length	45 mm[1.77 in]
Product Height	109 mm[4.29 in]

Packaging Features

Packaging Method	Box & Carton
------------------	--------------

Usage Conditions

Operating Temperature Range	0 – 60 °C
Environmental Ambient Temperature (Max)	60 °C[140 °F]

Electrical Characteristics

Input Voltage	120 VAC
Coil Power Rating AC	6 VA
Contact Switching Voltage (Max)	120 VAC
Contact Current Rating	10 A
Coil Voltage Rating	120 VAC
Contact Voltage Rating	120 VAC

Configuration Features

Contact Number of Poles	4
-------------------------	---



Contact Arrangement 4 Form C 4PDT-CO

Operation/Application

Indicator Type	LED
Current Type	AC
Coil Magnetic System	Monostable

Product Type Features

Relay & Contactor Type	General Purpose Signal Relay
------------------------	------------------------------

Mechanical Attachment

Product Mount Type	Socket Mount
--------------------	--------------

Other

EU RoHS Compliance	Not Compliant
EU ELV Compliance	Not Compliant

Product Compliance

[For compliance documentation, visit the product page on TE.com>](#)

EU RoHS Directive 2011/65/EU	Not Compliant
EU ELV Directive 2000/53/EC	Not Compliant
China RoHS 2 Directive MIIT Order No 32, 2016	Restricted Materials Above Threshold
EU REACH Regulation (EC) No. 1907/2006	Current ECHA Candidate List: JUNE 2024 (241) Candidate List Declared Against: JAN 2024 (240) Does not contain REACH SVHC
Halogen Content	Not Yet Reviewed for halogen content
Solder Process Capability	Not applicable for solder process capability

Product Compliance Disclaimer

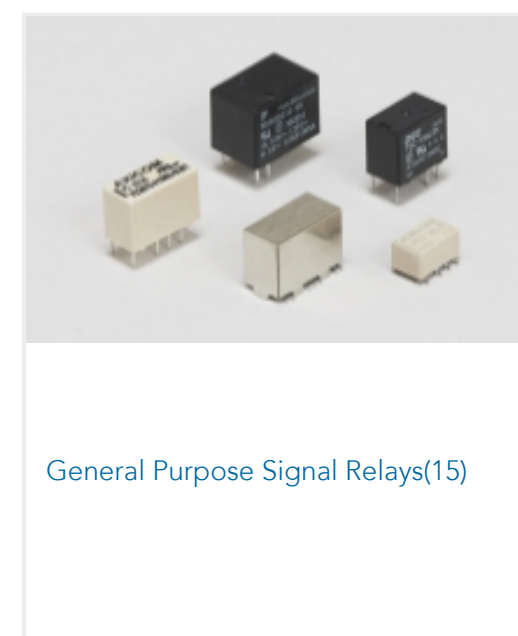
This information is provided based on reasonable inquiry of our suppliers and represents our current actual knowledge based on the information they provided. This information is subject to change. The part numbers that TE has identified as EU RoHS compliant have a maximum concentration of 0.1% by weight in homogenous materials for lead, hexavalent chromium, mercury, PBB, PBDE, DBP, BBP, DEHP, DIBP, and 0.01% for cadmium, or qualify for an exemption to these limits as defined in the Annexes of Directive 2011/65/EU (RoHS2). Finished electrical and electronic equipment products will be CE marked as required by Directive 2011/65/EU. Components may not be CE marked. Additionally, the part numbers that TE has identified as EU ELV compliant have a maximum concentration of 0.1% by weight in homogenous materials for lead, hexavalent chromium, and mercury, and 0.01% for cadmium, or qualify for an exemption to these limits as defined in the Annexes of Directive 2000/53/EC (ELV). Regarding the REACH Regulations, TE's information on SVHC in articles for this part number is still based on the European Chemical Agency (ECHA) 'Guidance on requirements for substances in articles' (Version: 2, April 2011), applying the 0.1% weight on weight concentration threshold at the finished product level. TE is aware of the European Court of Justice ruling of September 10th, 2015 also known as O5A (Once An Article Always An Article) stating that, in case of 'complex object', the threshold for a SVHC must be applied to both the

product as a whole and simultaneously to each of the articles forming part of its composition. TE has evaluated this ruling based on the new ECHA "Guidance on requirements for substances in articles" (June 2017, version 4.0) and will be updating its statements accordingly.

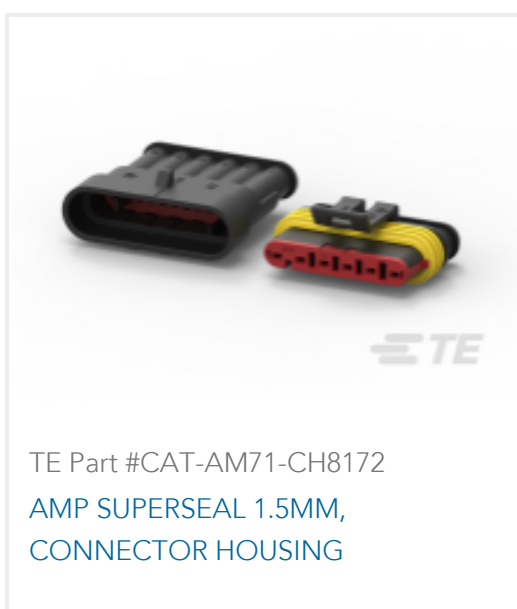
Compatible Parts

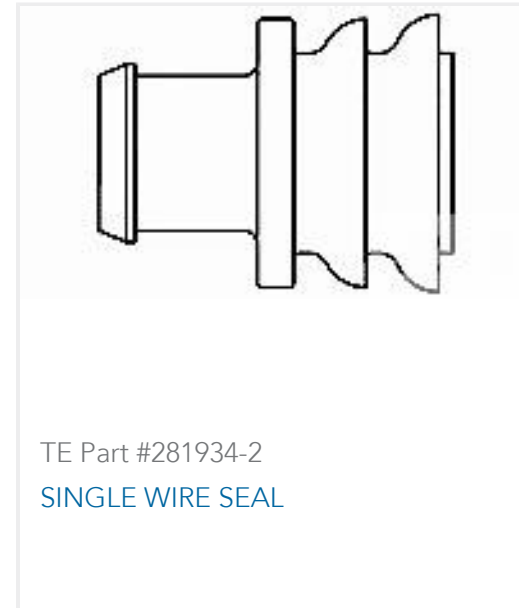
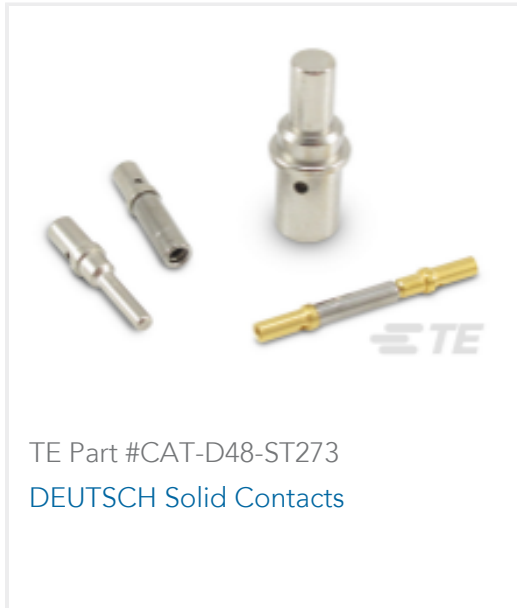


Also in the Series | Agastat GP Series



Customers Also Bought





Documents

Product Drawings

[GPIQ=RLY,120VAC,LED](#)

English

Datasheets & Catalog Pages

[5-1773450-5_sec12_GP_ML_TR](#)

English