



Mark I

TE Internal #: 142186-1

TE Internal Description: MIC TAB WITH LANCE

[View on TE.com >](#)



Product Compliance

[For compliance documentation, visit the product page on TE.com>](#)

EU RoHS Directive 2011/65/EU	Compliant
EU ELV Directive 2000/53/EC	Compliant
China RoHS 2 Directive MIIT Order No 32, 2016	No Restricted Materials Above Threshold
EU REACH Regulation (EC) No. 1907/2006	Current ECHA Candidate List: JUNE 2024 (241) Candidate List Declared Against: JUNE 2024 (241) Does not contain REACH SVHC
Halogen Content	Low Halogen - Br, Cl, F, I < 900 ppm per homogenous material. Also BFR/CFR/PVC Free
Solder Process Capability	Not applicable for solder process capability

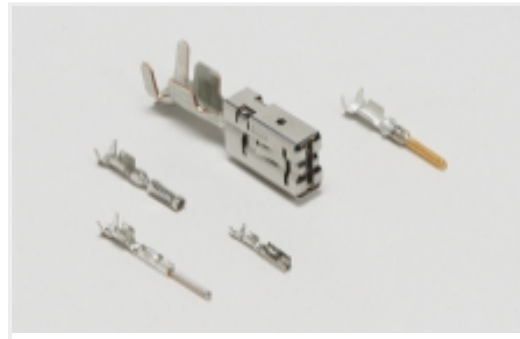
Product Compliance Disclaimer

This information is provided based on reasonable inquiry of our suppliers and represents our current actual knowledge based on the information they provided. This information is subject to change. The part numbers that TE has identified as EU RoHS compliant have a maximum concentration of 0.1% by weight in homogenous materials for lead, hexavalent chromium, mercury, PBB, PBDE, DBP, BBP, DEHP, DIBP, and 0.01% for cadmium, or qualify for an exemption to these limits as defined in the Annexes of Directive 2011/65/EU (RoHS2). Finished electrical and electronic equipment products will be CE marked as required by Directive 2011/65/EU. Components may not be CE marked. Additionally, the part numbers that TE has identified as EU ELV compliant have a maximum concentration of 0.1% by weight in homogenous materials for lead, hexavalent chromium, and mercury, and 0.01% for cadmium, or qualify for an exemption to these limits as defined in the Annexes of Directive 2000/53/EC (ELV). Regarding the REACH Regulation, the information TE provides on SVHC in articles for this part number is based on the latest European Chemicals Agency (ECHA) 'Guidance on requirements for substances in articles' posted at this URL: <https://echa.europa.eu/guidance-documents/guidance-on-reach>

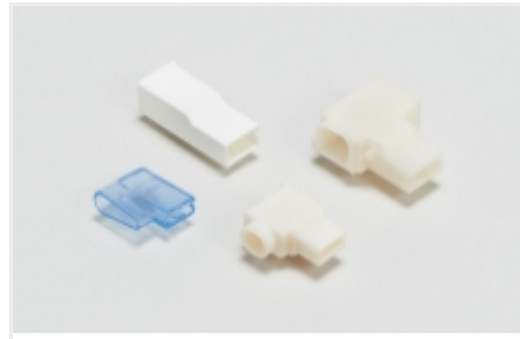
Also in the Series | [Mark I](#)



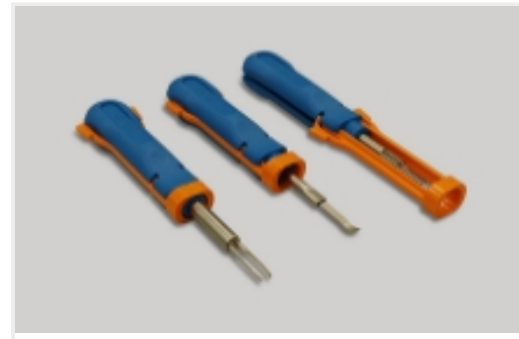
Automotive Headers(5)



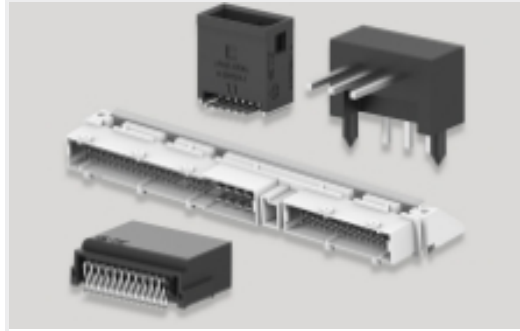
Automotive Terminals(2)



Crimp Terminal Housings(24)



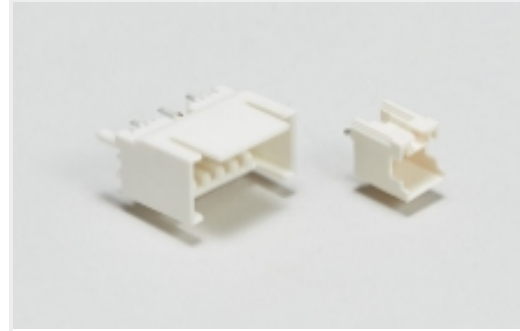
Insertion & Extraction Tools(1)



PCB Headers & Receptacles(5)

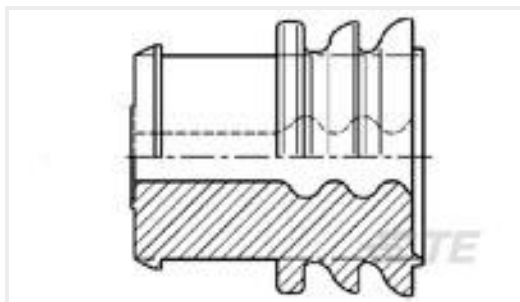


Quick Disconnects(29)



Wire-to-Board Headers & Receptacles (5)

Customers Also Bought



TE Part #100132-1
CAVITY PLUG



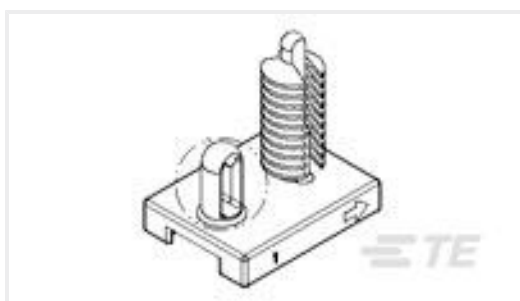
TE Part #1717677-1
CAP ASSY,12P,BRACKET REVERSE
TYPE,ATAC C



TE Part #1241406-3
AMP MCP 6.3/4.8K, CONTACT



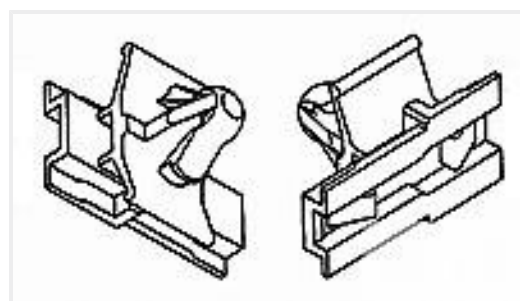
TE Part #280311
IS 375 FASTON NYLON



TE Part #1924487-2
MOUNTING CLIP, AMPSEAL 16



TE Part #HDP26-24-16SE-L015
PLG, 16P, BLK, E, THD, 12, S



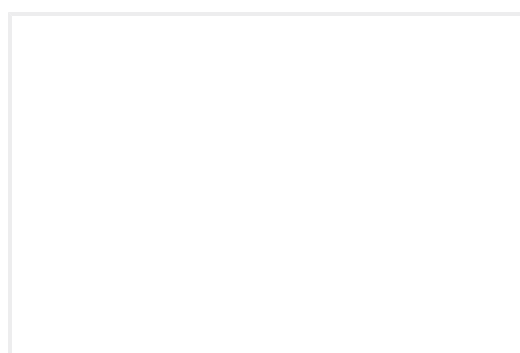
TE Part #345484-1
DUAL PURPOSE BODY CLIP



TE Part #9465854003
RNF-3000-NR552-0-SP



TE Part #1-2318082-3
2POS,AMP MCP 2.8,REC HSG ASSY,
SLD



TE Part #318900-3
CONTROL BOX ASSY AUTO ADJ
BNCH

Documents



Product Drawings

MIC TAB WITH LANCE

English

CAD Files

Customer View Model

[ENG_CVM_142186-1_D.3d_igs.zip](#)

English

Customer View Model

[ENG_CVM_142186-1_D.3d_stp.zip](#)

English

Customer View Model

[ENG_CVM_142186-1_D.2d_dxf.zip](#)

English

3D PDF

English

By downloading the CAD file I accept and agree to the [Terms and Conditions](#) of use.

Product Specifications

Application Specification

English

Crimping Tab Mic I Ref 142186 on Applicator

English

Application Specification

English

Languette Mic I Ref 142186 Machine Automatique

English