

1419168-7 ✓ ACTIVE

AMP | [Get .64 Connector System](#)

TE Internal #: 1419168-7

3 Position Housing, Housing for Female Terminals, Wire-to-Board / Wire-to-Device / Wire-to-Wire, 2.54 mm [.1 in] Centerline, Get .64 Connector System

[View on TE.com >](#)



Connectors > Automotive Connectors > Automotive Housings



Number of Positions: 3

Connector & Housing Type: **Housing for Female Terminals**

Mating Tab Width: .64 mm [.025 in]

Connector System: **Wire-to-Board, Wire-to-Device, Wire-to-Wire**

Centerline (Pitch): 2.54 mm [.1 in]

## Features

### Industry Standards

IP Rating	IP67
-----------	------

### Dimensions

Product Width	24.5 mm[.965 in]
Product Length	31.4 mm[1.236 in]
Connector Height	19.6 mm[.772 in]

### Packaging Features

Packaging Method	Package
Packaging Quantity	600

### Mechanical Attachment

Strain Relief	Without
Terminal Position Assurance	Yes
Mating Alignment Type	Keyed
Mating Alignment	With
Connector Mounting Type	Cable Mount (Free-Hanging)

### Other

Serviceable	Yes
Connector Position Assurance Capable	No
EU RoHS Compliance	Compliant



EU ELV Compliance Compliant

### Body Features

Cable Exit Angle	180°
Primary Product Color	Black
Connector & Keying Code	A

### Housing Features

Housing Material	PA GF
Centerline (Pitch)	2.54 mm [.1 in]

### Contact Features

Contact Size	.64mm
Contact Type	Receptacle
Mating Tab Width	.64 mm [.025 in]

### Product Type Features

Mixed & Hybrid Connector	No
Connector Shape	Rectangular
Connector & Housing Type	Housing for Female Terminals
Connector System	Wire-to-Board, Wire-to-Device, Wire-to-Wire
Sealable	Yes
Primary Locking Feature	Integrated in Housing

### Configuration Features

Number of Positions	3
Number of Rows	1

### Usage Conditions

Operating Temperature (Max)	125 °C [248 °F] [221 °F] [158 °F] [167 °F] [230 °F] [176 °F] [194 °F] [185 °F] [212 °F] [257 °F]
Operating Temperature Range	-40 – 125 °C [-40 – 257 °F]

### Operation/Application

Circuit Application	Signal
---------------------	--------

### Product Compliance

[For compliance documentation, visit the product page on TE.com>](#)



EU RoHS Directive 2011/65/EU	Compliant
EU ELV Directive 2000/53/EC	Compliant
China RoHS 2 Directive MIIT Order No 32, 2016	No Restricted Materials Above Threshold
EU REACH Regulation (EC) No. 1907/2006	<p>Current ECHA Candidate List: JUNE 2024 (241)</p> <p>Candidate List Declared Against: JUNE 2024 (241)</p> <p>SVHC &gt; Threshold:</p> <p>Octamethylcyclotetrasiloxane (D4) (.5% in Component Part)</p> <p>Dodecamethylcyclohexasiloxane (D6) (.5% in Component Part)</p> <p>Decamethylcyclopentasiloxane (D5) (.5% in Component Part)</p> <p><b>Article Safe Usage Statements:</b>                      Wash thoroughly after handling. Recycle if possible and dispose of the article by following all applicable governmental regulations relevant to your geographic location.</p>
Halogen Content	Low Halogen - Br, Cl, F, I < 900 ppm per homogenous material. Also BFR/CFR/PVC Free
Solder Process Capability	Not applicable for solder process capability

Product Compliance Disclaimer

This information is provided based on reasonable inquiry of our suppliers and represents our current actual knowledge based on the information they provided. This information is subject to change. The part numbers that TE has identified as EU RoHS compliant have a maximum concentration of 0.1% by weight in homogenous materials for lead, hexavalent chromium, mercury, PBB, PBDE, DBP, BBP, DEHP, DIBP, and 0.01% for cadmium, or qualify for an exemption to these limits as defined in the Annexes of Directive 2011/65/EU (RoHS2). Finished electrical and electronic equipment products will be CE marked as required by Directive 2011/65/EU. Components may not be CE marked. Additionally, the part numbers that TE has identified as EU ELV compliant have a maximum concentration of 0.1% by weight in homogenous materials for lead, hexavalent chromium, and mercury, and 0.01% for cadmium, or qualify for an exemption to these limits as defined in the Annexes of Directive 2000/53/EC (ELV). Regarding the REACH Regulation, the information TE provides on SVHC in articles for this part number is based on the latest European Chemicals Agency (ECHA) 'Guidance on requirements for substances in articles' posted at this URL: <https://echa.europa.eu/guidance-documents/guidance-on-reach>

### Compatible Parts

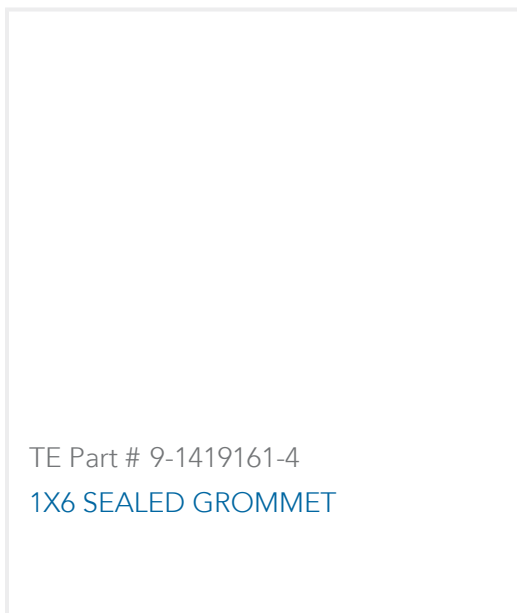


TE Part # 3-1579007-6  
EXTRACTION TOOL

TE Part # 4-1419161-8  
1X6 SEALED SPACER

TE Part # 8-1419161-2  
0.64 PERIMETER SEAL

TE Part # 6-1419161-3  
1X6 SEALED COVER



TE Part # 9-1419161-4  
1X6 SEALED GROMMET

## Also in the Series | [Get .64 Connector System](#)



Automotive Connector Caps & Covers (5)



Automotive Headers(3)



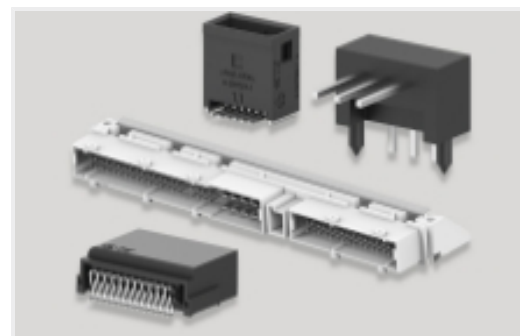
Automotive Housings(87)



Automotive Terminals(28)



Insertion & Extraction Tools(1)



PCB Headers & Receptacles(3)



Wire-to-Board Headers & Receptacles (3)

## Customers Also Bought



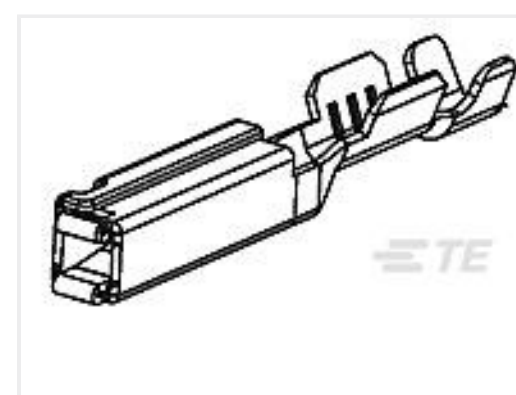
TE Part #1939351-1  
1.0 SEALED RECEPTACLE CONTACT Sn



TE Part #2328919-2  
3POS,MCON 1.2,REC HSG ASSY,SLD



TE Part #2098628-1  
22P UNSEALED HYBRID WIRE DRESS



TE Part #1393365-1  
V23540X7000Y20GET-FEM TERM AU



TE Part #2035363-1  
1X6 GENERATION Y ASSY KEY B



TE Part #2203973-5  
26POS,MCON 1.2,REC HSG ASSY,SLD,COD A



TE Part #170456-2  
PL 250 AM REC 12-10 0.40 X 21 PRE-TPBR



TE Part #2141995-1  
10POS,TAB 0.63X0.64,PIN HSG,ASSY



TE Part #2386232-1  
REC CONN CVR ASSY, 46 POS, 0.64  
GENER. Y



TE Part #1326140-1  
32WAY LAC SHIELD ASSEMBLY 70 D

## Documents

### Product Drawings

#### MARKET 1X6 FEMALE SEALED

English

### CAD Files

#### Customer View Model

[ENG\\_CVM\\_CVM\\_1419168-7\\_H.2d\\_dxf.zip](#)

English

#### 3D PDF

3D

#### Customer View Model

[ENG\\_CVM\\_CVM\\_1419168-7\\_H.3d\\_igs.zip](#)

English

#### Customer View Model

[ENG\\_CVM\\_CVM\\_1419168-7\\_H.3d\\_stp.zip](#)

English

By downloading the CAD file I accept and agree to the [Terms and Conditions](#) of use.

### Product Specifications

#### Application Specification

English

### Instruction Sheets

#### Instruction Sheet (U.S.)

English

#### Instruction Sheet (U.S.)

English