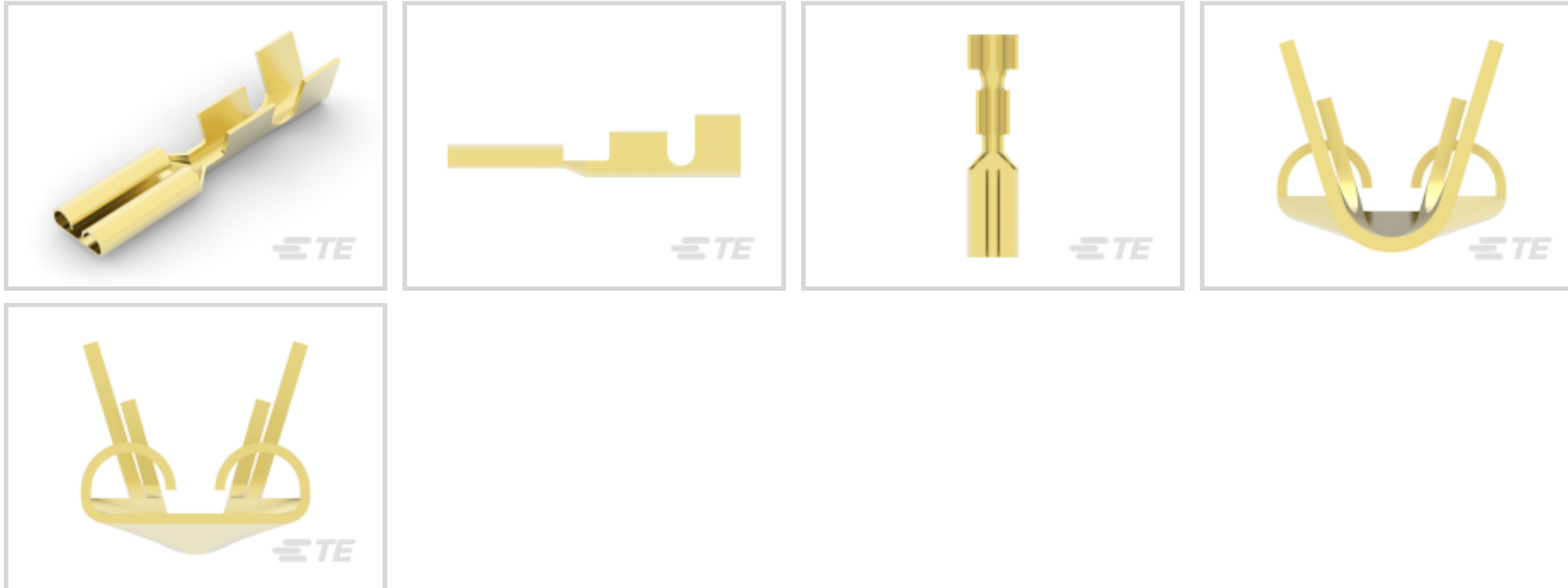




Terminals & Splices > Quick Disconnects



Quick Disconnect Terminal Type: **Receptacle**

Wire Size: .34 – .75 mm²

Mating Tab Width: 2.8 mm [.11 in]

Mating Tab Thickness: .51 mm [.02 in]

Features

Industry Standards

Compatible With Agency/Standards Products	UL, CSA
---	---------

Termination Features

Product Terminates To	Wire & Cable
-----------------------	--------------

Configuration Features

Compatible With Wire & Cable Type	Discrete Wire
Connection Capacity	Single

Mechanical Attachment

Wire Insulation Support	With
Mating Retention Type	Dimple

Other

Line	Premier
EU RoHS Compliance	Compliant
EU ELV Compliance	Compliant

Packaging Features



Packaging Quantity	10000
--------------------	-------

Packaging Method	Strip/Reel
------------------	------------

Dimensions

Product Length	16.1 mm [.634 in]
----------------	-------------------

Compatible Insulation Diameter Range	1.5 – 2.5 mm [.059 – .098 in]
--------------------------------------	-------------------------------

Terminal Material Thickness	.25 mm [.01 in]
-----------------------------	-----------------

Wire Size	.34 – .75 mm ²
-----------	---------------------------

Product Type Features

Insertion Force	Normal
-----------------	--------

Contact Features

Quick Disconnect Terminal Type	Receptacle
--------------------------------	------------

Mating Tab Width	2.8 mm [.11 in]
------------------	-----------------

Mating Tab Thickness	.51 mm [.02 in]
----------------------	-----------------

Terminal Orientation	Straight
----------------------	----------

Contact Base Material	Brass
-----------------------	-------

Terminal Plating Material	Unplated
---------------------------	----------

Crimp Type	F-Crimp
------------	---------

Barrel Type	Open
-------------	------

Usage Conditions

Insulation Option	Uninsulated
-------------------	-------------

Operating Temperature Range	-40 – 110 °C [-40 – 230 °F]
-----------------------------	-----------------------------

Product Compliance

For compliance documentation, visit the product page on [TE.com](https://www.te.com)>

EU RoHS Directive 2011/65/EU	Compliant
------------------------------	-----------

EU ELV Directive 2000/53/EC	Compliant
-----------------------------	-----------

China RoHS 2 Directive MIIT Order No 32, 2016	No Restricted Materials Above Threshold
---	---

EU REACH Regulation (EC) No. 1907/2006	Current ECHA Candidate List: JUNE 2024 (241) Candidate List Declared Against: JUNE 2024 (241) Does not contain REACH SVHC
--	---

Halogen Content	Low Halogen - Br, Cl, F, I < 900 ppm per homogenous material. Also BFR/CFR/PVC Free
-----------------	---

Solder Process Capability

Not applicable for solder process capability

Product Compliance Disclaimer

This information is provided based on reasonable inquiry of our suppliers and represents our current actual knowledge based on the information they provided. This information is subject to change. The part numbers that TE has identified as EU RoHS compliant have a maximum concentration of 0.1% by weight in homogenous materials for lead, hexavalent chromium, mercury, PBB, PBDE, DBP, BBP, DEHP, DIBP, and 0.01% for cadmium, or qualify for an exemption to these limits as defined in the Annexes of Directive 2011/65/EU (RoHS2). Finished electrical and electronic equipment products will be CE marked as required by Directive 2011/65/EU. Components may not be CE marked. Additionally, the part numbers that TE has identified as EU ELV compliant have a maximum concentration of 0.1% by weight in homogenous materials for lead, hexavalent chromium, and mercury, and 0.01% for cadmium, or qualify for an exemption to these limits as defined in the Annexes of Directive 2000/53/EC (ELV). Regarding the REACH Regulation, the information TE provides on SVHC in articles for this part number is based on the latest European Chemicals Agency (ECHA) 'Guidance on requirements for substances in articles' posted at this URL: <https://echa.europa.eu/guidance-documents/guidance-on-reach>

Compatible Parts



TE Part # 2063846-1
CCII 110 FASTON REC 24-18 ASSY



TE Part # 160597-4
110 FASTON,REC.,30-26 AWG,TPBR



TE Part # 7-2150636-7
OCEAN_2.0_SPARE_PART_KIT-062F090V



TE Part # 2150049-2
OCEAN-2.0-APPLICATOR-E-062F090FA-REA



TE Part # 737107-1
110 FASTON REC 20-17 AWG BR



TE Part # 151614-2
110 MINI FASTON,REC.,24-20 AWG,BR



TE Part # 7-2150049-7
OCEAN_2.0_SPARE_PART_KIT-062F090F



TE Part # 2150636-1
OCEAN-2.0-APPLICATOR-S-062F090OV-RSM



TE Part # 2150049-1
OCEAN-2.0-APPLICATOR-E-062F090F-REM



TE Part # 141939-1
110 FASTON,FLAG,REC.,22-18 AWG, BR

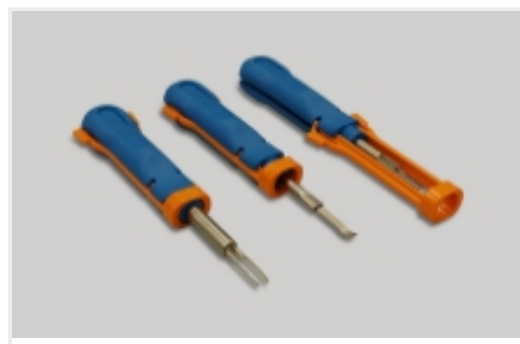


TE Part # 2150636-2
OCEAN-2.0-APPLICATOR-S-062F090OV-RSA

Also in the Series | **FASTON 110**



Crimp Terminal Housings(13)



Insertion & Extraction Tools(1)



PCB Terminals(22)

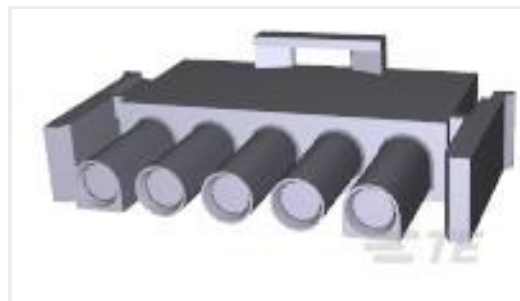


Quick Disconnects(168)

Customers Also Bought



TE Part #770903-1
MINI UMNL PIN 22-18 AWG SN



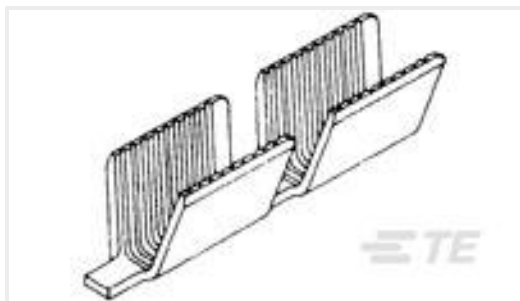
TE Part #350809-1
05P UMNL PLUG HSG



TE Part #1SNG626153R0000
EP-SGL-PG11-BL-B



TE Part #63658-1
MAG MATE TERM 25-22 016TPBR



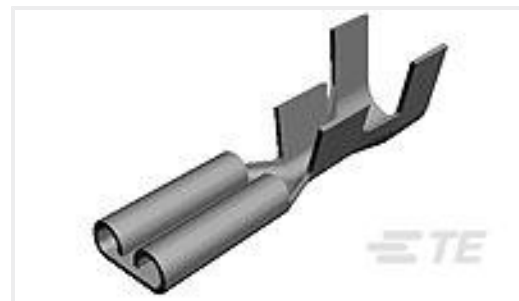
TE Part #62305-2
AMVAR SPLC 600-3000 016TPBR



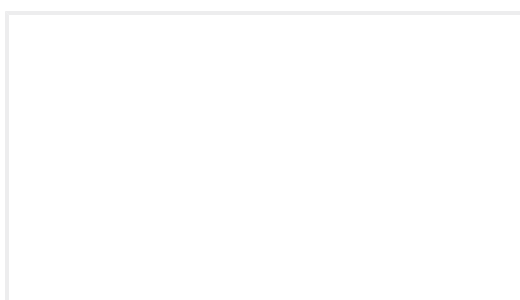
TE Part #172166-1
3 CIR UNIV M-N-L PLUG



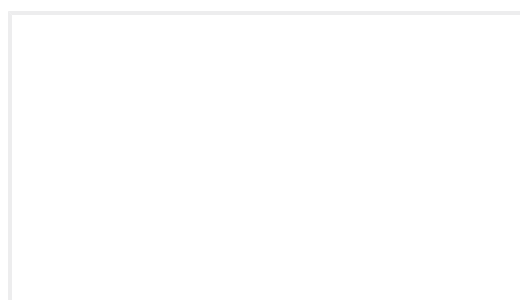
TE Part #1-963217-1
16 J-P-T GEH KOMPL



TE Part #737107-1
110 FASTON REC 20-17 AWG BR



TE Part #1SNA168298R1300
SERRE FILS BLOC CI



TE Part #2-1768302-4
LBF-79256111A

Documents

Product Drawings

[110 FASTON,REC.,22-18 AWG,BR](#)

English

CAD Files

[3D PDF](#)

[3D](#)

Customer View Model

[ENG_CVM_CVM_140717-1_AS.2d_dxf.zip](#)



English

Customer View Model

[ENG_CVM_CVM_140717-1_AS.3d_igs.zip](#)

English

Customer View Model

[ENG_CVM_CVM_140717-1_AS.3d_stp.zip](#)

English

By downloading the CAD file I accept and agree to the [Terms and Conditions](#) of use.

Product Specifications

[Wire Preparation And Crimp Inspection Guide](#)

English

Agency Approvals

[Agency Approval Document](#)

English