

1393454-6 ✓ ACTIVE

AMP | Timer Connector System

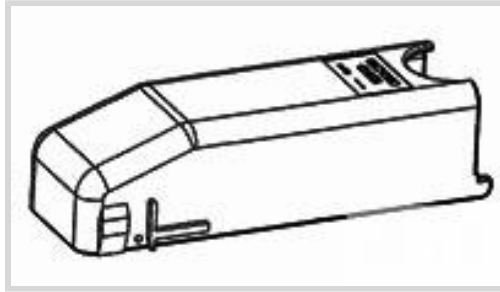
TE Internal #: 1393454-6

52 Position, Black, Cover, PBT GF20, 180° Cable Exit, -40 – 140 °C [-40 – 284 °F], Timer Connector System

[View on TE.com >](#)



Automotive Parts > Automotive Connector Accessories > Automotive Connector Caps & Covers



Number of Positions: **52**

Primary Product Color: **Black**

Protection & Strain Relief Accessory Type: **Cover**

Primary Product Material: **PBT GF20**

Cable Exit Angle: **180°**

Features

Product Type Features

Protection & Strain Relief Accessory Type	Cover
---	-------

Configuration Features

Number of Positions	52
---------------------	----

Body Features

Primary Product Color	Black
Primary Product Material	PBT GF20
Cable Exit Angle	180°

Mechanical Attachment

Strain Relief	Without
---------------	---------

Dimensions

Compatible Cable Bundle Diameter Range	11.25 mm[.443 in]
--	-------------------

Usage Conditions

Operating Temperature (Max)	140 °C[284 °F]
Operating Temperature Range	-40 – 140 °C[-40 – 284 °F]

Packaging Features

Packaging Method	Box
Packaging Quantity	660

Other



Serviceable	Yes
-------------	-----

Product Compliance

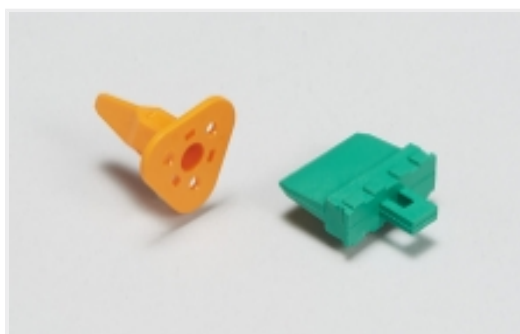
[For compliance documentation, visit the product page on TE.com>](#)

EU RoHS Directive 2011/65/EU	Compliant
EU ELV Directive 2000/53/EC	Compliant
China RoHS 2 Directive MIIT Order No 32, 2016	有害物质含量符合标准要求 No Restricted Substance(s) Above Threshold
EU REACH Regulation (EC) No. 1907/2006	Current ECHA Candidate List: JUNE 2025 (250) Candidate List Declared Against: JUNE 2025 (250) Does not contain REACH SVHC
Halogen Content	Low Halogen - Br, Cl, F < 900 ppm per homogenous material. Also BFR/CFR/PVC Free
Solder Process Capability	Not applicable for solder process capability

Product Compliance Disclaimer

This information is provided based on reasonable inquiry of our suppliers and represents our current actual knowledge based on the information they provided. This information is subject to change. The part numbers that TE has identified as EU RoHS compliant have a maximum concentration of 0.1% by weight in homogenous materials for lead, hexavalent chromium, mercury, PBB, PBDE, DBP, BBP, DEHP, DIBP, and 0.01% for cadmium, or qualify for an exemption to these limits as defined in the Annexes of Directive 2011/65/EU (RoHS2). Finished electrical and electronic equipment products will be CE marked as required by Directive 2011/65/EU. Components may not be CE marked. Additionally, the part numbers that TE has identified as EU ELV compliant have a maximum concentration of 0.1% by weight in homogenous materials for lead, hexavalent chromium, and mercury, and 0.01% for cadmium, or qualify for an exemption to these limits as defined in the Annexes of Directive 2000/53/EC (ELV). Regarding the REACH Regulation, the information TE provides on SVHC in articles for this part number is based on the latest European Chemicals Agency (ECHA) 'Guidance on requirements for substances in articles' posted at this URL: <https://echa.europa.eu/guidance-documents/guidance-on-reach>

Also in the Series | Timer Connector System



Automotive Connector Locks & Position Assurance(15)



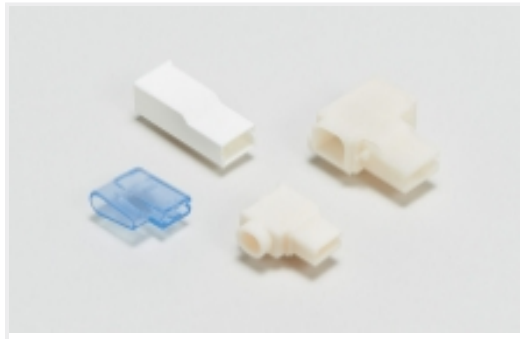
Automotive Housings(186)



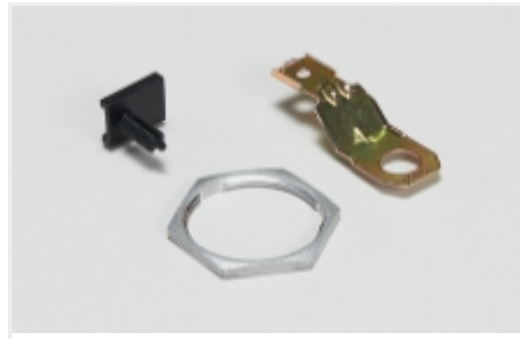
Automotive Seals & Cavity Plugs(32)



Automotive Signal & Power Connector Housings(136)



Crimp Terminal Housings(13)



Other Automotive Connector Accessories(1)

Customers Also Bought



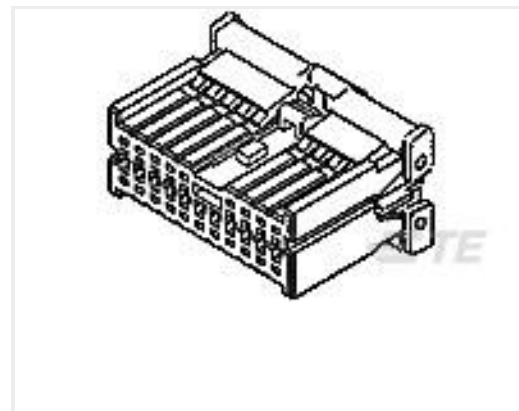
TE Part #ASL106-05SB-HE
RECEPT.ASSY. IN-LINE.AS MICRO
MK3



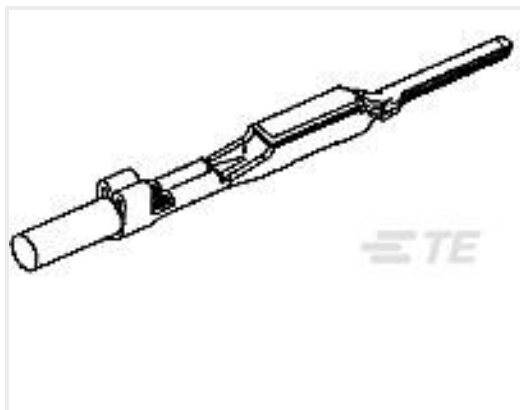
TE Part #880627-2
RING TONGUE 1.0-2.5 MM2 0.60 X
14.60 BR



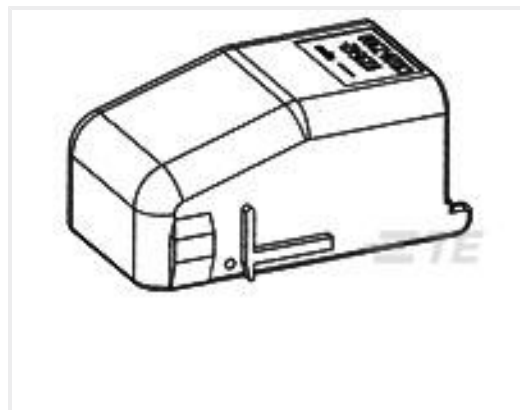
TE Part #CAT-T4827-T273
TIMER, RECEPTACLE AND TAB



TE Part #1123371-1
040-3 MLC PLUG HSG ASSY 16P



TE Part #1376039-1
040 NK TAB CONT PRE TIN



TE Part #1393454-1
V23542C1028Z100=28P ABDECKKAPP



TE Part #2151050-1
OCEAN_2.0_APPLICATOR-S-
062F0900-RSM



TE Part #2208277-3
60POS MQS REC SEALED



TE Part #2325593-2
REC CONN CVR,2POS,MINI MIC

Documents

Product Drawings

[V23542C1052Z100=52P COVER](#)

English

[V23542C1052Z100=52P COVER](#)

English

CAD Files

[3D PDF](#)

English



Customer View Model

[ENG_CVM_1393454-6_A1.2d_dxf.zip](#)

English

Customer View Model

[ENG_CVM_1393454-6_A1.3d_igs.zip](#)

English

Customer View Model

[ENG_CVM_1393454-6_A1.3d_stp.zip](#)

English

By downloading the CAD file I accept and agree to the [Terms and Conditions](#) of use.

Datasheets & Catalog Pages

[product-1393454-6_datasheet](#)

English