

1393454-1 ✓ ACTIVE

AMP | Timer Connector System

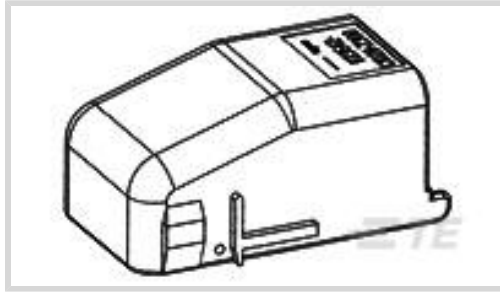
TE Internal #: 1393454-1

28 Position, Black, Cover - Cable Exit, PBT GF, -40 – 140 °C [-40 – 284 °F], Timer Connector System

[View on TE.com >](#)



Automotive Parts > Automotive Connector Accessories > Automotive Connector Caps & Covers



Number of Positions: **28**

Primary Product Color: **Black**

Protection & Strain Relief Accessory Type: **Cover - Cable Exit**

Primary Product Material: **PBT GF**

Strain Relief: **Without**

Features

Product Type Features

Protection & Strain Relief Accessory Type	Cover - Cable Exit
---	--------------------

Configuration Features

Number of Positions	28
---------------------	----

Body Features

Primary Product Color	Black
Primary Product Material	PBT GF

Mechanical Attachment

Strain Relief	Without
---------------	---------

Dimensions

Compatible Cable Bundle Diameter Range	10.75 mm[.423 in]
--	-------------------

Usage Conditions

Operating Temperature (Max)	140 °C[284 °F]
Operating Temperature Range	-40 – 140 °C[-40 – 284 °F]

Industry Standards

UL Flammability Rating	UL 94HB
------------------------	---------

Packaging Features

Packaging Method	Box
Packaging Quantity	1440



Other

Serviceable	Yes
-------------	-----

Product Compliance

[For compliance documentation, visit the product page on TE.com>](#)

EU RoHS Directive 2011/65/EU	Compliant
EU ELV Directive 2000/53/EC	Compliant
China RoHS 2 Directive MIIT Order No 32, 2016	有害物质含量符合标准要求 No Restricted Substance(s) Above Threshold
EU REACH Regulation (EC) No. 1907/2006	Current ECHA Candidate List: JUNE 2025 (250) Candidate List Declared Against: JUNE 2025 (250) Does not contain REACH SVHC
Halogen Content	Low Halogen - Br, Cl, F < 900 ppm per homogenous material. Also BFR/CFR/PVC Free
Solder Process Capability	Not applicable for solder process capability

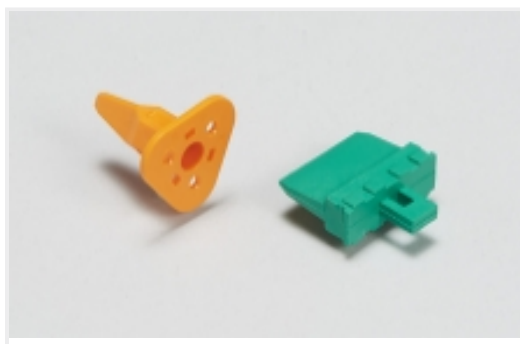
Product Compliance Disclaimer

This information is provided based on reasonable inquiry of our suppliers and represents our current actual knowledge based on the information they provided. This information is subject to change. The part numbers that TE has identified as EU RoHS compliant have a maximum concentration of 0.1% by weight in homogenous materials for lead, hexavalent chromium, mercury, PBB, PBDE, DBP, BBP, DEHP, DIBP, and 0.01% for cadmium, or qualify for an exemption to these limits as defined in the Annexes of Directive 2011/65/EU (RoHS2). Finished electrical and electronic equipment products will be CE marked as required by Directive 2011/65/EU. Components may not be CE marked. Additionally, the part numbers that TE has identified as EU ELV compliant have a maximum concentration of 0.1% by weight in homogenous materials for lead, hexavalent chromium, and mercury, and 0.01% for cadmium, or qualify for an exemption to these limits as defined in the Annexes of Directive 2000/53/EC (ELV). Regarding the REACH Regulation, the information TE provides on SVHC in articles for this part number is based on the latest European Chemicals Agency (ECHA) 'Guidance on requirements for substances in articles' posted at this URL: <https://echa.europa.eu/guidance-documents/guidance-on-reach>

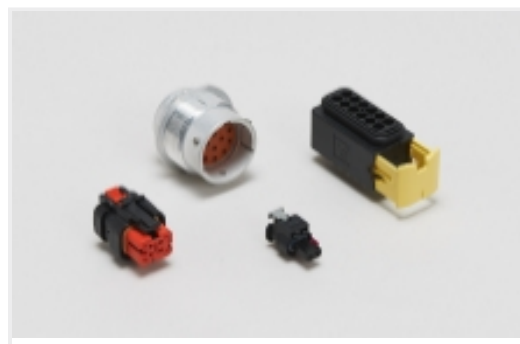
Compatible Parts



Also in the Series | [Timer Connector System](#)



Automotive Connector Locks & Position Assurance(15)



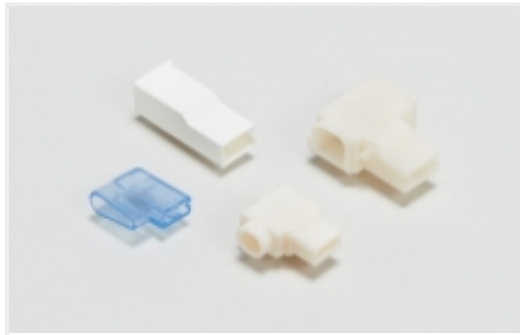
Automotive Housings(186)



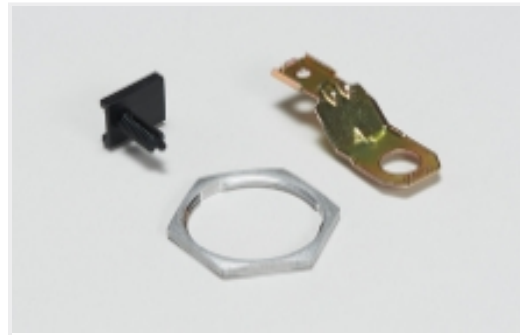
Automotive Seals & Cavity Plugs(32)



Automotive Signal & Power Connector Housings(136)



Crimp Terminal Housings(13)



Other Automotive Connector Accessories(1)

Customers Also Bought



TE Part #DT3P-BT-BK
BOOT, 3P, REC, ST, BLK



TE Part #1-929170-4
4POS MQS REC COD A



TE Part #1241846-1
TAB A 1.6x0.6 CONTACT CS SRC Sn



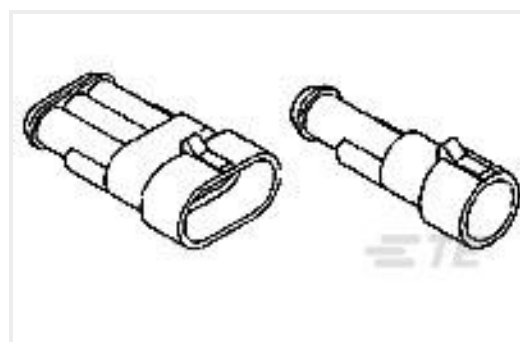
TE Part #1393436-2
V23542C1028B102=28P KABELBAUMS



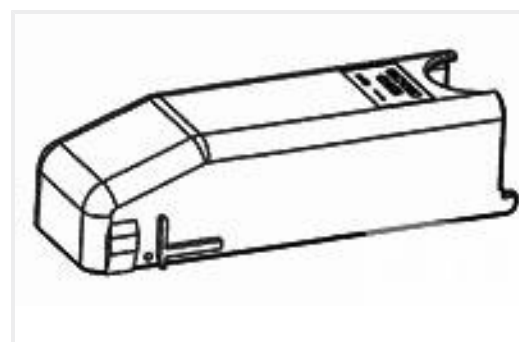
TE Part #1393450-3
V23542C1052B102=52P KABELBAUMS



TE Part #3-1418448-2
3POS MCP1.5k REC HSG CO MID POS CLOSED



TE Part #282104-3
AMP SUPERSEAL 1.5 SERIES 2P CA



TE Part #1393454-9
V23542C1052Z300=ABDECKK 52PDIC



TE Part #4-2103015-4
PLUG SUBASSY, D, HVA280-2PHM F



TE Part #9-2141157-1
SHIELD CRIMP FERRULE,90DEG

Documents



Product Drawings

[V23542C1028Z100=28P ABDECKKAPP](#)

English

[V23542C1028Z100=28P ABDECKKAPP](#)

English

CAD Files

3D PDF

English

Customer View Model

[ENG_CVM_1393454-1_A1.2d_dxf.zip](#)

English

Customer View Model

[ENG_CVM_1393454-1_A1.3d_igs.zip](#)

English

Customer View Model

[ENG_CVM_1393454-1_A1.3d_stp.zip](#)

English

By downloading the CAD file I accept and agree to the [Terms and Conditions](#) of use.

Datasheets & Catalog Pages

[product-1393454-1_datasheet](#)

English