

1393429-1 ✓ ACTIVE

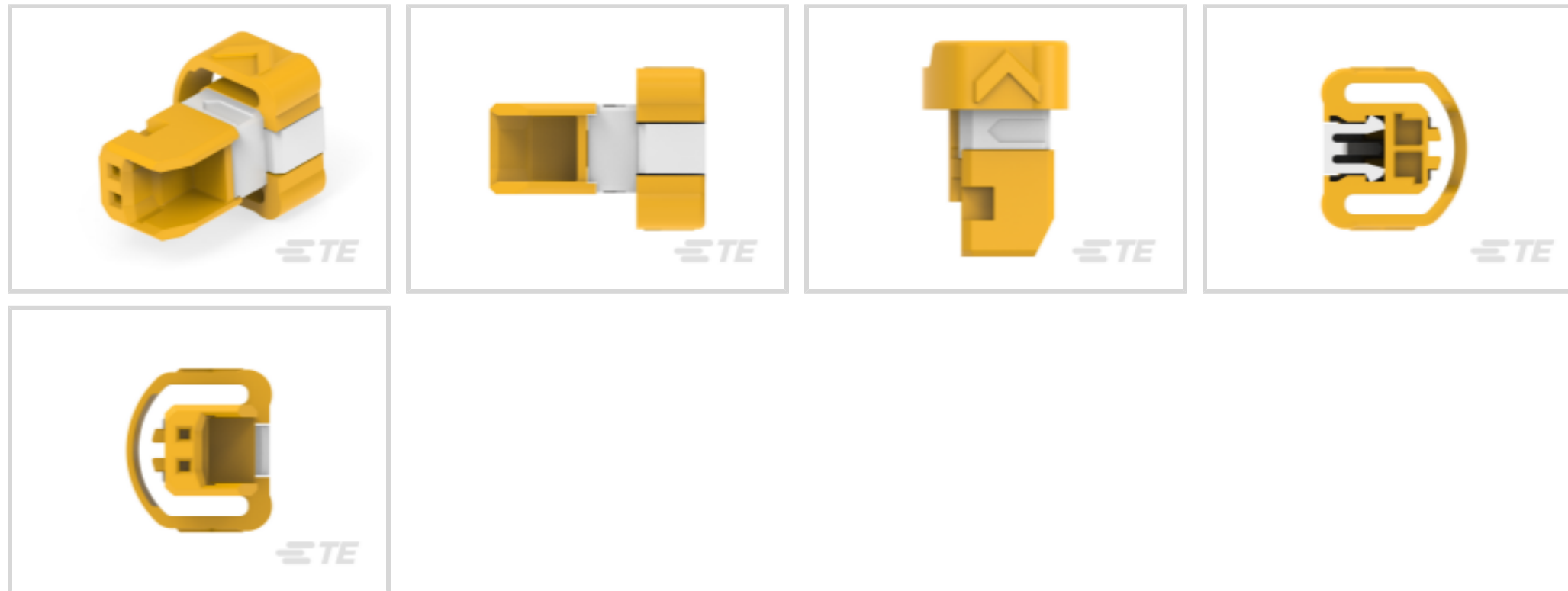
TE Internal #: 1393429-1

2 Position Housing, Housing for Female Terminals, Wire-to-Wire,  
2.54 mm [.1 in] Centerline, Blue, Wire & Cable, Signal, Cable Mount  
(Free-Hanging)

[View on TE.com >](#)



Connectors > Automotive Connectors > Automotive Housings



Number of Positions: 2

Connector & Housing Type: **Housing for Female Terminals**

Mating Tab Width: .63 mm [.025 in]

Connector System: **Wire-to-Wire**

Centerline (Pitch): 2.54 mm [.1 in]

## Features

### Dimensions

Product Width	17.3 mm[.681 in]
Row-to-Row Spacing	5.5 mm[.217 in]
Product Length	13.1 mm[.516 in]
Connector Height	14.4 mm[.567 in]

### Packaging Features

Packaging Method	Box
Packaging Quantity	6600

### Mechanical Attachment

Strain Relief	Without
Terminal Position Assurance	Yes
Mating Alignment Type	Keyed
Mating Alignment	With
Connector Mounting Type	Cable Mount (Free-Hanging)

### Other



Serviceable	No
Connector Position Assurance Capable	No
EU RoHS Compliance	Compliant
EU ELV Compliance	Compliant

### Body Features

Cable Exit Angle	180°
Primary Product Color	Blue
Connector & Keying Code	A

### Housing Features

Housing Material	PBT GF
Centerline (Pitch)	2.54 mm [.1 in]

### Contact Features

Contact Size	.63mm
Contact Type	Receptacle
Mating Tab Width	.63 mm [.025 in]
Contact Current Rating (Max)	7.5 A

### Product Type Features

Mixed & Hybrid Connector	No
Connector Shape	Rectangular
Connector & Housing Type	Housing for Female Terminals
Connector System	Wire-to-Wire
Sealable	No
Primary Locking Feature	On the Terminal
Connector & Contact Terminates To	Wire & Cable

### Configuration Features

Number of Positions	2
Number of Rows	2

### Electrical Characteristics

Nominal Voltage Architecture	24 V, 12 V
------------------------------	------------

### Usage Conditions

Operating Temperature (Max)	120 °C [248 °F]
Operating Temperature Range	-40 – 120 °C [-40 – 248 °F]



### Operation/Application

Circuit Application	Signal
---------------------	--------

### Product Compliance

[For compliance documentation, visit the product page on TE.com>](#)

EU RoHS Directive 2011/65/EU	Compliant
EU ELV Directive 2000/53/EC	Compliant
China RoHS 2 Directive MIIT Order No 32, 2016	No Restricted Materials Above Threshold
EU REACH Regulation (EC) No. 1907/2006	Current ECHA Candidate List: JUNE 2024 (241) Candidate List Declared Against: JUNE 2024 (241) Does not contain REACH SVHC
Halogen Content	Low Halogen - Br, Cl, F, I < 900 ppm per homogenous material. Also BFR/CFR/PVC Free
Solder Process Capability	Not applicable for solder process capability

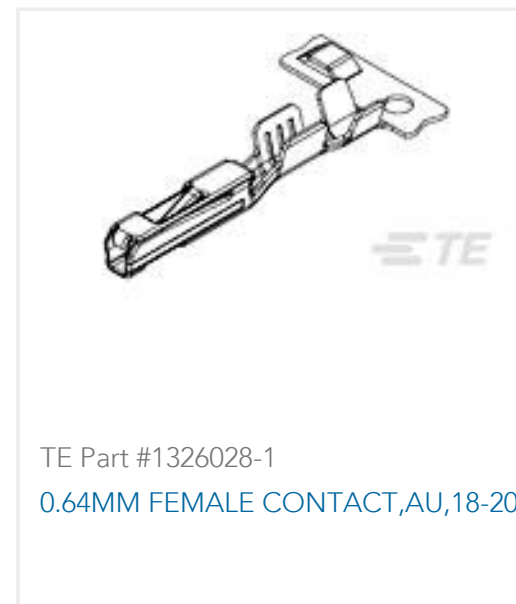
#### Product Compliance Disclaimer

This information is provided based on reasonable inquiry of our suppliers and represents our current actual knowledge based on the information they provided. This information is subject to change. The part numbers that TE has identified as EU RoHS compliant have a maximum concentration of 0.1% by weight in homogenous materials for lead, hexavalent chromium, mercury, PBB, PBDE, DBP, BBP, DEHP, DIBP, and 0.01% for cadmium, or qualify for an exemption to these limits as defined in the Annexes of Directive 2011/65/EU (RoHS2). Finished electrical and electronic equipment products will be CE marked as required by Directive 2011/65/EU. Components may not be CE marked. Additionally, the part numbers that TE has identified as EU ELV compliant have a maximum concentration of 0.1% by weight in homogenous materials for lead, hexavalent chromium, and mercury, and 0.01% for cadmium, or qualify for an exemption to these limits as defined in the Annexes of Directive 2000/53/EC (ELV). Regarding the REACH Regulation, the information TE provides on SVHC in articles for this part number is based on the latest European Chemicals Agency (ECHA) 'Guidance on requirements for substances in articles' posted at this URL: <https://echa.europa.eu/guidance-documents/guidance-on-reach>

### Compatible Parts



### Customers Also Bought



## Documents

### Product Drawings

[V23540M5302Y 20=2P BUCHSENGEH.](#)

English

### CAD Files

Customer View Model

[ENG\\_CVM\\_CVM\\_1393429-1\\_A.2d\\_dxf.zip](#)

English

### 3D PDF

3D

Customer View Model

[ENG\\_CVM\\_CVM\\_1393429-1\\_A.3d\\_igs.zip](#)

English

Customer View Model

[ENG\\_CVM\\_CVM\\_1393429-1\\_A.3d\\_stp.zip](#)

English

By downloading the CAD file I accept and agree to the [Terms and Conditions](#) of use.