

1393367-1 ✓ ACTIVE

AMP | [Get .64 Connector System](#)

TE Internal #: 1393367-1

Receptacle Terminal, 24 – 22 AWG, .22 – .35 mm² Wire, 1 mm [.039 in] Tab Width, Tin (Sn), .64 mm [.025 in] Tab Thickness, Get .64 Connector System

[View on TE.com >](#)



Automotive Parts > Automotive Terminals > GET .64 CONNECTOR SYSTEM, RECEPT AND TAB



Terminal Type: **Receptacle**

Wire Size: **24 – 22 AWG**

Mating Tab Width: **1 mm [.039 in]**

Interface Plating: **Tin (Sn)**

[All GET .64 CONNECTOR SYSTEM, RECEPT AND TAB \(31\)](#)

Features

Product Type Features

Receptacle Style	180°
Primary Locking Feature	Clean Body
Sealable	No

Body Features

Terminal Seal Type	Unsealed
--------------------	----------

Contact Features

Typical Current Rating	9 A
Crimp Type	F-Crimp
Contact Size	.64mm
Contact Fabrication	Stamped & Formed
Wire Contact Termination Area Plating Material	Tin
Terminal Type	Receptacle
Mating Tab Width	1 mm [.039 in]
Interface Plating	Tin (Sn)
Mating Tab Thickness	.64 mm [.025 in]

Termination Features

--	--



Termination Method to Wire & Cable	Crimp
------------------------------------	-------

Product Terminates To	Wire
-----------------------	------

Dimensions

Compatible Insulation Diameter Range	1.2 – 1.4 mm [.043 – .065 in]
--------------------------------------	-------------------------------

Wire Size	24 – 22 AWG
-----------	-------------

Wire Size Search	.2 mm ² , .25 mm ² , .3 mm ²
------------------	---

Tab Length	17.2 mm [.68 in]
------------	------------------

Usage Conditions

Insulation Option	Uninsulated
-------------------	-------------

Operating Temperature (Max)	125 °C [212 °F]
-----------------------------	-----------------

Operating Temperature Range	-40 – 125 °C [-40 – 257 °F]
-----------------------------	-----------------------------

Operation/Application

Compatible With Wire Base Material	Copper
------------------------------------	--------

Conforms to Automation Guideline	Yes, DIN 72036 Automation of Wiring Harness Production, Version June 2024, Yes, KOMAX Guideline for automatic component insertion for electrical connections, Version 5.0 (March 2018)
----------------------------------	--

Packaging Features

Packaging Method	Reel
------------------	------

Packaging Quantity	10000
--------------------	-------

Other

Terminal Transmits	0 – 24 A (Low Power)
--------------------	----------------------

Product Compliance

[For compliance documentation, visit the product page on TE.com>](#)

EU RoHS Directive 2011/65/EU	Compliant
------------------------------	-----------

EU ELV Directive 2000/53/EC	Compliant
-----------------------------	-----------

China RoHS 2 Directive MIIT Order No 32, 2016	有害物质含量符合标准要求 No Restricted Substance(s) Above Threshold
---	---

EU REACH Regulation (EC) No. 1907/2006	Current ECHA Candidate List: JUNE 2025 (250) Candidate List Declared Against: JUNE 2025 (250) Does not contain REACH SVHC
--	---

Halogen Content	Low Halogen - Br, Cl, F < 900 ppm per
-----------------	---------------------------------------

homogenous material. Also BFR/CFR/PVC Free

Solder Process Capability

Not applicable for solder process capability

Product Compliance Disclaimer

This information is provided based on reasonable inquiry of our suppliers and represents our current actual knowledge based on the information they provided. This information is subject to change. The part numbers that TE has identified as EU RoHS compliant have a maximum concentration of 0.1% by weight in homogenous materials for lead, hexavalent chromium, mercury, PBB, PBDE, DBP, BBP, DEHP, DIBP, and 0.01% for cadmium, or qualify for an exemption to these limits as defined in the Annexes of Directive 2011/65/EU (RoHS2). Finished electrical and electronic equipment products will be CE marked as required by Directive 2011/65/EU. Components may not be CE marked. Additionally, the part numbers that TE has identified as EU ELV compliant have a maximum concentration of 0.1% by weight in homogenous materials for lead, hexavalent chromium, and mercury, and 0.01% for cadmium, or qualify for an exemption to these limits as defined in the Annexes of Directive 2000/53/EC (ELV). Regarding the REACH Regulation, the information TE provides on SVHC in articles for this part number is based on the latest European Chemicals Agency (ECHA) 'Guidance on requirements for substances in articles' posted at this URL: <https://echa.europa.eu/guidance-documents/guidance-on-reach>

Compatible Parts



TE Part # 2203663-6
2X9 SEALED PLUG ASSY KEY B



TE Part # 2272431-3
1X6 GET UNSLD SIDE LATCH PLUG, KEY C



TE Part # 2151540-1
OCEAN_2.0_APPLICATOR-S-055F0700-RSM



TE Part # 1-1411001-7
8POS,GET 0.64,REC HSG ASSY,SLD



TE Part # 2382775-2
SDE F GET PIN/SCKT 0.35-0.22mm2 DIE SET



TE Part # 1-1411001-6
8POS,GET 0.64,REC HSG ASSY,SLD



TE Part # 2272006-1
Plug Assembly, 20P GET, w/o CPA



TE Part # 2151540-2
OCEAN_2.0_APPLICATOR-S-055F0700-RSA



TE Part # CAT-G3353-CH8172
GET .64 CONNECTOR SYSTEM, RECEPT AND TAB



TE Part # 1452842-3
22 POS FEMALE HSG ASSY



TE Part # 1924639-2
1X8 FEMALE ASSY KEY D, LP LATC



TE Part # 2272431-4
1X6 GET UNSLD SIDE LATCH PLUG, KEY D



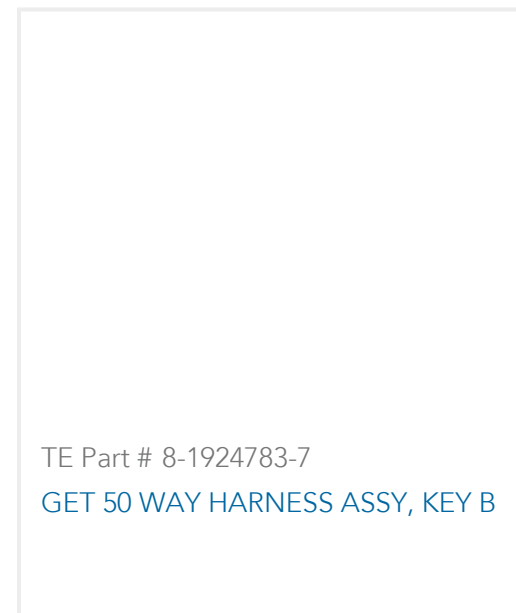
TE Part # 1-1411001-8
8POS,GET 0.64,REC HSG ASSY,SLD



TE Part # 1-1419158-6
GET MALE TERM, A, SN, REREEL



TE Part # 1-1419168-1
MARKET 1X6 FEMALE SEALED



TE Part # 8-1924783-7
GET 50 WAY HARNESS ASSY, KEY B



TE Part # 2382775-1
SDE F GET PIN / SOCKET 0.35-0.22
mm² ASSY



TE Part # 2305570-1
Strip Terminal Cutter-Side Feed-No
Crimp

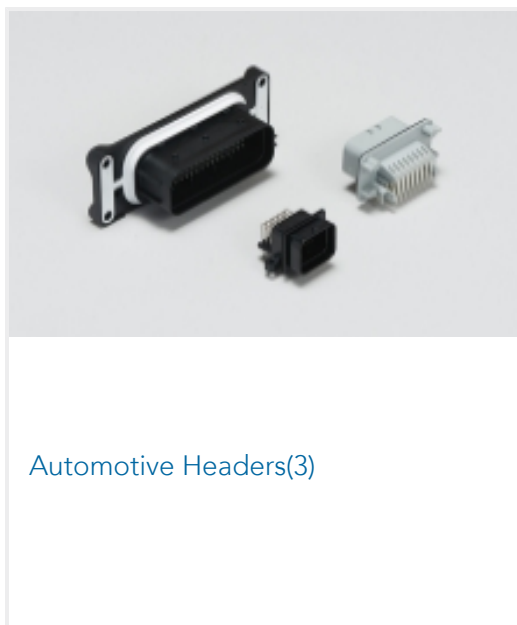


TE Part # 2278398-1
3WAY GET 0.64 SEAL PLUG

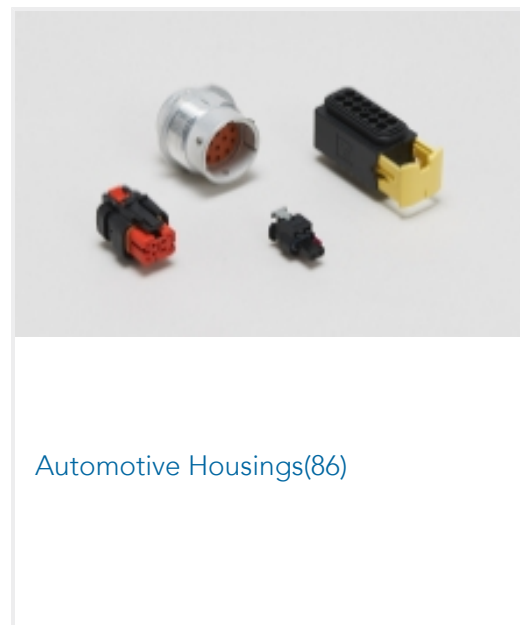


TE Part # 2-1411001-0
2X4 SLD PLUG ASSY KEY B W/CPA

Also in the Series | **Get .64 Connector System**



Automotive Headers(3)



Automotive Housings(86)



Automotive Signal & Power Connector
Housings(86)

Customers Also Bought



TE Part #5-146274-4
04 MODII HDR SRST B/A .100CL



TE Part #749808-9
KIT,PLUG,15P,HDP-20



TE Part #5-928999-1
MQS0,63 Sn rec LL unseal. >0,2-0,35



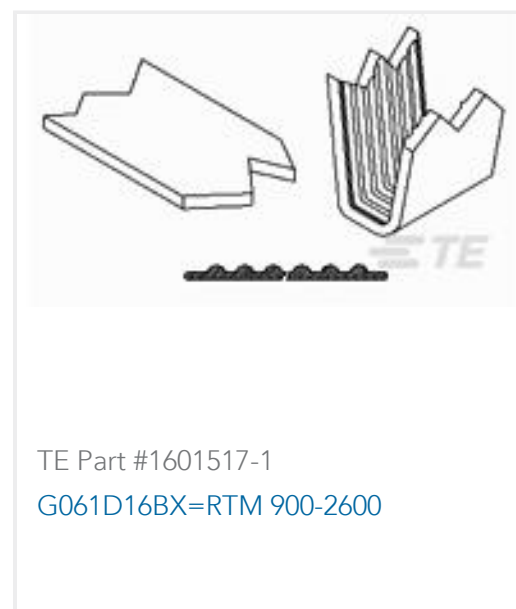
TE Part #953466-1
18W MQS HEADER ASS



TE Part #1456987-3
2x4 Fem unsealed LP assy Key C



TE Part #2-2236343-5
3POS, MCON 1.2 LL REC SEALED



TE Part #1601517-1
G061D16BX=RTM 900-2600



TE Part #2237022-1
16P 025 CAP ASSY



TE Part #2237023-1
40P 025 CAP ASSY



TE Part #2344459-1
7POS, 5.8X0.8, TAB HSG ASSY

Documents

Product Drawings

[V23540X7000Y 11=GET-FEM TERM S](#)

English

[V23540X7000Y 11=GET-FEM TERM S](#)

English

CAD Files

[3D PDF](#)

3D

Customer View Model

[ENG_CVM_CVM_1393367-1_B.2d_dxf.zip](#)

English

Customer View Model

[ENG_CVM_CVM_1393367-1_B.3d_igs.zip](#)

English

Customer View Model

[ENG_CVM_CVM_1393367-1_B.3d_stp.zip](#)

English

By downloading the CAD file I accept and agree to the [Terms and Conditions](#) of use.

Datasheets & Catalog Pages

[GET 0.64 Interconnection System](#)

English

Product Specifications

[Application Specification](#)

English

[Application Specification](#)

German

[Application Specification](#)

English

Instruction Sheets

[UNSEALED GET/MCP 81/40 SLIDER LEVER TYPE CONNECTOR](#)

Japanese

[Instruction Sheet \(non U.S.\)](#)

1393367-1

Receptacle Terminal, 24 – 22 AWG, .22 – .35 mm² Wire, 1 mm [.039 in] Tab Width, Tin (Sn), .64 mm [.025 in] Tab Thickness, Get .64 Connector System



Japanese