

1393315-2 ✓ ACTIVE

High Current Relay HCR 150

TE Internal #: 1393315-2

High Current Relay, DC, Monostable, 1 Form A (NO), 130 A Contact Rating, 12 VDC Coil Voltage, 3.9 W Coil Power, High Current Relay HCR 150

[View on TE.com >](#)



Relays & Contactors > Electromechanical Relays



Relay & Contactor Type: **High Current Relay**

Current Type: **DC**

Coil Magnetic System: **Monostable**

Contact Arrangement: **1 Form A (NO)**

Contact Current Rating: **130 A**

Features

Contact Features

Contact Material	Silver Alloy
------------------	--------------

Mechanical Attachment

Product Mounting Feature Type	Mounting Brackets
-------------------------------	-------------------

Dimensions

Product Width	45 mm[1.772 in]
Product Length	63 mm[2.48 in]
Product Height	40 mm[1.772 in]

Other

Contact Current Class	>50 A
Environmental Ambient Temperature Class	105 – 125 °C
Height Class (Mechanical)	40 – 50 mm
Length Class (Mechanical)	>60 mm
Width Class (Mechanical)	30 – 40 mm
EU RoHS Compliance	Compliant
EU ELV Compliance	Compliant

Usage Conditions

Environmental Category of Protection	RTI
Environmental Ambient Temperature (Max)	125 °C[257 °F]



Body Features

Product Weight	220 g[7.76 oz]
Enclosure Type	Dust Protected

Electrical Characteristics

Contact Switching Load (Min)	1000mA @ 5VDC
Contact Limiting Making Current	300 A
Coil Resistance	37 Ω
Contact Limiting Continuous Current	180 A
Contact Limiting Breaking Current	300 A
Insulation Initial Dielectric Between Open Contacts	1000 Vrms
Contact Current Rating	130 A
Coil Voltage Rating	12 VDC
Coil Power Rating DC	3.9 W
Insulation Initial Dielectric Between Contacts & Coil	1000 Vrms

Configuration Features

Coil Special Features	Resistor in Parallel
Contact Arrangement	1 Form A (NO)

Product Type Features

Relay & Contactor Type	High Current Relay
------------------------	--------------------

Operation/Application

Current Type	DC
Coil Magnetic System	Monostable

Product Compliance

[For compliance documentation, visit the product page on TE.com>](#)

EU RoHS Directive 2011/65/EU	Compliant
EU ELV Directive 2000/53/EC	Compliant
China RoHS 2 Directive MIIT Order No 32, 2016	No Restricted Materials Above Threshold
EU REACH Regulation (EC) No. 1907/2006	Current ECHA Candidate List: JUNE 2024 (241) Candidate List Declared Against: JUNE 2024 (241) Does not contain REACH SVHC
Halogen Content	Low Halogen - Br, Cl, F, I < 900 ppm per



homogenous material. Also BFR/CFR/PVC Free

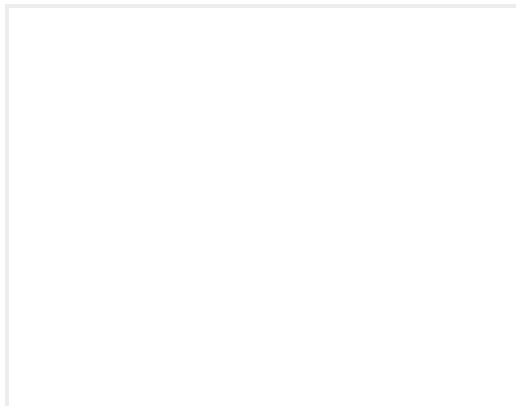
Solder Process Capability

Not applicable for solder process capability

Product Compliance Disclaimer

This information is provided based on reasonable inquiry of our suppliers and represents our current actual knowledge based on the information they provided. This information is subject to change. The part numbers that TE has identified as EU RoHS compliant have a maximum concentration of 0.1% by weight in homogenous materials for lead, hexavalent chromium, mercury, PBB, PBDE, DBP, BBP, DEHP, DIBP, and 0.01% for cadmium, or qualify for an exemption to these limits as defined in the Annexes of Directive 2011/65/EU (RoHS2). Finished electrical and electronic equipment products will be CE marked as required by Directive 2011/65/EU. Components may not be CE marked. Additionally, the part numbers that TE has identified as EU ELV compliant have a maximum concentration of 0.1% by weight in homogenous materials for lead, hexavalent chromium, and mercury, and 0.01% for cadmium, or qualify for an exemption to these limits as defined in the Annexes of Directive 2000/53/EC (ELV). Regarding the REACH Regulation, the information TE provides on SVHC in articles for this part number is based on the latest European Chemicals Agency (ECHA) 'Guidance on requirements for substances in articles' posted at this URL: <https://echa.europa.eu/guidance-documents/guidance-on-reach>

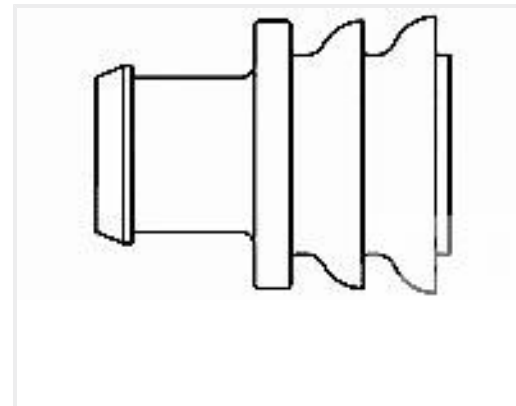
Compatible Parts



TE Part # 1-1393315-4
V23132M0000M000 HCR150 Samples



TE Part # 9-1415001-5
V23132E2001A200



TE Part # 281934-2
SINGLE WIRE SEAL



TE Part # 1-1414476-0
V23132A2001X023

Also in the Series | High Current Relay HCR 150



Automotive Relays(4)



DC Relays(4)

Customers Also Bought



TE Part #ASU003-03SB-HE
RECEIPT ASSY 2 HOLE MTG AS 3 WAY



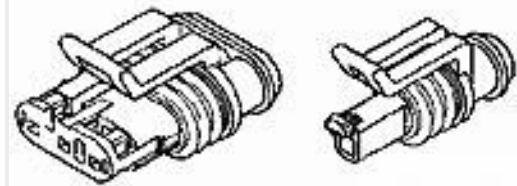
TE Part #2-1355200-1
MCP2,8BU-GEH ASSY2P



TE Part #2-2350891-1
20POS, HYBRID, PIN HSG ASSY, SLD,
COD A



TE Part #CAT-T4827-CH8172
Timer Connector Housing



TE Part #282080-1
AMP SUPERSEAL 1.5 SERIES 2P PL



TE Part #1544361-1
PC 2V 8 MM WP NG2



TE Part #5846496001
RNF-3000-R-6/2-0



TE Part #9-1415001-5
V23132E2001A200



TE Part #1544504-2
CLIP 6,3 SECU 1-3

Documents

Product Drawings

[V23132A2001A200=HCR](#)

English

CAD Files

Customer View Model

[ENG_CVM_CVM_1393315-2_B.2d_dxf.zip](#)

English

3D PDF

3D

Customer View Model

[ENG_CVM_CVM_1393315-2_B.3d_igs.zip](#)

English

Customer View Model

[ENG_CVM_CVM_1393315-2_B.3d_stp.zip](#)

English

By downloading the CAD file I accept and agree to the [Terms and Conditions](#) of use.

Datasheets & Catalog Pages



[Automotive Relay Application Notes](#)

English

[Product Specifications](#)

[Definitions General Purpose Relays](#)

English