



Power Relay F

TE Internal #: 1393304-9

Automotive Power Relay, DC, Monostable, 1 Form A (NO), 50 A
Contact Rating, 12 VDC Coil Voltage, 12 VDC Contact Voltage,
Power Relay F

[View on TE.com >](#)

Relays & Contactors > Electromechanical Relays



Relay & Contactor Type: **Automotive Power Relay**

Coil Magnetic System: **Monostable**

Contact Arrangement: **1 Form A (NO)**

Current Type: **DC**

Contact Current Rating: **50 A**

Features

Product Type Features

Relay & Contactor Type	Automotive Power Relay
------------------------	------------------------

Configuration Features

Contact Arrangement	1 Form A (NO)
---------------------	---------------

Electrical Characteristics

Contact Limiting Short-Time Current	240 A
Contact Limiting Making Current	240 A
Contact Limiting Continuous Current	60 A
Contact Limiting Breaking Current	70 A
Insulation Initial Dielectric Between Open Contacts	500 Vrms
Contact Switching Voltage (Max)	32 VDC
Contact Switching Load (Min)	1000mA @ 5VDC
Input Voltage	12 – 24 VDC
Coil Resistance	90 Ω
Contact Current Rating	50 A
Coil Voltage Rating	12 VDC
Contact Voltage Rating	12 VDC
Coil Power Rating DC	1.6 W
Insulation Initial Dielectric Between Contacts & Coil	500 Vrms



Body Features

Product Weight	38 g[1.3 oz]
Enclosure Type	Dust Protected

Contact Features

Contact Material	Silver Alloy
------------------	--------------

Termination Features

Main Termination & Connection Type	Quick Connect Terminals
Coil Termination & Connection Type	Quick Connect Terminals

Mechanical Attachment

Product Mounting Feature Type	Mounting Brackets
Product Mount Type	Socket Mount

Dimensions

Product Width	29.9 mm[1.18 in]
Product Length	25.9 mm[1.02 in]
Product Height	24.9 mm[.98 in]

Usage Conditions

Operating Temperature Range	-40 – 125 °C[-40 – 257 °F]
Environmental Category of Protection	RTI
Environmental Ambient Temperature (Max)	125 °C[257 °F]

Operation/Application

Coil Magnetic System	Monostable
Current Type	DC

Industry Standards

IP Rating	IP54
-----------	------

Other

Coil Power Rating Class	>1.5 – ≤3 W
Contact Current Class	>50 – ≤200 A
Height Class (Mechanical)	>22 – ≤27 mm[>.866 – ≤1.063 in]
Length Class (Mechanical)	>22 – ≤33 mm[>.866 – ≤1.299 in]
Width Class (Mechanical)	>22 – ≤33 mm[>.866 – ≤1.299 in]

Product Compliance



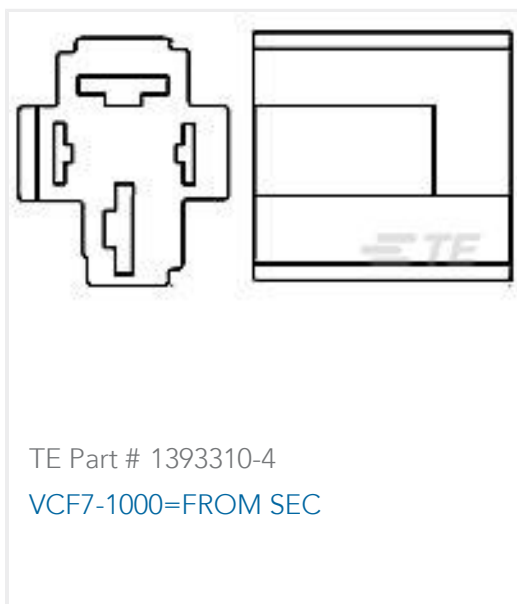
[For compliance documentation, visit the product page on TE.com>](#)

EU RoHS Directive 2011/65/EU	Compliant
EU ELV Directive 2000/53/EC	Compliant
China RoHS 2 Directive MIIT Order No 32, 2016	有害物质含量符合标准要求 No Restricted Substance(s) Above Threshold
EU REACH Regulation (EC) No. 1907/2006	Current ECHA Candidate List: JUNE 2025 (250) Candidate List Declared Against: JUNE 2025 (250) Does not contain REACH SVHC
Halogen Content	Low Halogen - Br, Cl, F < 900 ppm per homogenous material. Also BFR/CFR/PVC Free
Solder Process Capability	Not applicable for solder process capability

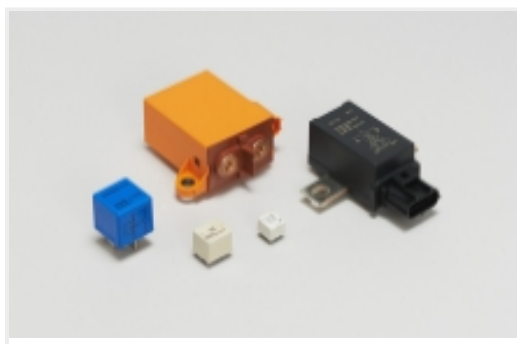
Product Compliance Disclaimer

This information is provided based on reasonable inquiry of our suppliers and represents our current actual knowledge based on the information they provided. This information is subject to change. The part numbers that TE has identified as EU RoHS compliant have a maximum concentration of 0.1% by weight in homogenous materials for lead, hexavalent chromium, mercury, PBB, PBDE, DBP, BBP, DEHP, DIBP, and 0.01% for cadmium, or qualify for an exemption to these limits as defined in the Annexes of Directive 2011/65/EU (RoHS2). Finished electrical and electronic equipment products will be CE marked as required by Directive 2011/65/EU. Components may not be CE marked. Additionally, the part numbers that TE has identified as EU ELV compliant have a maximum concentration of 0.1% by weight in homogenous materials for lead, hexavalent chromium, and mercury, and 0.01% for cadmium, or qualify for an exemption to these limits as defined in the Annexes of Directive 2000/53/EC (ELV). Regarding the REACH Regulation, the information TE provides on SVHC in articles for this part number is based on the latest European Chemicals Agency (ECHA) 'Guidance on requirements for substances in articles' posted at this URL: <https://echa.europa.eu/guidance-documents/guidance-on-reach>

Compatible Parts



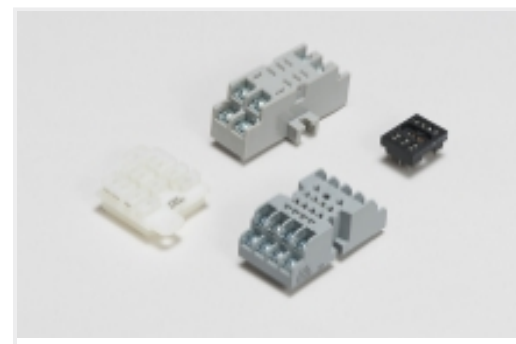
Also in the Series | [Power Relay F](#)



Automotive Relays(61)

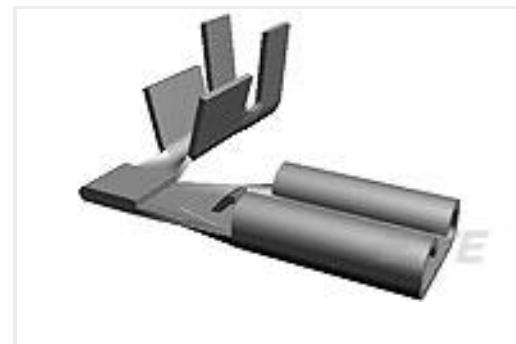
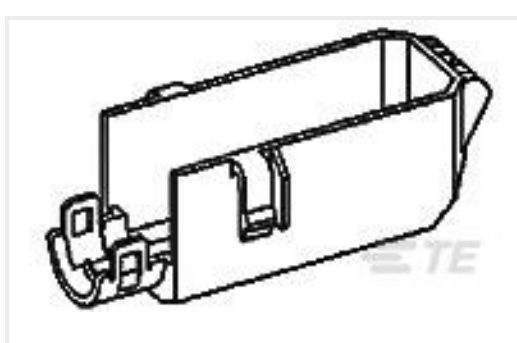


PCB Relays(7)



Relay Accessories(1)

Customers Also Bought

TE Part #816528-SF
RN143-2-02-10MTE Part #DRC10-40P
HDR, 40P, BLK, ST, SDR CUP, SN/NI /CUTE Part #61070-1
110 FASTON FLAG REC 22-18 AWG TPBRTE Part #6-1393302-0
V23134A1052X294-EV-CBOXTE Part #2-1879074-3
THS15 50R 5%TE Part #6-1879215-7
CPF 0402 22K6 0.1% 25PPM 1K RLTE Part #9-1904064-4
V23086-R1851-A502TE Part #967354-1
2,5MM BU-GEH KPL 9PTE Part #1123005-2
COVER FOR 2.5 SOCKET HSG 9PTE Part #1123006-2
2.5MM SOCKET HSG ASSY 9P

Documents

Product Drawings

[V23134J1052D642-EV-CBOX](#)

English

CAD Files

Customer View Model

[ENG_CVM_1393304-9_S00F.3d_igs.zip](#)

English

Customer View Model



[ENG_CVM_1393304-9_S00F.3d_stp.zip](#)

English

Customer View Model

[ENG_CVM_1393304-9_S00F.2d_dxf.zip](#)

English

3D PDF

English

By downloading the CAD file I accept and agree to the [Terms and Conditions](#) of use.

Datasheets & Catalog Pages

[Automotive Relay Application Notes](#)

English

[Power Relay F7, Maxi ISO, Plug-In](#)

English

Product Specifications

[Definitions General Purpose Relays](#)

English