

# W33-S1N1Q-15 ✓ ACTIVE

TE Internal #: 1393248-7

Thermal Circuit Breaker, Pole 1 - Switch Only, Pole 2 - Series Trip Overload Sensor, Black Actuator, 250 VAC, 50 VDC, 15 A, 2 Pole

[View on TE.com >](#)



Relays & Contactors > Circuit Breakers



Circuit Breaker Type: **Thermal**

Circuit Function: **Pole 1 - Switch Only, Pole 2 - Series Trip Overload Sensor**

Illuminated: **Without**

Actuator Color: **Black**

Operating Voltage: **250 VAC**

## Features

### Product Type Features

Circuit Breaker Style	Power Switch
Illumination Type	No Light
Actuator Type	Rocker
Circuit Breaker Type	Thermal
Illuminated	Without

### Configuration Features

Panel Cutout Size	22.22 x 44.45 mm
Circuit Function	Pole 1 - Switch Only, Pole 2 - Series Trip Overload Sensor
Number of Poles	2

### Electrical Characteristics

Operating Voltage	50 VDC
Current Rating	15 A
Interrupt Capacity	1000A @ 50VDC/250VAC or 1500A @ 125 /250VAC

### Body Features

Actuator Color	Black
----------------	-------

### Contact Features

Trip Time at 200%	3 – 33 seconds
-------------------	----------------

### Termination Features



Terminal Configuration	6.35 [.25] Straight Quick Connect Tab
------------------------	---------------------------------------

**Mechanical Attachment**

Mounting Options	Snap-In Panel Mount
------------------	---------------------

**Dimensions**

Panel Thickness (Recommended)	.81 – 6.35 mm [.032 – .25 in]
-------------------------------	-------------------------------

**Identification Marking**

Stamped Marking Type	International I/O
----------------------	-------------------

**Product Compliance**

For compliance documentation, visit the product page on TE.com>

EU RoHS Directive 2011/65/EU	Compliant with Exemptions
------------------------------	---------------------------

EU ELV Directive 2000/53/EC	Not Yet Reviewed
-----------------------------	------------------

China RoHS 2 Directive MIIT Order No 32, 2016	有害物质含量超出标准 Restricted Substance(s) Above Threshold
---	--

EU REACH Regulation (EC) No. 1907/2006	<p>Current ECHA Candidate List: JUNE 2025 (250)</p> <p>Candidate List Declared Against: JUNE 2025 (250)</p> <p>SVHC &gt; Threshold:</p> <p>Pb (3.32% in 20855730462)</p> <p>Cadmium oxide (10% in 17874790769)</p> <p><b>Article Safe Usage Statements:</b>                      Use personal protective equipment as required. Do not eat, drink or smoke when using this product. Wash thoroughly after handling. Recycle if possible and dispose of the article by following all applicable governmental regulations relevant to your geographic location.</p>
--	---

Halogen Content	Not Low Halogen - contains Br or Cl > 900 ppm.
-----------------	--

Solder Process Capability	Not applicable for solder process capability
---------------------------	--

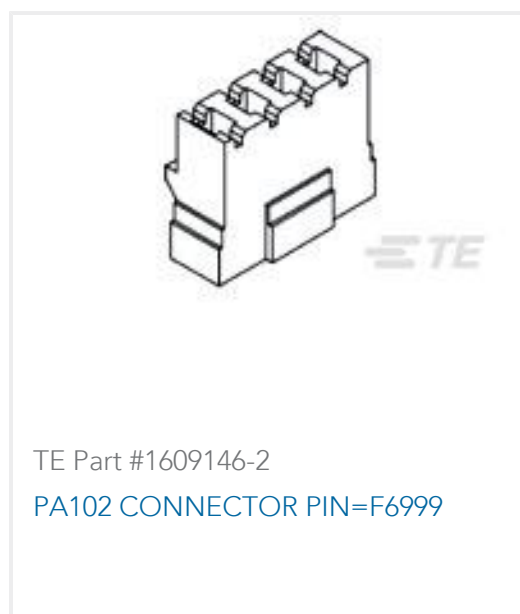
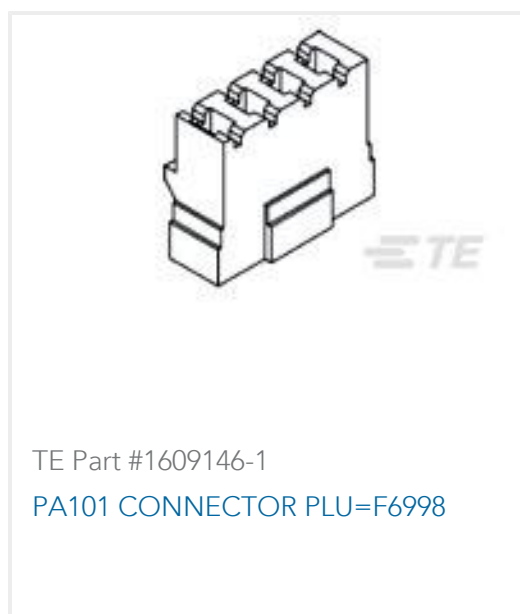
Product Compliance Disclaimer

This information is provided based on reasonable inquiry of our suppliers and represents our current actual knowledge based on the information they provided. This information is subject to change. The part numbers that TE has identified as EU RoHS compliant have a maximum concentration of 0.1% by weight in homogenous materials for lead, hexavalent chromium, mercury, PBB, PBDE, DBP, BBP, DEHP, DIBP, and 0.01% for cadmium, or qualify for an exemption to these limits as defined in the Annexes of Directive 2011/65/EU (RoHS2). Finished electrical and electronic equipment products will be CE marked as required by Directive 2011/65/EU. Components may not be CE marked. Additionally, the part numbers that TE has identified as EU ELV compliant have a maximum concentration of 0.1% by weight in homogenous materials for lead, hexavalent chromium, and mercury, and 0.01% for cadmium, or qualify for an exemption to these limits as defined in the Annexes of Directive 2000/53/EC (ELV). Regarding the REACH Regulation, the information TE provides on SVHC in articles for this part number is based on the latest European Chemicals Agency (ECHA) 'Guidance on requirements for substances in articles' posted at this URL: <https://echa.europa.eu/guidance-documents/guidance-on-reach>

**Compatible Parts**



### Customers Also Bought



### Documents



### CAD Files

#### 3D PDF

3D

#### Customer View Model

[ENG\\_CVM\\_CVM\\_1393248-7\\_B.2d\\_dxf.zip](#)

English

#### Customer View Model

[ENG\\_CVM\\_CVM\\_1393248-7\\_B.3d\\_igs.zip](#)

English

#### Customer View Model

[ENG\\_CVM\\_CVM\\_1393248-7\\_B.3d\\_stp.zip](#)

English

By downloading the CAD file I accept and agree to the [Terms and Conditions](#) of use.

### Datasheets & Catalog Pages

#### W33 Series

English

[W33 One- and Two-Pole, Switchable Thermal Circuit Breaker / Power Switch With Optional Indicator Lamp](#)

English