

1393230-4 ✓ ACTIVE

SCHRACK

TE Internal #: 1393230-4

General Purpose Power Relay, Bistable, 1 Coil, 1 Form A SPST-NO,
16 A Contact Rating, 24 VDC Coil Voltage, 250 VAC Contact
Voltage, 1.25 W Coil Power

[View on TE.com >](#)



Relays & Contactors > Electromechanical Relays



Relay & Contactor Type: **General Purpose Power Relay**

Coil Magnetic System: **Bistable, 1 Coil**

Contact Arrangement: **1 Form A SPST-NO**

Contact Current Rating: **16 A**

Coil Voltage Rating: **24 VDC**

Features

Contact Features

Contact Material	AgSnO
------------------	-------

Body Features

Product Weight	18 g[.035 oz]
----------------	---------------

Dimensions

Product Width	12.6 mm[.496 in]
Product Length	29 mm[1.14 in]
Product Height	25.5 mm[1 in]

Packaging Features

Packaging Method	Tube, Box & Tube
------------------	------------------

Other

Contact Current Class	10 – 20 A
Coil Power Rating Class	1 – 1.5 W
EU RoHS Compliance	Compliant
EU ELV Compliance	Compliant

Electrical Characteristics

Coil Resistance	460 Ω
Contact Switching Voltage (Max)	400 VAC
Contact Current Rating	16 A



Coil Voltage Rating	24 VDC
---------------------	--------

Contact Voltage Rating	250 VAC
------------------------	---------

Coil Power Rating DC	1.25 W
----------------------	--------

Configuration Features

Contact Number of Poles	1
-------------------------	---

Contact Arrangement	1 Form A SPST-NO
---------------------	------------------

Operation/Application

Solder Process	Wave Solder
----------------	-------------

Coil Magnetic System	Bistable, 1 Coil
----------------------	------------------

Product Type Features

Relay & Contactor Type	General Purpose Power Relay
------------------------	-----------------------------

Termination Features

Main Termination & Connection Type	Solder Pins
------------------------------------	-------------

Coil Termination & Connection Type	Solder Pins
------------------------------------	-------------

Mechanical Attachment

Product Mount Type	Board Mount
--------------------	-------------

Product Compliance

[For compliance documentation, visit the product page on TE.com>](#)

EU RoHS Directive 2011/65/EU	Compliant
------------------------------	-----------

EU ELV Directive 2000/53/EC	Compliant
-----------------------------	-----------

China RoHS 2 Directive MIIT Order No 32, 2016	No Restricted Materials Above Threshold
---	---

EU REACH Regulation (EC) No. 1907/2006	<p>Current ECHA Candidate List: JUNE 2024 (241)</p> <p>Candidate List Declared Against: JUNE 2024 (241)</p> <p>SVHC > Threshold:</p> <p>Methanone, (diphenylphosphinyl)(2,4,6-trimethylphenyl)- (2% in Component Part)</p>
--	---

Article Safe Usage Statements:

Wash thoroughly after handling. Do not handle until all safety precautions have been read and understood. Recycle if possible and dispose of the article by following all applicable governmental regulations relevant to your geographic location.

Halogen Content	Not Low Halogen - contains Br or Cl > 900 ppm.
-----------------	--

Solder Process Capability	Wave solder capable to 265°C
---------------------------	------------------------------

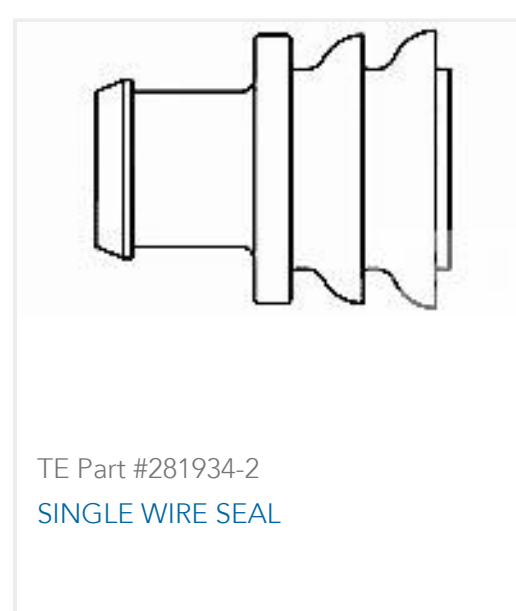
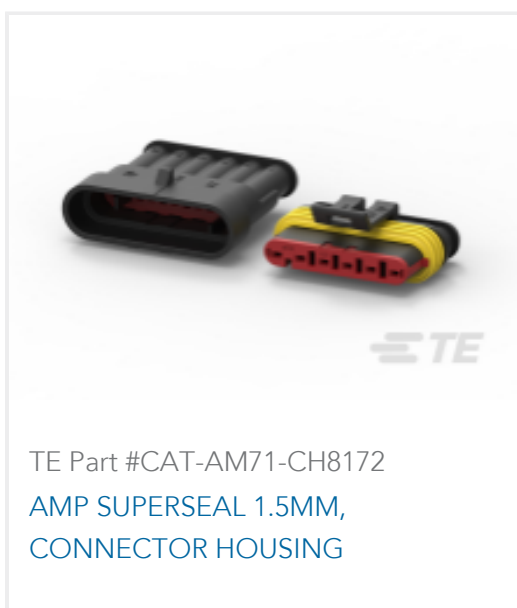
Product Compliance Disclaimer

This information is provided based on reasonable inquiry of our suppliers and represents our current actual knowledge based on the information they provided. This information is subject to change. The part numbers that TE has identified as EU RoHS compliant have a maximum concentration of 0.1% by weight in homogenous materials for lead, hexavalent chromium, mercury, PBB, PBDE, DBP, BBP, DEHP, DIBP, and 0.01% for cadmium, or qualify for an exemption to these limits as defined in the Annexes of Directive 2011/65/EU (RoHS2). Finished electrical and electronic equipment products will be CE marked as required by Directive 2011/65/EU. Components may not be CE marked. Additionally, the part numbers that TE has identified as EU ELV compliant have a maximum concentration of 0.1% by weight in homogenous materials for lead, hexavalent chromium, and mercury, and 0.01% for cadmium, or qualify for an exemption to these limits as defined in the Annexes of Directive 2000/53/EC (ELV). Regarding the REACH Regulation, the information TE provides on SVHC in articles for this part number is based on the latest European Chemicals Agency (ECHA) 'Guidance on requirements for substances in articles' posted at this URL: <https://echa.europa.eu/guidance-documents/guidance-on-reach>

Compatible Parts



Customers Also Bought



Documents

[CAD Files](#)
[3D PDF](#)
[3D](#)
[Customer View Model](#)



[ENG_CVM_CVM_1393230-4_A.2d_dxf.zip](#)

English

Customer View Model

[ENG_CVM_CVM_1393230-4_A.3d_igs.zip](#)

English

Customer View Model

[ENG_CVM_CVM_1393230-4_A.3d_stp.zip](#)

English

By downloading the CAD file I accept and agree to the [Terms and Conditions](#) of use.

Datasheets & Catalog Pages

[Special Load PCB Relay RP3SL](#)

English

Product Specifications

[Definitions General Purpose Relays](#)

English

Agency Approvals

[UL](#)

English