

1393204-7 ✓ ACTIVE

SCHRACK | SCHRACK V23148

TE Internal #: 1393204-7

General Purpose Power Relay, Bistable, 1 Coil, 1 Form C SPDT-CO,
7 A Contact Rating, 12 VDC Coil Voltage, 250 VAC Contact
Voltage, SCHRACK V23148

[View on TE.com >](#)



Relays & Contactors > Electromechanical Relays



Relay & Contactor Type: **General Purpose Power Relay**

Coil Magnetic System: **Bistable, 1 Coil**

Contact Arrangement: **1 Form C SPDT-CO**

Contact Current Rating: **7 A**

Coil Voltage Rating: **12 VDC**

Features

Contact Features

Contact Material	AgNi90/10
------------------	-----------

Dimensions

Insulation Clearance Between Contact & Coil	2.5 mm[.098 in]
Insulation Creepage Between Contact & Coil	2.5 mm[.098 in]
Product Width	16.2 mm[.637 in]
Product Length	21.2 mm[.834 in]
Product Height	14.9 mm[.586 in]

Packaging Features

Packaging Method	Carton
------------------	--------

Other

Coil Power Rating Class	1 – 1.5 W
Contact Current Class	5 – 10 A
Height Class (Mechanical)	14 – 15 mm
Length Class (Mechanical)	20 – 25 mm
Width Class (Mechanical)	16 – 20 mm
EU RoHS Compliance	Compliant
EU ELV Compliance	Compliant

Usage Conditions



Operating Temperature Range	-25 – 70 °C[-13 – 158 °F]
Environmental Category of Protection	RTIII
Environmental Ambient Temperature (Max)	70 °C[158 °F]

Body Features

Product Weight	9 g[.317 oz]
Enclosure Type	Flux Resistant Automatic Soldering & Washable

Electrical Characteristics

Contact Limiting Making Current	12 A
Contact Limiting Continuous Current	7 A
Insulation Initial Dielectric Between Open Contacts	1000 Vrms
Contact Switching Voltage (Max)	400 VAC
Coil Resistance	119 Ω
Contact Current Rating	7 A
Coil Voltage Rating	12 VDC
Contact Voltage Rating	250 VAC
Coil Power Rating DC	1.21 W
Insulation Initial Dielectric Between Contacts & Coil	2000 Vrms

Configuration Features

Contact Number of Poles	1
Contact Arrangement	1 Form C SPDT-CO

Operation/Application

Solder Process	Wave Solder
Coil Magnetic System	Bistable, 1 Coil

Product Type Features

Relay & Contactor Type	General Purpose Power Relay
------------------------	-----------------------------

Termination Features

Main Termination & Connection Type	Solder Pins
Coil Termination & Connection Type	Solder Pins

Mechanical Attachment

Product Mount Type	Board Mount
--------------------	-------------



Product Compliance

[For compliance documentation, visit the product page on TE.com>](#)

EU RoHS Directive 2011/65/EU	Compliant
EU ELV Directive 2000/53/EC	Compliant
China RoHS 2 Directive MIIT Order No 32, 2016	No Restricted Materials Above Threshold
EU REACH Regulation (EC) No. 1907/2006	Current ECHA Candidate List: JUNE 2024 (241) Candidate List Declared Against: JUNE 2024 (241) Does not contain REACH SVHC
Halogen Content	Low Halogen - Br, Cl, F, I < 900 ppm per homogenous material. Also BFR/CFR/PVC Free
Solder Process Capability	Wave solder capable to 260°C

Product Compliance Disclaimer

This information is provided based on reasonable inquiry of our suppliers and represents our current actual knowledge based on the information they provided. This information is subject to change. The part numbers that TE has identified as EU RoHS compliant have a maximum concentration of 0.1% by weight in homogenous materials for lead, hexavalent chromium, mercury, PBB, PBDE, DBP, BBP, DEHP, DIBP, and 0.01% for cadmium, or qualify for an exemption to these limits as defined in the Annexes of Directive 2011/65/EU (RoHS2). Finished electrical and electronic equipment products will be CE marked as required by Directive 2011/65/EU. Components may not be CE marked. Additionally, the part numbers that TE has identified as EU ELV compliant have a maximum concentration of 0.1% by weight in homogenous materials for lead, hexavalent chromium, and mercury, and 0.01% for cadmium, or qualify for an exemption to these limits as defined in the Annexes of Directive 2000/53/EC (ELV). Regarding the REACH Regulation, the information TE provides on SVHC in articles for this part number is based on the latest European Chemicals Agency (ECHA) 'Guidance on requirements for substances in articles' posted at this URL: <https://echa.europa.eu/guidance-documents/guidance-on-reach>

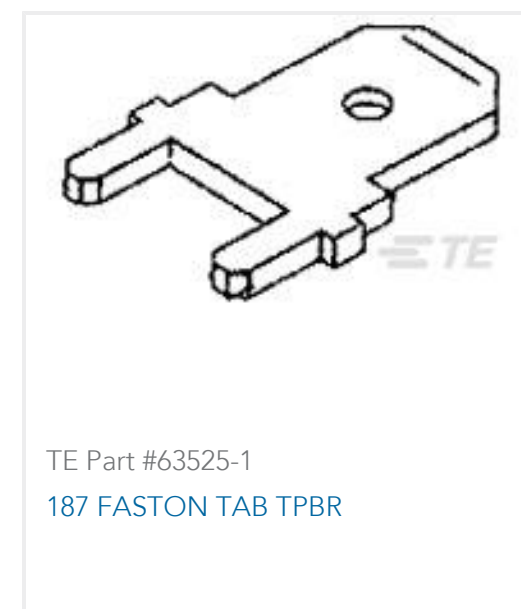
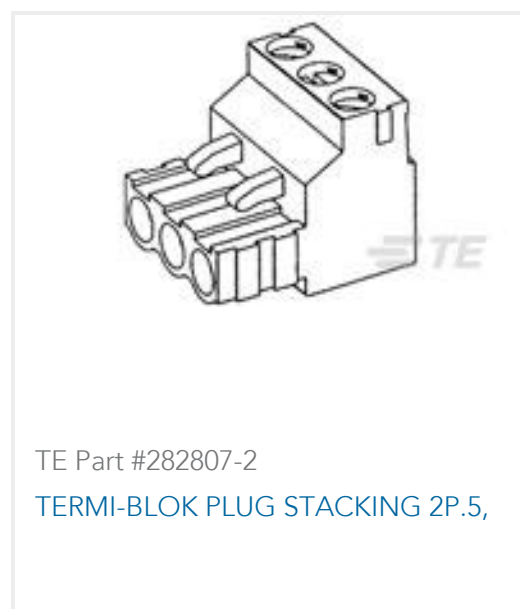
Compatible Parts

TE Part # 1-1393204-5 V23148-B1001-A101	TE Part # 1-1393204-4 V23148-B0010-A101	 TE Part # 1393204-8 V23148-B0005-B101	TE Part # 1393204-1 V23148-B0001-A101
--	--	---	--

Also in the Series | **SCHRACK V23148**



Customers Also Bought



Documents

[CAD Files](#)

[3D PDF](#)

[3D](#)

[Customer View Model](#)

[ENG_CVM_CVM_1393204-7_A.2d_dxf.zip](#)

[English](#)

[Customer View Model](#)

[ENG_CVM_CVM_1393204-7_A.3d_igs.zip](#)



English

Customer View Model

[ENG_CVM_CVM_1393204-7_A.3d_stp.zip](#)

English

By downloading the CAD file I accept and agree to the [Terms and Conditions](#) of use.

Datasheets & Catalog Pages

[Power PCB Relay U/UB](#)

English

Product Specifications

[Definitions General Purpose Relays](#)

English