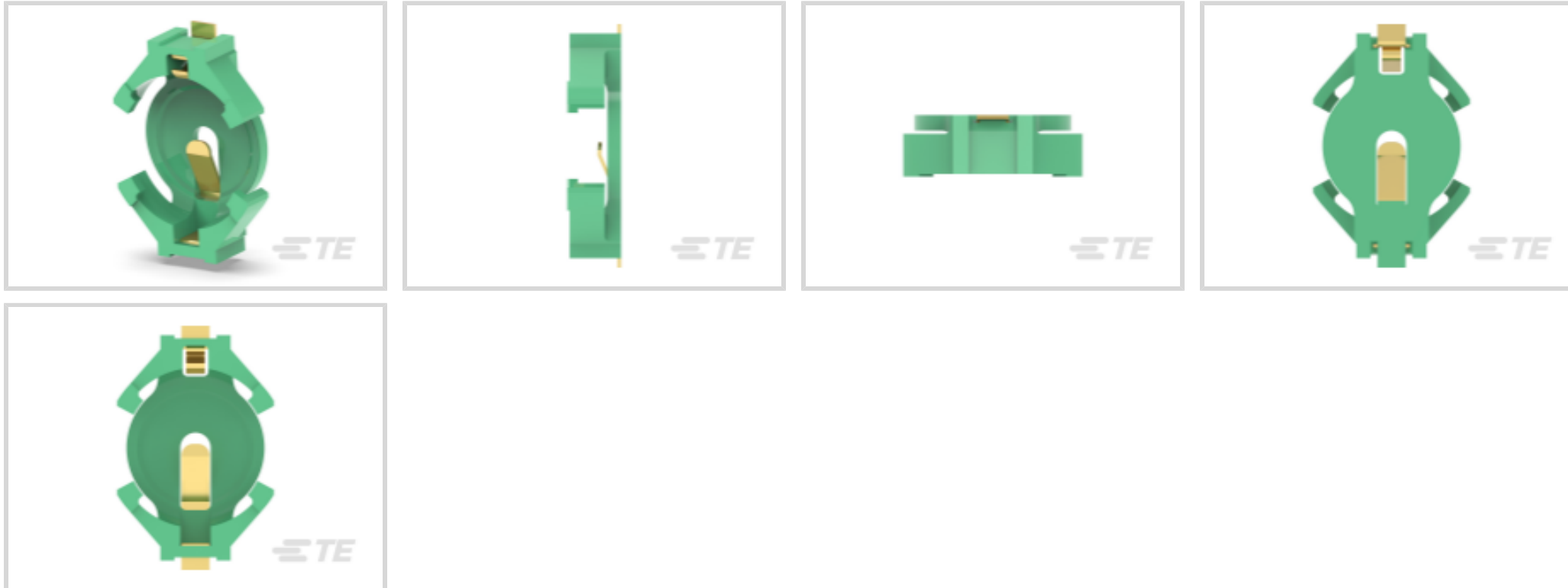




Connectors > PCB Connectors > Battery Connectors & Holders > Battery Holders



Battery Compatibility: **ML614**

Number of Positions: **2**

PCB Mount Orientation: **Horizontal**

Contact Mating Area Plating Material: **Gold**

PCB Mount Alignment: **Without**

Features

Dimensions

Compatible Battery Dimensions	6.7 x 10.6 mm [.264 x .417 in]
-------------------------------	--------------------------------

Packaging Features

Packaging Method	Tape & Reel
Packaging Quantity	1500

Product Type Features

Connector & Contact Terminates To	Printed Circuit Board
Connector System	Board-to-Board

Mechanical Attachment

Connector Mounting Type	Board Mount
PCB Mount Alignment	Without

Contact Features

Contact Underplating Material	Nickel
Contact Mating Area Plating Material	Gold
Contact Current Rating (Max)	7 A

Body Features



Primary Product Color	Black
Battery Weight	.07 g
Battery Holder Type	Coin Cell
Battery Holder Material	Thermoplastic (6T Nylon)
Battery Compatibility	ML614

Configuration Features

Number of Positions	2
PCB Mount Orientation	Horizontal

Usage Conditions

Operating Temperature Range	-40 – 85 °C [-40 – 185 °F]
-----------------------------	----------------------------

Operation/Application

Circuit Application	Signal
---------------------	--------

Other

EU RoHS Compliance	Compliant
EU ELV Compliance	Compliant

Product Compliance

[For compliance documentation, visit the product page on TE.com>](#)

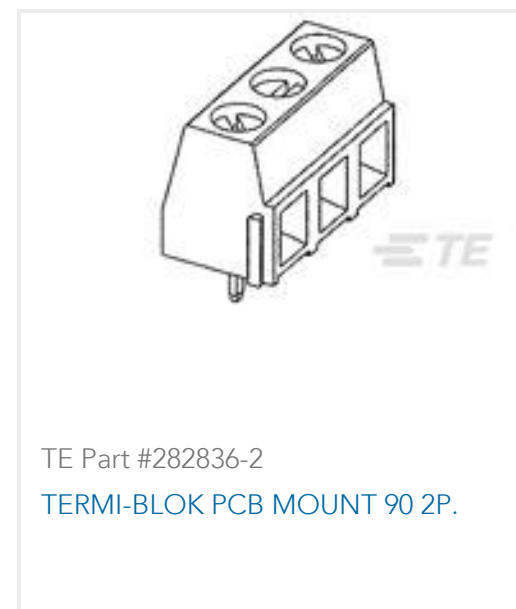
EU RoHS Directive 2011/65/EU	Compliant
EU ELV Directive 2000/53/EC	Compliant
China RoHS 2 Directive MIIT Order No 32, 2016	No Restricted Materials Above Threshold
EU REACH Regulation (EC) No. 1907/2006	Current ECHA Candidate List: JUNE 2024 (241) Candidate List Declared Against: JUNE 2024 (241) Does not contain REACH SVHC
Halogen Content	Not Low Halogen - contains Br or Cl > 900 ppm.
Solder Process Capability	Reflow solder capable to 245°C

Product Compliance Disclaimer

This information is provided based on reasonable inquiry of our suppliers and represents our current actual knowledge based on the information they provided. This information is subject to change. The part numbers that TE has identified as EU RoHS compliant have a maximum concentration of 0.1% by weight in homogenous materials for lead, hexavalent chromium, mercury, PBB, PBDE, DBP, BBP, DEHP, DIBP, and 0.01% for cadmium, or qualify for an exemption to these limits as defined in the Annexes of Directive 2011/65/EU (RoHS2). Finished electrical and electronic equipment products will be CE marked as required by Directive 2011/65/EU. Components may not be CE marked. Additionally, the part

numbers that TE has identified as EU ELV compliant have a maximum concentration of 0.1% by weight in homogenous materials for lead, hexavalent chromium, and mercury, and 0.01% for cadmium, or qualify for an exemption to these limits as defined in the Annexes of Directive 2000/53/EC (ELV). Regarding the REACH Regulation, the information TE provides on SVHC in articles for this part number is based on the latest European Chemicals Agency (ECHA) 'Guidance on requirements for substances in articles' posted at this URL: <https://echa.europa.eu/guidance-documents/guidance-on-reach>

Customers Also Bought



Documents

Product Drawings

[BATTERY HOLDER ASSY FOR ML614](#)

English

CAD Files

[3D PDF](#)

[3D](#)

[Customer View Model](#)

[ENG_CVM_CVM_1318164-1_O.2d_dxf.zip](#)

English

[Customer View Model](#)

[ENG_CVM_CVM_1318164-1_O.3d_igs.zip](#)



English

Customer View Model

[ENG_CVM_CVM_1318164-1_O.3d_stp.zip](#)

English

By downloading the CAD file I accept and agree to the [Terms and Conditions](#) of use.

Product Specifications

[Battery Holder 614](#)

Japanese

[Product Specification](#)

English

[Battery Holder 614](#)

English

[Product Specification](#)

English