

SOLISTRAND

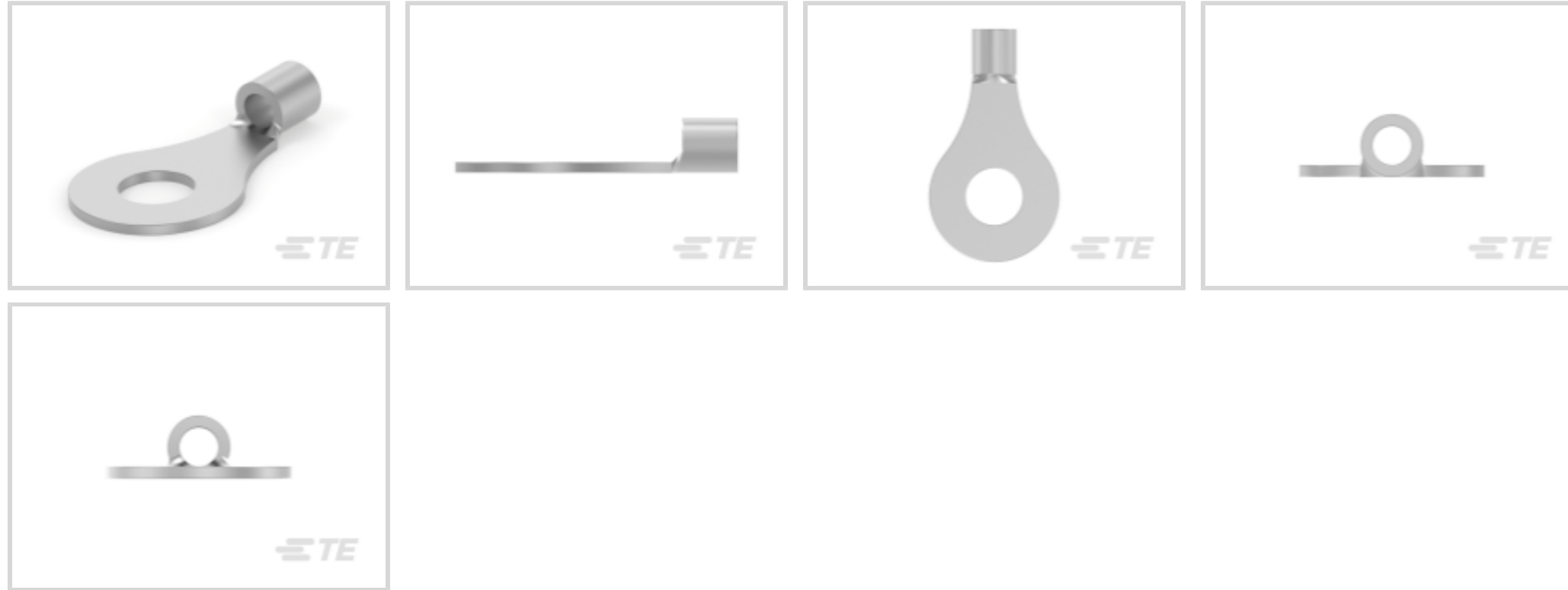
TE Internal #: 130128

Closed Ring Tongue Terminal, 16 – 14 AWG, M5 Stud, 5.21 mm [.205 in] Stud Diameter, Closed Barrel, Straight, Tin Plating, Uninsulated

[View on TE.com >](#)



Terminals & Splices > Ring Terminals



Ring Terminal Product Type: **Closed Ring Tongue Terminal**

Wire Size: **1579 – 3947 CMA**

Stud Size: **M5**

Features

Mechanical Attachment

Wire Insulation Support	Without
-------------------------	---------

Industry Standards

Government Qualified Terminal	No
-------------------------------	----

Packaging Features

Packaging Quantity	1000
Packaging Method	Loose Piece

Product Type Features

Ring Terminal Product Type	Closed Ring Tongue Terminal
Stud Size	M5
Sealable	No
Wire Insulation Support Retention Type	Non-Insulation Support

Contact Features

Barrel Type	Closed
Terminal Orientation	Straight
Terminal Plating Material	Tin

Dimensions

Wire Size	1579 – 3947 CMA
Stud Diameter	5.21 mm [.205 in]
Tongue Thickness	.79 mm [.031 in]
Product Length	21.84 mm [.86 in]
Barrel Inside Diameter	2.15 mm [.085 in]

Usage Conditions

Insulation Option	Uninsulated
-------------------	-------------

Operation/Application

Compatible With Wire Base Material	Copper
Compatible With Wire Plating Material	Tin

Other

EU RoHS Compliance	Compliant
EU ELV Compliance	Compliant

Product Compliance

[For compliance documentation, visit the product page on TE.com>](#)

EU RoHS Directive 2011/65/EU	Compliant
EU ELV Directive 2000/53/EC	Compliant
China RoHS 2 Directive MIIT Order No 32, 2016	No Restricted Materials Above Threshold
EU REACH Regulation (EC) No. 1907/2006	Current ECHA Candidate List: JUNE 2024 (241) Candidate List Declared Against: JUNE 2024 (241) Does not contain REACH SVHC
Halogen Content	Low Halogen - Br, Cl, F, I < 900 ppm per homogenous material. Also BFR/CFR/PVC Free
Solder Process Capability	Not applicable for solder process capability

Product Compliance Disclaimer

This information is provided based on reasonable inquiry of our suppliers and represents our current actual knowledge based on the information they provided. This information is subject to change. The part numbers that TE has identified as EU RoHS compliant have a maximum concentration of 0.1% by weight in homogenous materials for lead, hexavalent chromium, mercury, PBB, PBDE, DBP, BBP, DEHP, DIBP, and 0.01% for cadmium, or qualify for an exemption to these limits as defined in the Annexes of Directive 2011/65/EU (RoHS2). Finished electrical and electronic equipment products will be CE marked as required by Directive 2011/65/EU. Components may not be CE marked. Additionally, the part numbers that TE has identified as EU ELV compliant have a maximum concentration of 0.1% by weight in homogenous materials for lead, hexavalent chromium, and mercury, and 0.01% for cadmium, or qualify for an exemption to these limits

as defined in the Annexes of Directive 2000/53/EC (ELV). Regarding the REACH Regulation, the information TE provides on SVHC in articles for this part number is based on the latest European Chemicals Agency (ECHA) 'Guidance on requirements for substances in articles' posted at this URL: <https://echa.europa.eu/guidance-documents/guidance-on-reach>

Compatible Parts



TE Part # 169400
CERTI-LOK FRAME W/O DIES



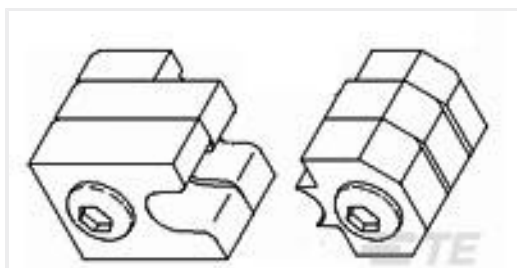
TE Part # 58545-1
SOLISTRAND 10-22 DIE ASSY



TE Part # 160012
BUDG 16-14HD R 5MM



TE Part # 49935
DAHT SOLIS 22-10 ASSY



TE Part # 47813
DIES SOLIS 16-14 DIE SET

Customers Also Bought



TE Part #208489-1
CMC RECEPTACLE ASSY, SIZE 22



TE Part #201568-1
CONTACT SOCKET ASSY.



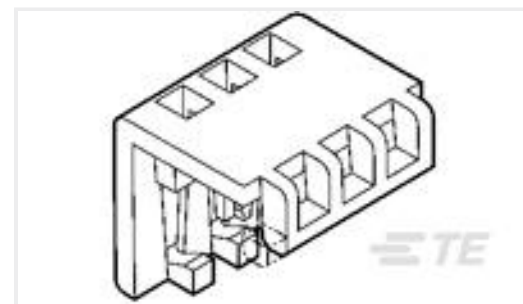
TE Part #208718-1
CMC PLUG ASSEMBLY, SZ 14-5



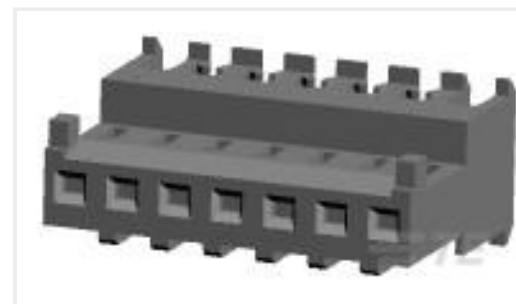
TE Part #350551-7
UMNL SOK 20-14 AU/BR L/P



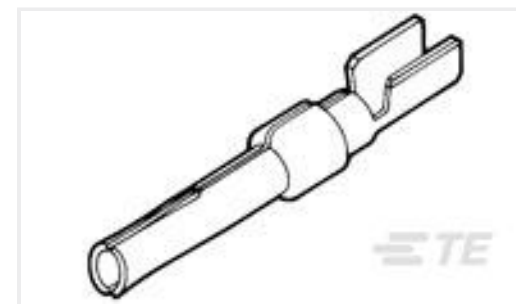
TE Part #326882
TERMINAL, PIDG R 16-14 6



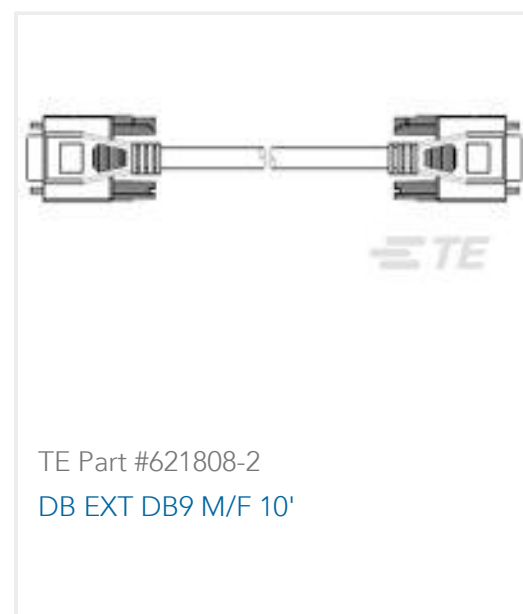
TE Part #643075-7
07P MTA100 MOLDED COVER



TE Part #3-644540-7
07P MTA100 CONN ASSY F/T POL



TE Part #745230-7
20 DF SOCKET CONT L.P.



Documents

Product Drawings

SOLIS R 16-14 M5

English

CAD Files

Customer View Model

ENG_CVM_CVM_130128_D.2d_dxf.zip

English

3D PDF

3D

Customer View Model

ENG_CVM_CVM_130128_D.3d_igs.zip

English

Customer View Model

ENG_CVM_CVM_130128_D.3d_stp.zip

English

By downloading the CAD file I accept and agree to the [Terms and Conditions](#) of use.

Instruction Sheets

Instruction Sheet (U.S.)

English

Agency Approvals

UL Report

English