

Product Compliance

[For compliance documentation, visit the product page on TE.com>](#)

EU RoHS Directive 2011/65/EU	Compliant
EU ELV Directive 2000/53/EC	Compliant
China RoHS 2 Directive MIIT Order No 32, 2016	No Restricted Materials Above Threshold
EU REACH Regulation (EC) No. 1907/2006	Current ECHA Candidate List: JUNE 2024 (241) Candidate List Declared Against: JUNE 2024 (241) Does not contain REACH SVHC
Halogen Content	Low Halogen - Br, Cl, F, I < 900 ppm per homogenous material. Also BFR/CFR/PVC Free
Solder Process Capability	Not reviewed for solder process capability

Product Compliance Disclaimer

This information is provided based on reasonable inquiry of our suppliers and represents our current actual knowledge based on the information they provided. This information is subject to change. The part numbers that TE has identified as EU RoHS compliant have a maximum concentration of 0.1% by weight in homogenous materials for lead, hexavalent chromium, mercury, PBB, PBDE, DBP, BBP, DEHP, DIBP, and 0.01% for cadmium, or qualify for an exemption to these limits as defined in the Annexes of Directive 2011/65/EU (RoHS2). Finished electrical and electronic equipment products will be CE marked as required by Directive 2011/65/EU. Components may not be CE marked. Additionally, the part numbers that TE has identified as EU ELV compliant have a maximum concentration of 0.1% by weight in homogenous materials for lead, hexavalent chromium, and mercury, and 0.01% for cadmium, or qualify for an exemption to these limits as defined in the Annexes of Directive 2000/53/EC (ELV). Regarding the REACH Regulation, the information TE provides on SVHC in articles for this part number is based on the latest European Chemicals Agency (ECHA) 'Guidance on requirements for substances in articles' posted at this URL: <https://echa.europa.eu/guidance-documents/guidance-on-reach>

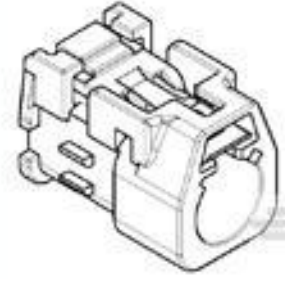
Compatible Parts



TE Part # 5-1924856-1
Plug HOUSING, 2 POSN, FAKRA, Key A, clp



TE Part # 1438887-2
JACK HOUSING, 1 POSITION, 180 DEGREE, FA



TE Part # 2138495-4
PLUG HOUSING, 1 POSITION, FAKRA, Key D



TE Part # 1-1438893-2
PLUG HOUSING, 1 POSITION, 180 DEGREE, FA



TE Part # 1924856-3
Plug HOUSING, 2 POSN, FAKRA, Key C



TE Part # 2138711-1
JACK HOUSING, 1 POSITION, 180 DEGREE, FA



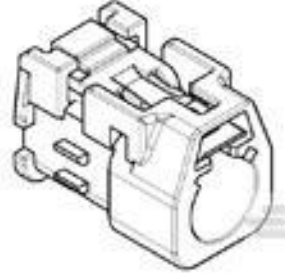
TE Part # 2138495-1
PLUG HOUSING, 1 POSITION, FAKRA, Key A



TE Part # 6-1924856-0
Plug HOUSING, 2 POSN, FAKRA, Key K, clp



TE Part # 1438887-3
JACK HOUSING, 1 POSITION, 180 DEGREE, FA



TE Part # 1-2138495-0
PLUG HOUSING, 1 POSITION, FAKRA, Key K



TE Part # 2-2138495-1
PLUG HOUSING, 1 POSITION, FAKRA, KEY Z



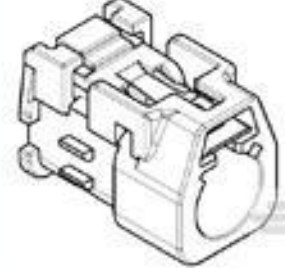
TE Part # 5-1924855-4
JACK HOUSING, 2 POSN, FAKRA, Key D,CpSlT



TE Part # 5-1924855-3
JACK HOUSING, 2 POSN, FAKRA, Key C,CpSlT



TE Part # 2138710-2
PLUG HOUSING, 1 POSITION, 180 DEGREE, FA



TE Part # 2138495-3
PLUG HOUSING, 1 POSITION, FAKRA, Key C



TE Part # 1924856-4
Plug HOUSING, 2 POSN, FAKRA, Key D



TE Part # 1924856-2
Plug HOUSING, 2 POSN, FAKRA, Key B



TE Part # 5-1924856-3
Plug HOUSING, 2 POSN, FAKRA, Key C, clp

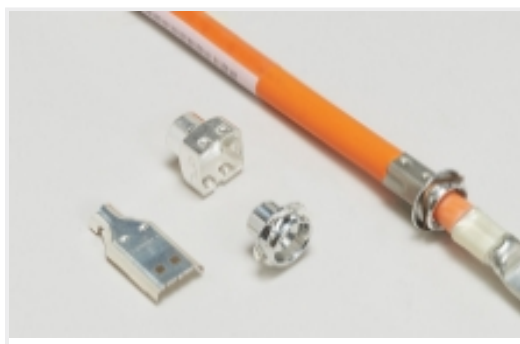


TE Part # 7-1924855-1
JACK HOUSING, 2 POSN, FAKRA, Key A,Power

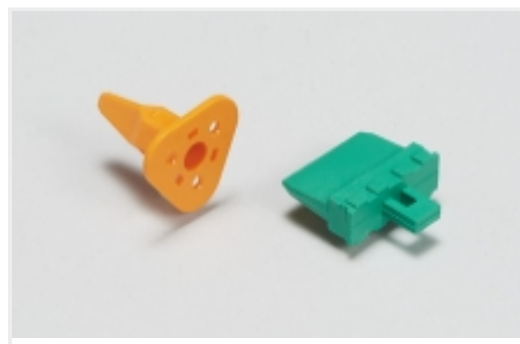


TE Part # 1438887-5
JACK HOUSING, 1 POSITION, 180 DEGREE, FA

Also in the Series | **FAKRA RF Connector System**



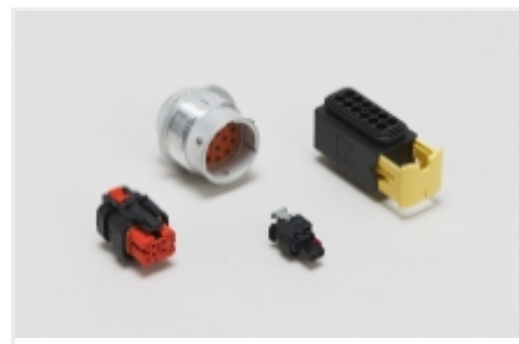
Automotive Connector EMC Shielding (3)



Automotive Connector Locks & Position Assurance(8)



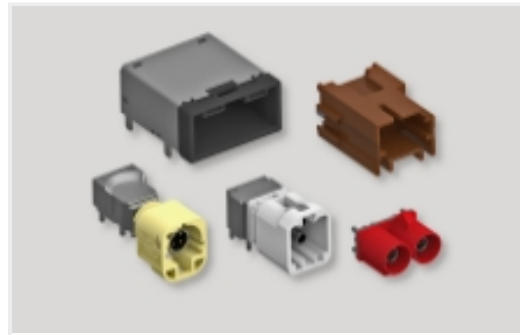
Automotive Headers(1)



Automotive Housings(2)



Coax Connectors(1)



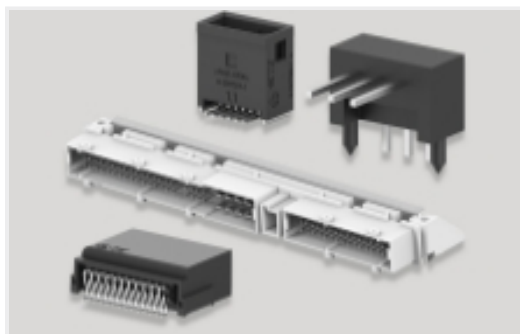
Data Connectivity Headers(361)



Infotainment & Multimedia Cable Assemblies(1)

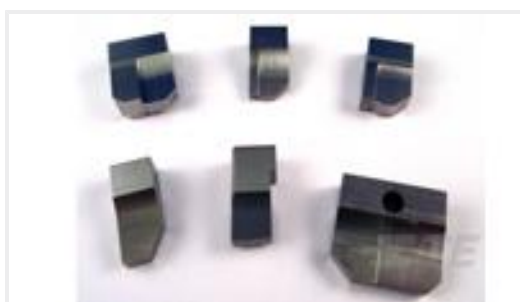


Other Automotive Connector Accessories(26)



PCB Headers & Receptacles(1)

Customers Also Bought



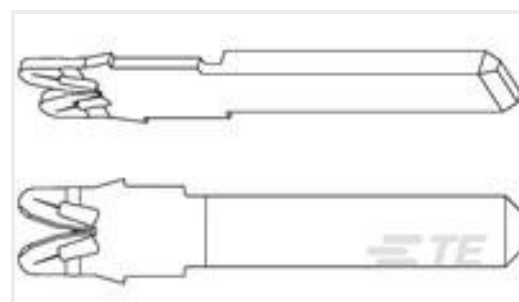
TE Part #1-1633733-0
ANVIL, WIRE



TE Part #2266562-2
OCEAN-2.0-APPLICATOR-S-098F100O-RSA



TE Part #2266194-2
OCEAN_2.0_APPLICATOR-S-051F094O-RSA



TE Part #3-1601008-2
.118 X .025 TAB STD SIAMEZE



TE Part #776683-2
Plug Kit, RG-59, Fakra, 90 Deg, Unassemb



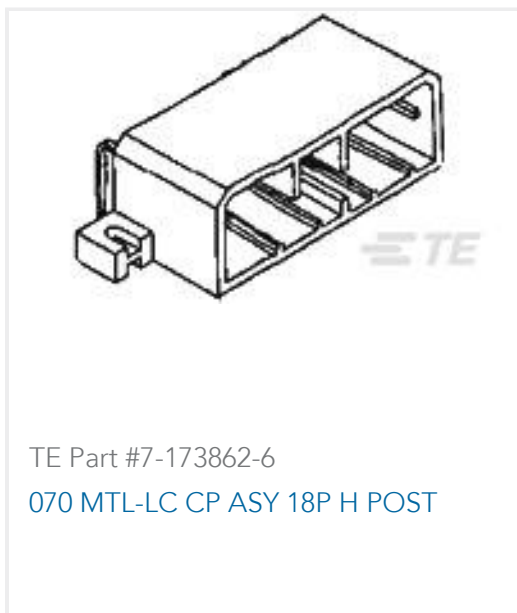
TE Part #3-1633713-8
CRIMPER, WIRE PREMIUM



KIT
REPRESENTATION ONLY
TE Part #7-2836562-7
OC-102F116O-CRIMPTOOLINGKIT



TE Part #CAT-G3353-CH8172
GET .64 CONNECTOR SYSTEM, CONNECTOR HSG



Documents

Product Drawings

[SPACER, RG71/U M](#)

English

CAD Files

Customer View Model

[ENG_CVM_1274233-3_E.3d_igs.zip](#)

English

Customer View Model

[ENG_CVM_1274233-3_E.3d_stp.zip](#)

English

Customer View Model

[ENG_CVM_1274233-3_E.2d_dxf.zip](#)

English

3D PDF

English

By downloading the CAD file I accept and agree to the [Terms and Conditions](#) of use.

Product Specifications

[Application Specification](#)

English

[Application Specification](#)

English