



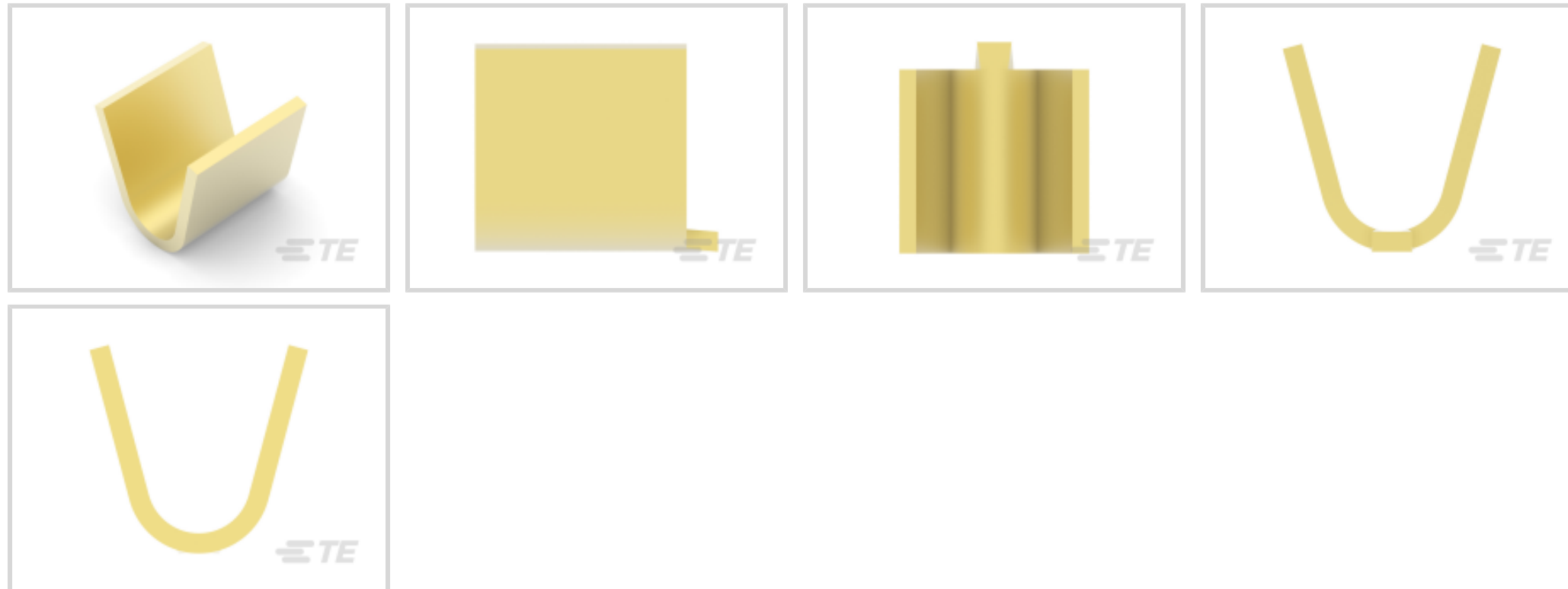
SPLICE

TE Internal #: 1217967-1

Parallel Splice, 11 – 8 AWG, 4.31 – 7.1 mm² Wire, 1 Splice Capacity, Serrated, 8500 – 14000 CMA, Brass, 4 Serration, 6.78 mm [.267 in] Length, SPLICE

[View on TE.com >](#)

Terminals & Splices > Splices



Splice Type: **Parallel Splice**

Wire Size: **4.31 – 7.1 mm²**

Sealable: **No**

Splice Capacity: **1**

Features

Packaging Features

Packaging Quantity	3500
Packaging Method	Reel

Body Features

Product Weight	.506 g [.018 oz]
Splice Features	Serrated

Product Type Features

Splice Type	Parallel Splice
Sealable	No
Compatible With Discrete Wire Type	Solid, Stranded
Wire Insulation Support Retention Type	Non-Insulation Support

Configuration Features

Splice Capacity	1
Number of Serrations	4
Compatible With Wire & Cable Type	Discrete Wire



Contact Features

Contact Base Material	Brass
Barrel Type	Open

Mechanical Attachment

Wire Insulation Support	Without
-------------------------	---------

Dimensions

Wire Size	8500 – 14000 CMA
Terminal Material Thickness	.64 mm[.025 in]
Product Length	6.78 mm[.267 in]

Usage Conditions

Insulation Option	Uninsulated
Operating Temperature Range	-40 – 110 °C[-40 – 230 °F]

Operation/Application

Compatible With Wire Base Material	Copper
------------------------------------	--------

Industry Standards

Government Qualified Splice	No
-----------------------------	----

Other

EU RoHS Compliance	Compliant
EU ELV Compliance	Compliant

Product Compliance

[For compliance documentation, visit the product page on TE.com>](#)

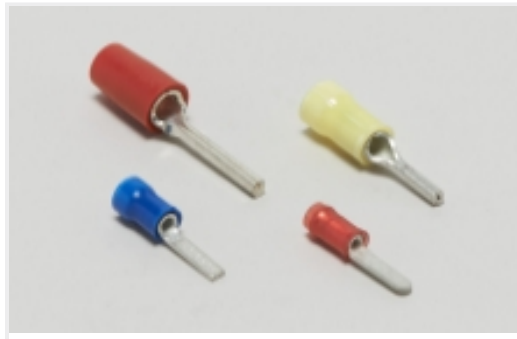
EU RoHS Directive 2011/65/EU	Compliant
EU ELV Directive 2000/53/EC	Compliant
China RoHS 2 Directive MIIT Order No 32, 2016	No Restricted Materials Above Threshold
EU REACH Regulation (EC) No. 1907/2006	Current ECHA Candidate List: JUNE 2024 (241) Candidate List Declared Against: JUNE 2024 (241) Does not contain REACH SVHC
Halogen Content	Low Halogen - Br, Cl, F, I < 900 ppm per homogenous material. Also BFR/CFR/PVC Free
Solder Process Capability	Not applicable for solder process capability

Product Compliance Disclaimer

This information is provided based on reasonable inquiry of our suppliers and represents our current actual knowledge based on the information they provided. This information is subject to change. The part numbers that TE has identified as EU RoHS compliant have a maximum concentration of 0.1% by weight in homogenous materials for lead, hexavalent chromium, mercury, PBB, PBDE, DBP, BBP, DEHP, DIBP, and 0.01% for cadmium, or qualify for an exemption to these limits as defined in the Annexes of Directive 2011/65/EU (RoHS2). Finished electrical and electronic equipment products will be CE marked as required by Directive 2011/65/EU. Components may not be CE marked. Additionally, the part numbers that TE has identified as EU ELV compliant have a maximum concentration of 0.1% by weight in homogenous materials for lead, hexavalent chromium, and mercury, and 0.01% for cadmium, or qualify for an exemption to these limits as defined in the Annexes of Directive 2000/53/EC (ELV). Regarding the REACH Regulation, the information TE provides on SVHC in articles for this part number is based on the latest European Chemicals Agency (ECHA) 'Guidance on requirements for substances in articles' posted at this URL: <https://echa.europa.eu/guidance-documents/guidance-on-reach>

Compatible Parts

Also in the Series | **SPLICE**



Crimp Wire Pins, Tabs & Ferrules(1)



Splices(63)

Customers Also Bought



TE Part #31811
TERMINAL,SOLIS R 4 1/4



TE Part #58246-3
MTA 100 CRIMP HEAD PRODUCTION
RBBN CABLE



TE Part #3-520132-2
ULTRAFAST 250 ASSY FLAG REC 16-
14 TPBR



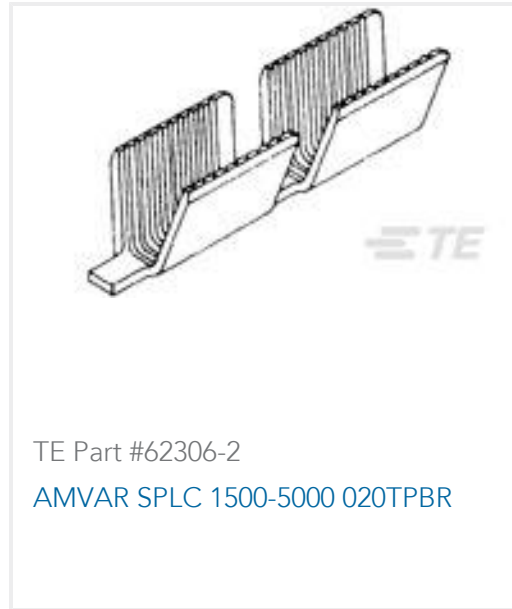
TE Part #1217824-1
TERM,POKE-IN,MAG-MATE



TE Part #485043-2
SPLICE 4000-9000 .020 TPBR



TE Part #62833-1
MAG-MATE POKE-IN TERM 016TPBR



TE Part #62306-2
AMVAR SPLC 1500-5000 020TPBR



TE Part #725996-2
110 FASTON TAB TPBR



TE Part #40552
SPLICE 3300 TO 9000 CMA TPBR



TE Part #63459-2
MAG-MATE 250 F-TAB 15-16 TPBR

Documents

Product Drawings

[SPLICE 8500-14000 .025 BR](#)

English

CAD Files

[3D PDF](#)

3D

Customer View Model

[ENG_CVM_CVM_1217967-1_D.2d_dxf.zip](#)

1217967-1

Parallel Splice, 11 – 8 AWG, 4.31 – 7.1 mm² Wire, 1 Splice Capacity, Serrated, 8500 – 14000 CMA, Brass, 4 Serration, 6.78 mm [.267 in] Length, SPLICE



English

Customer View Model

[ENG_CVM_CVM_1217967-1_D.3d_igs.zip](#)

English

Customer View Model

[ENG_CVM_CVM_1217967-1_D.3d_stp.zip](#)

English

By downloading the CAD file I accept and agree to the [Terms and Conditions](#) of use.

Product Specifications

[Application Specification](#)

English