

1217956-1 ✓ ACTIVE

FASTON | FASTON 312

TE Internal #: 1217956-1

TE Internal Description: 312 FASTON,PCB TAB,TCBR

[View on TE.com >](#)



Product Compliance

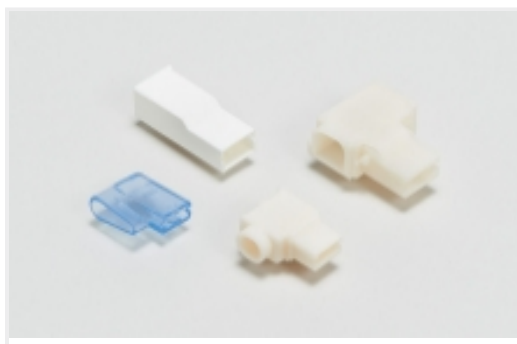
[For compliance documentation, visit the product page on TE.com>](#)

EU RoHS Directive 2011/65/EU	Compliant
EU ELV Directive 2000/53/EC	Compliant
China RoHS 2 Directive MIIT Order No 32, 2016	No Restricted Materials Above Threshold
EU REACH Regulation (EC) No. 1907/2006	Current ECHA Candidate List: JUNE 2024 (241) Candidate List Declared Against: JUNE 2024 (241) Does not contain REACH SVHC
Halogen Content	Low Halogen - Br, Cl, F, I < 900 ppm per homogenous material. Also BFR/CFR/PVC Free
Solder Process Capability	Wave solder capable to 265°C

Product Compliance Disclaimer

This information is provided based on reasonable inquiry of our suppliers and represents our current actual knowledge based on the information they provided. This information is subject to change. The part numbers that TE has identified as EU RoHS compliant have a maximum concentration of 0.1% by weight in homogenous materials for lead, hexavalent chromium, mercury, PBB, PBDE, DBP, BBP, DEHP, DIBP, and 0.01% for cadmium, or qualify for an exemption to these limits as defined in the Annexes of Directive 2011/65/EU (RoHS2). Finished electrical and electronic equipment products will be CE marked as required by Directive 2011/65/EU. Components may not be CE marked. Additionally, the part numbers that TE has identified as EU ELV compliant have a maximum concentration of 0.1% by weight in homogenous materials for lead, hexavalent chromium, and mercury, and 0.01% for cadmium, or qualify for an exemption to these limits as defined in the Annexes of Directive 2000/53/EC (ELV). Regarding the REACH Regulation, the information TE provides on SVHC in articles for this part number is based on the latest European Chemicals Agency (ECHA) 'Guidance on requirements for substances in articles' posted at this URL: <https://echa.europa.eu/guidance-documents/guidance-on-reach>

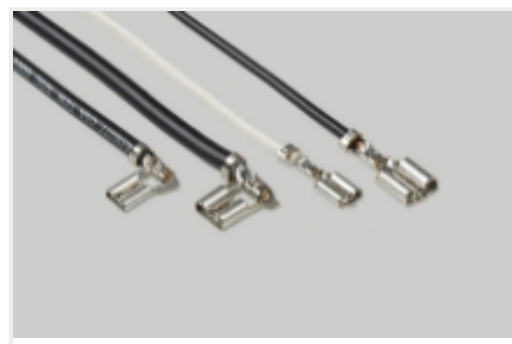
Also in the Series | **FASTON 312**



Crimp Terminal Housings(3)



PCB Terminals(1)



Quick Disconnects(8)

Customers Also Bought



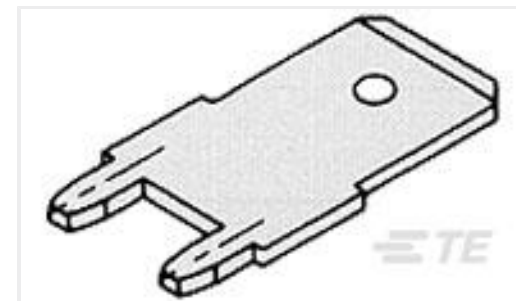
TE Part #1-1418469-1
6POS,AMP MCP1.5K,REC. HSG,CODA



TE Part #965784-1
connector ABDECKKAPPE 180GRD



TE Part #63820-1
312 FASTON REC 14-10 AWG SPBR



TE Part #63900-1
250 FASTON TAB TPBR



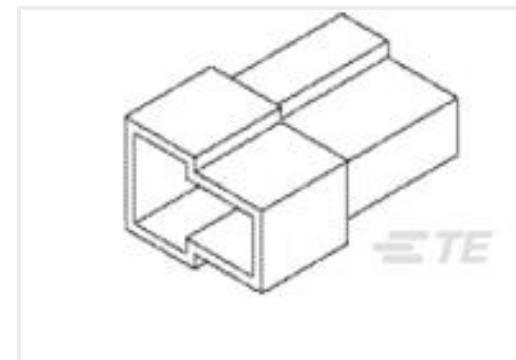
TE Part #T4110012041-000
M12 F, 4P GOLD A_CODE S
SHIELDED PG9



TE Part #927777-3
JUNIOR POWER TIMER CONTACT



TE Part #1564324-2
AMP MCP 1.5K, CONTACT, SWS



TE Part #1-180908-0
FF 250 TAB HSG 2P NYLON NAT



TE Part #1-2176580-5
RLC73K 2B R845 1% 1K RL



TE Part #215083-8
MICRO-MATCH MOW.08P

Documents

Product Drawings

312 FASTON,PCB TAB,TCBR

English

CAD Files

3D PDF

3D

Customer View Model

ENG_CVM_CVM_1217956-1_E.2d_dxf.zip



English

Customer View Model

[ENG_CVM_CVM_1217956-1_E.3d_igs.zip](#)

English

Customer View Model

[ENG_CVM_CVM_1217956-1_E.3d_stp.zip](#)

English

By downloading the CAD file I accept and agree to the [Terms and Conditions](#) of use.

Product Specifications

[Application Specification](#)

English

Agency Approvals

[CSA Certificate](#)

English

[CSA Certificate](#)

English